

SIRUBA

GAGE PARTS LIST

Series

F007K / F858K

F007KD / F858KD

Remark

Page

1 / 3

Date

2013/07/06

MODEL	SUB-CLASS	NEEDLE CLAMP	NEEDLE PLATE	MAIN FEED DOG	DIFF. FEED DOG	PRESSER FOOT	LOOPER	SPREADER	NEEDLE							
機 型	規 格	針 座	針 板	主送具	差送具	壓 具	勾 針	上 叉	使用針							
F007K(KD) F858K(KD)	W121 / FHA	240	M5240	E1534	D1206P	H1258	P2544A-A P2545A-A P2445-A P2445-A1	ME28	MH41	UYX128GAS#10						
		248	M5248	E1535												
		356	M5356	E1836												
	W122 / FHA	364	M5364	E1837	D1207P	H1259	P2544A-A P2545A-A P2445-A P2445-A1	ME28	MH41	UYX128GAS#10						
		240	M5240	E1524												
		248	M5248	E1525												
	W122 / FHA / UTK	356	M5356	E1826	D1207P	H1259	P2544A-A P2545A-A P2445-A P2445-A1	ME28	MH41	UYX128GAS#10						
		364	M5364	E1827												
		240	M5240	E1524												
	W122 / FHA / UTK	248	M5248	E1525	D1206P	H1258	P2544A-A P2545A-A P2445-A P2445-A1	ME28	MH41	UYX128GAS#10						
		356	M5356	E1826												
		364	M5364	E1827												
U122 / FP	232	M5232	E1623	D1206P	H1257	P4011-A	ME28	—	TVX5#14							
	W123 / FHA	240	M5240							E1514	D1206P	H1258	P2544A-A P2545A-A P2445-A P2445-A1	ME28	MH41	UYX128GAS#10
		248	M5248							E1515						
W162 / FHA	356	M5356	E1816	D1207P	H1259	P2544A-A P2545A-A P2445-A P2445-A1	ME28	MH41	UYX128GAS#10							
	364	M5364	E1817													
	356	M5356	E1846							D1207P	H1259	P2445-A P2445-A1	ME28A	MH41	TV#5#14~16	
364	M5364	E1847														
W222 / FQ	232	M5232	E3023	D1215	H1261	P1813K-A P1814K-A P1815K-A P2116K-A P2117K-A	ME28	MH41	UYX128GAS#10							
	240	M5240	E3024													
	248	M5248	E3025													
W222 / FQ	356	M5356	E3326	D1216	H1262	P2116K-A P2117K-A	ME28	MH41	UYX128GAS#10							
	356	M5356	E3327													
	364	M5364	E3327													

SIRUBA

MODEL COMPARE LIST

Series

F007K / F858K
F007KD / F858KD

Remark

Page

Date

2 / 3

2013/07/05

MODEL	SUB-CLASS	NEEDLE CLAMP	NEEDLE PLATE	MAIN FEED DOG	DIFF. FEED DOG	PRESSER FOOT	LOOPER	SPREADER	NEEDLE
機 型	規 格	針 座	針 板	主送具	差送具	壓 具	勾 針	上 叉	使用針
F007K(KD) F858K(KD)	U222 / FQ	M5240	E3024	D1215	H1261	P2314K-A	ME28	—	UYX128GAS#10
		M5248	E3025	D1215	H1261	P2315K-A			
		M5356	E3326	D1216	H1262	P2616K-A			
F007K F858K	W222 / FFD(FFP)	M5240	E3024	D1215	H1261	P1814K-A	ME28	MH41	UYX128GAS#10
		M5248	E3025	D1215	H1261	P1815K-A			
		M5356	E3326	D1216	H1262	P2116K-A			
F007K(KD) F858K(KD)	W222 / FSM	M5240P	E3024	D1215	H1261	P2314K-A	ME28	—	UYX128GAS#10
		M5248P	E3025	D1215	H1261	P2315K-A			
		M5364P	E3327	D1216	H1262	P2617K-A			
F007K(KD) F858K(KD)	W322 / FDC	M5356	E4826K	D1207P	H1359K	P2445-A	ME28	MH41	UYX128GAS#10
		M5364	E4827K	D1207P	H1262	P2445-A1			
		M5356	E4836K	D1207P	H1459-E	P2445-A1			
F007K F858K	W512 / FFC(FE)	M5240	E1524	D1206P	H1258	P2914-A	ME28	MH41	UYX128GAS#10
		M5248	E1525	D1206P	H1258	P2915-A			
		M5356	E1826	D1207P	H1259	P3216-A			
F007K F858K	U512 / FFC(FE)	M5240	E1524	D1206P	H1258	P3414-A	ME28	—	UYX128GAS#10
		M5248	E1525	D1206P	H1258	P3415-A			
		M5356	E1826	D1207P	H1259	P3716-A			
F007K F858K	U512 / FFC(FE)	M5364	E1827	D1207P	H1259	P3217-A	ME28	—	UYX128GAS#10
		M5240	E1524	D1206P	H1258	P3414-A			
		M5248	E1525	D1206P	H1258	P3415-A			
F007K F858K	U512 / FFC(FE)	M5356	E1826	D1207P	H1259	P3716-A	ME28	—	UYX128GAS#10
		M5364	E1827	D1207P	H1259	P3217-A			
		M5364	E1827	D1207P	H1259	P3717-A			

SIRUBA

GAGE PARTS LIST

Series
F007K / F858K
F007KD / F858KD

Remark

Page
3 / 3

Date
2014/03/17

MODEL	SUB-CLASS	NEEDLE CLAMP	NEEDLE PLATE	MAIN FEED DOG	DIFF. FEED DOG	PRESSER FOOT	LOOPER	SPREADER	NEEDLE										
機 型	規 格	針 座	針 板	主送具	差送具	壓 具	勾 針	上 叉	使用針										
										F007K(KD)	232	M5232	E6023	D2221	H2267K	P2813K-A	ME28	MH41	UYX128GAS#10
										F858K(KD)	240	M5240	E6024	D2221	H2267K	P2814K-A	ME28	MH41	UYX128GAS#10
											248	M5248	E6025	D2222	H2267K	P2815K-A	ME28	MH41	UYX128GAS#10
											356	M5356	E6326	D2222	H2268K	P3116K-A			
											364	M5364	E6327	D2222	H2268K	P3117K-A			
											232	M5232	E6023R	D2221	H2267R	P1813K-A	ME28	MH41	UYX128GAS#10
											240	M5240	E6024R	D2221	H2267R	P1814K-A	ME28	MH41	UYX128GAS#10
											256	M5356	E1836L	D1207P	H1259	P4000-A	ME28		TVX5#14~18
											264	M5364	E1837L	D1207P	H1259	P4001-A	ME28		TVX5#14~18
											264	M5264	E5827	D5207	H5259	P4117-A	FS03/04		DVX43#11~16
											264	M5264	E5827	D5207	H5259	P5117-A	FS03/04		DVX43#11~16
	264	M5264	E5927	D5307	H5359	P4217-A	FS03/04		DVX43#12~14										
	496	M5496	E5496	D5411	H5411	P5120-A1 (成品寬12mm用) P5121-A1 (成品寬14mm用)	FS03/04		UYX128GAS#10										
	4111	M5411	E5411	D5411	H5411		FS03/04		UYX128GAS#10										
	264	M5264	E5827	D5207	H5259	P5118-A (成品寬12mm用)	FS03/04		DVX43#11~16										
	388	M4388	E6828	D6207	H6259	P6117-A	FS03/04 /FY02	FY09	TV*7#12										
	456	M5456K	E1828Q	D1207Q	H1259Q	P2428K-A	FW28D	MH41	SM1014B#10 (MY1014B#70, SY7256)										
	460	M5460K	E1838Q	D1207Q	H1259Q	P2438K-A	FW28D	MH41	SM1014B#10 (MY1014B#70, SY7256)										
	464	M5464K	E1848Q	D1207P	H1259	P2448K-A	FW28D	MH41	SM1014B#10 (MY1014B#70, SY7256)										
	452	M5452	E1818	D1207P	H1259	P2418P-A	FW28D	MH41	SM1014B#10 (MY1014B#70, SY7256)										
	456	M5456	E1828	D1207P	H1259	P2428P-A	FW28D	MH41	SM1014B#10 (MY1014B#70, SY7256)										
	460	M5460	E1838	D1207P	H1259	P2438P-A	FW28D	MH41	SM1014B#10 (MY1014B#70, SY7256)										
	464	M5464	E1848	D1207P	H1259	P2448P-A	FW28D	MH41	SM1014B#10 (MY1014B#70, SY7256)										

SIRUBA

GAGE PARTS LIST

Series

F007KD

Remark

USE FOR FFT

Page

1 / 1

Date

2012/11/01

機 型	規 格	針 座	針 板	主送具	差送具	上送具	壓 具	勾 針	上 叉	NEEDLE
W121/FFT/FHA	240	M5240	E1534	D1207P	H1259	F7356N	P7364N-A	ME28	MH41	UYX128GAS#10
	248	M5248	E1535							
	356	M5356	E1836							
W121/FFT/FHA /UTG(UTJ)	364	M5364	E1837	D1207P	H1259	F7356N	P7364N-A	ME28	MH41	UYX128GAS#10
	240	M5240	E1524							
	248	M5248	E1525							
W122/FFT/FHA	356	M5356	E1826	D1207P	H1259	F7356N	P7364N-A	ME28	MH41	UYX128GAS#10
	364	M5364	E1827							
	240	M5240	E1524							
W122/FFT/FHA /UTG(UTJ)	248	M5248	E1525	D1206P	H1258	F7240N	P7240N-A	ME28	MH41	UYX128GAS#10
	356	M5356	E1826							
	364	M5364	E1827							
W122/FFT/FHA /UTG(UTJ)	240	M5240	E1524	D1207P	H1259	F7356N	P7364N-A	ME28	MH41	UYX128GAS#10
	248	M5248	E1525							
	356	M5356	E1826							
W122/FFT/FHA /UTG(UTJ)	364	M5364	E1827	D1207P	H1259	F7356N	P7364N-A	ME28	MH41	UYX128GAS#10
	240	M5240	E1524							
	248	M5248	E1525							

SIRUBA

GAGE PARTS LIST

Series
F007KD

Remark
USE FOR FFT

Page

Date

2 / 2

2012/11/01

MODEL	SUB-CLASS	NEEDLE CLAMP	NEEDLE PLATE	MAIN FEED DOG	DIFF. FEED DOG	TOP FEED DOG	PRESSER FOOT	LOOPER	SPREADER	NEEDLE
W131 /FFT /FHA	240	M5240	E7240FL	D7240F	H7240F	F7240F	P7240F-A	ME28	MH41	UYX128GAS#10
	248	M5248	E7248FL	D7356F	H7356F	F7356F	P7248F-A	ME28	MH41	
	356	M5356	E7356FL	D7356F	H7356F	F7356F	P7356F-A			
W131 /FFT /FHA /UTG(UTJ)	364	M5364	E7364FL	D7356F	H7356F	F7356F	P7364F-A	ME28	MH41	UYX128GAS#10
	240	M5240	E7240FM	D7240F	H7240F	F7240F	P7240F-A			
	248	M5248	E7248FM	D7356F	H7356F	F7356F	P7248F-A			
W1322 /FFT /FHA	356	M5356	E7356FM	D7356F	H7356F	F7356F	P7356F-A	ME28	MH41	UYX128GAS#10
	364	M5364	E7364FM	D7356F	H7356F	F7356F	P7364F-A			
	240	M5240	E7240FM	D7240F	H7240F	F7240F	P7240F-A			
W132 /FFT /FHA /UTG(UTJ)	248	M5248	E7248FM	D7356F	H7356F	F7356F	P7248F-A	ME28	MH41	UYX128GAS#10
	356	M5356	E7356FM	D7356F	H7356F	F7356F	P7356F-A			
	364	M5364	E7364FM	D7356F	H7356F	F7356F	P7364F-A			
U131 /FFT /FHA /FHK	248	M5248	E7248FL	D7240F	H7240F	F7240F	P7248U-A	ME28	—	UYX128GAS#10
	256	M5356	E7356FL	D7356F	H7356F	F7356F	P7256U-A			
	264	M5364	E7364FL	D7356F	H7356F	F7356F	P7264U-A			
U132 /FFT /FHA /FHK	248	M5248	E7248FM	D7240F	H7240F	F7240F	P7248U-A	ME28	—	UYX128GAS#10
	256	M5356	E7356FM	D7356F	H7356F	F7356F	P7256U-A			
	264	M5364	E7364FM	D7356F	H7356F	F7356F	P7264U-A			

SIRUBA

PARTS LIST

Series

F007K/F007KD
F858K/F858KD

Parts Group

MA-K

Subclass / Remark

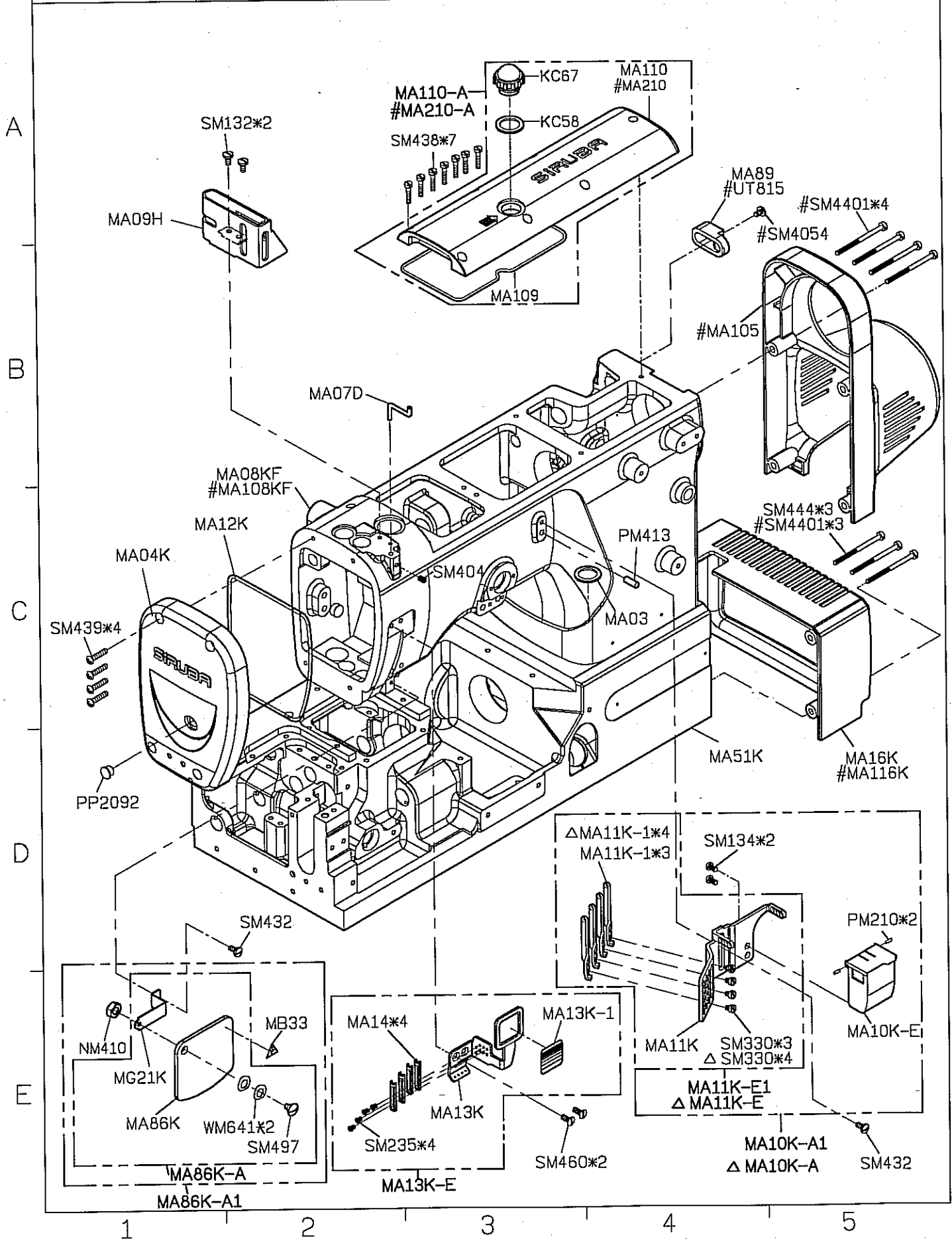
:Use for F007KD/F858KD
△ :Use for FW/FWP/FSM

Page

1/2

Date

2013/04/10



SIRUBA

PARTS LIST

Series

F007K/F007KD
F858K/F858KD

Parts Group

MA-K

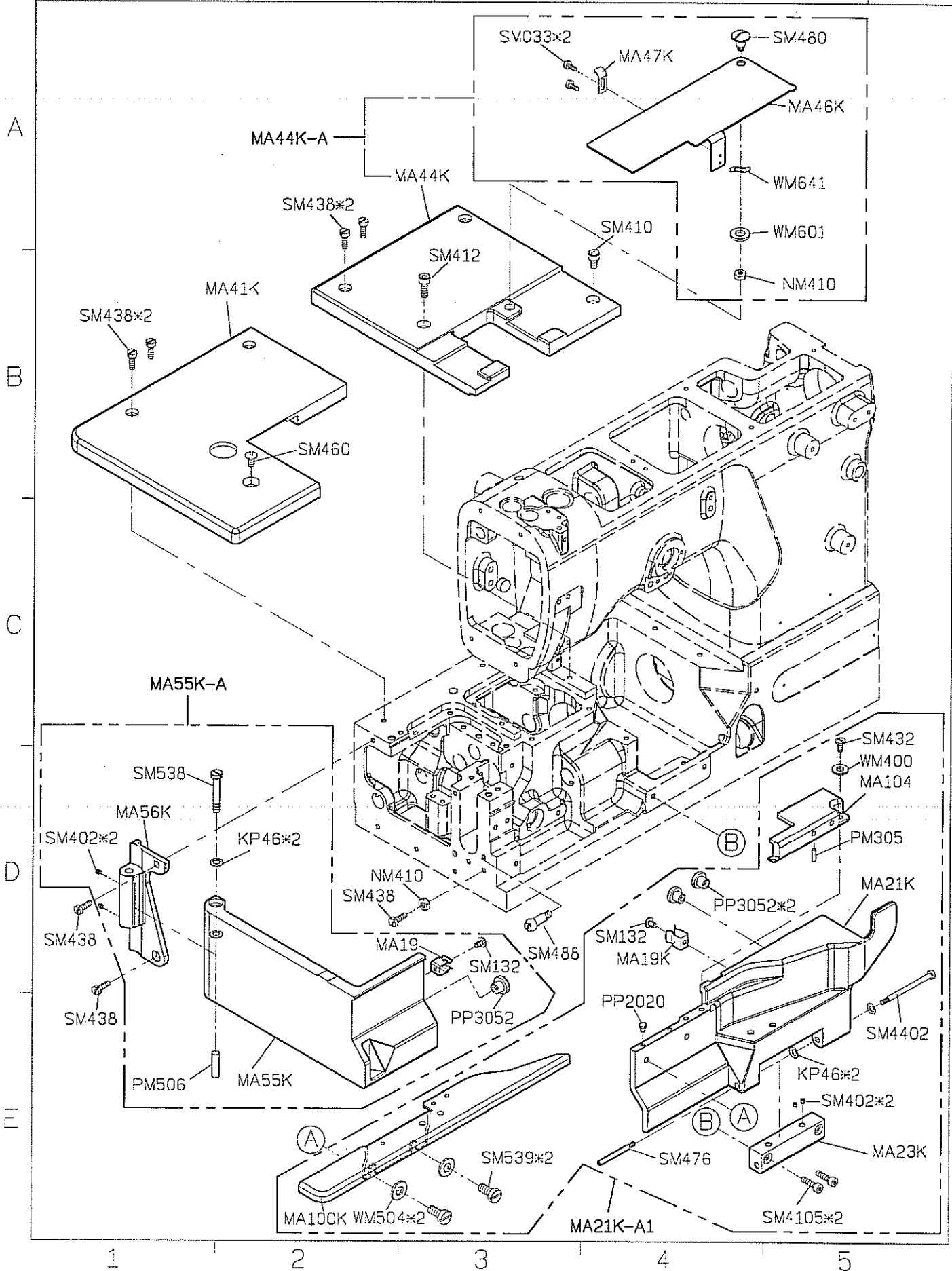
Subclass / Remark

Page

2/2

Date

2013/08/21



SIRUBA

PARTS LIST

Series

F007K/F007KD
F858K/F858KD

Parts Group

MB-K

Subclass / Remark

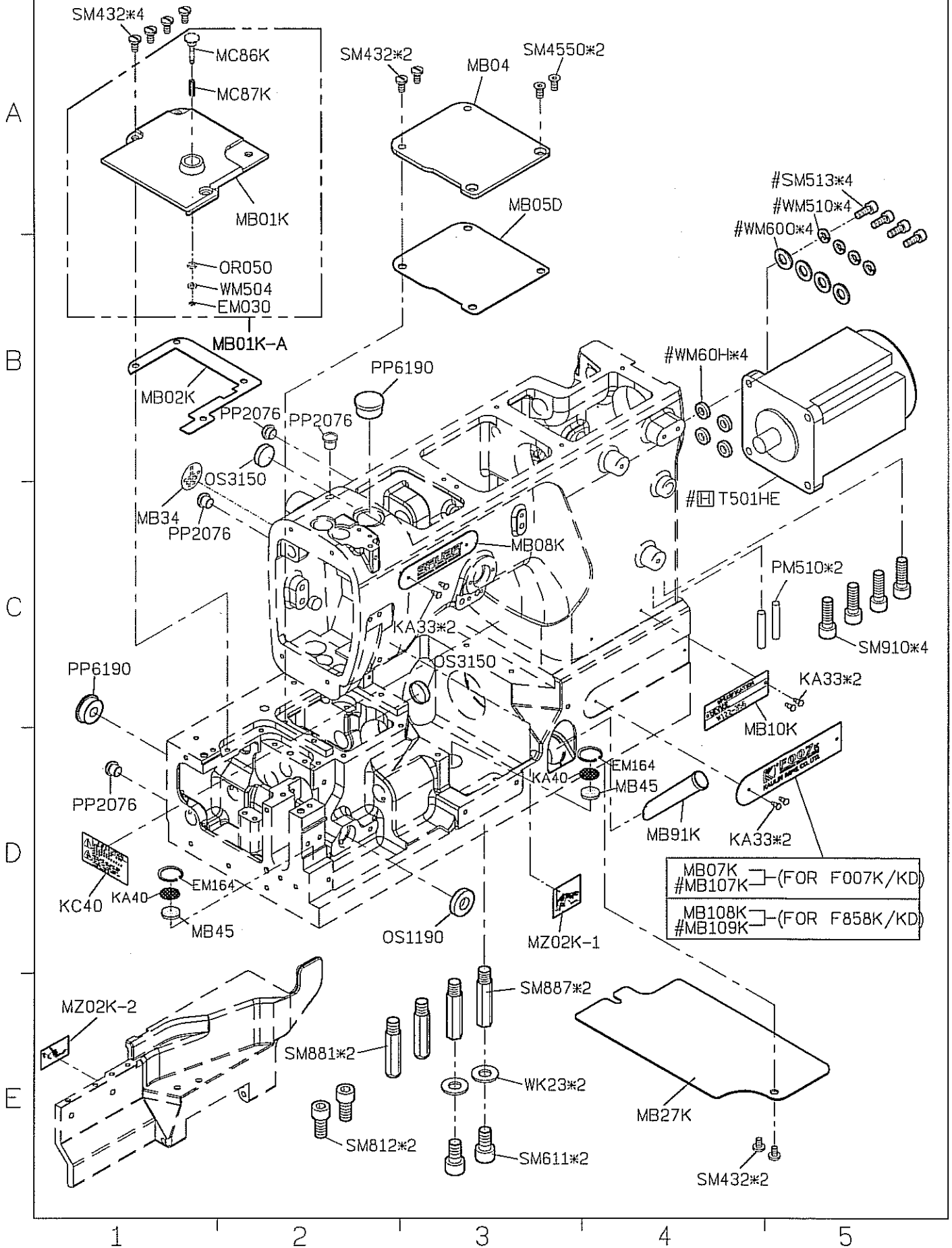
:Use for F007KD/F858KD

Page

1/1

Date

2013/02/23



SIRUBA

PARTS LIST

Series

F007K/F007KD
F858K/F858KD

Parts Group

MC-K

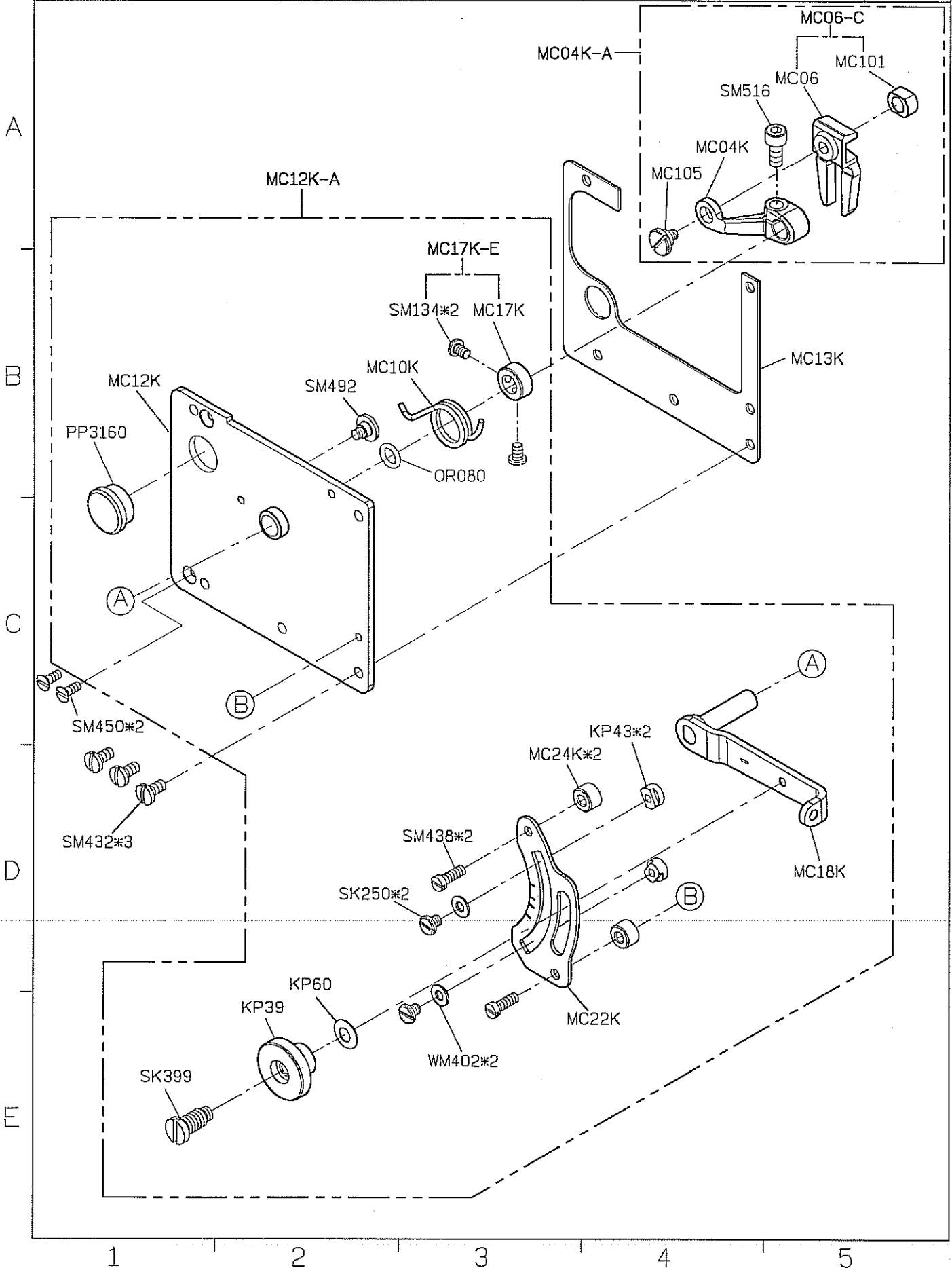
Subclass / Remark

Page

1/2

Date

2013/01/21



SIRUBA

PARTS LIST

Series

F007K/F007KD
F858K/F858KD

Parts Group

MC-K

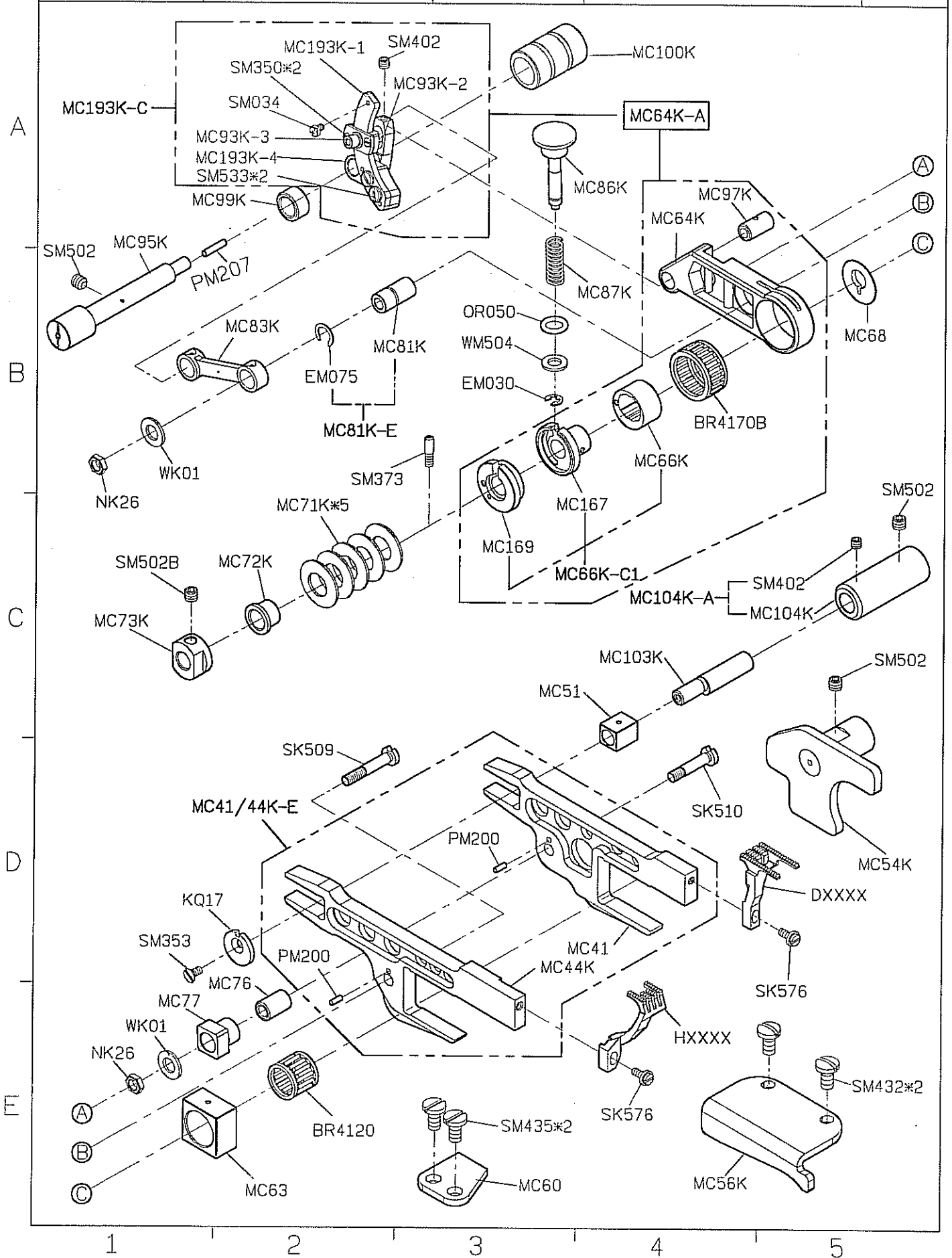
Subclass / Remark

Page

2/2

Date

2013/03/28



SIRUBA

PARTS LIST

Series

F007K/F007KD
F858K/F858KD

Parts Group

MD-K

Subclass / Remark

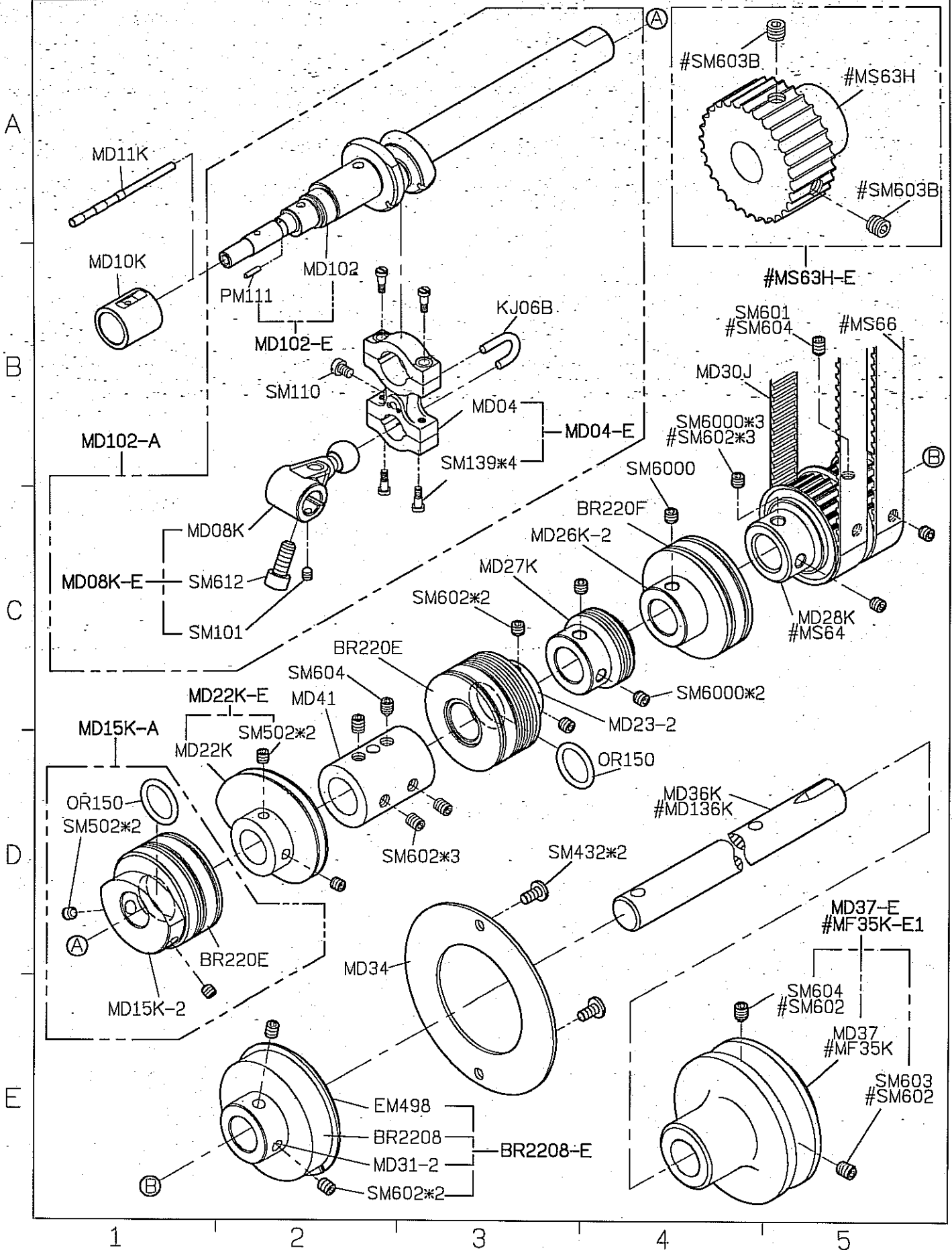
:Use for F007KD/F858KD

Page

1/1

Date

2013/11/28



SIRUBA

PARTS LIST

Series
F007K/F007KD
F858K/F858KD

Parts Group
ME-K

Subclass / Remark

Page

1/1

Date

2012/10/31

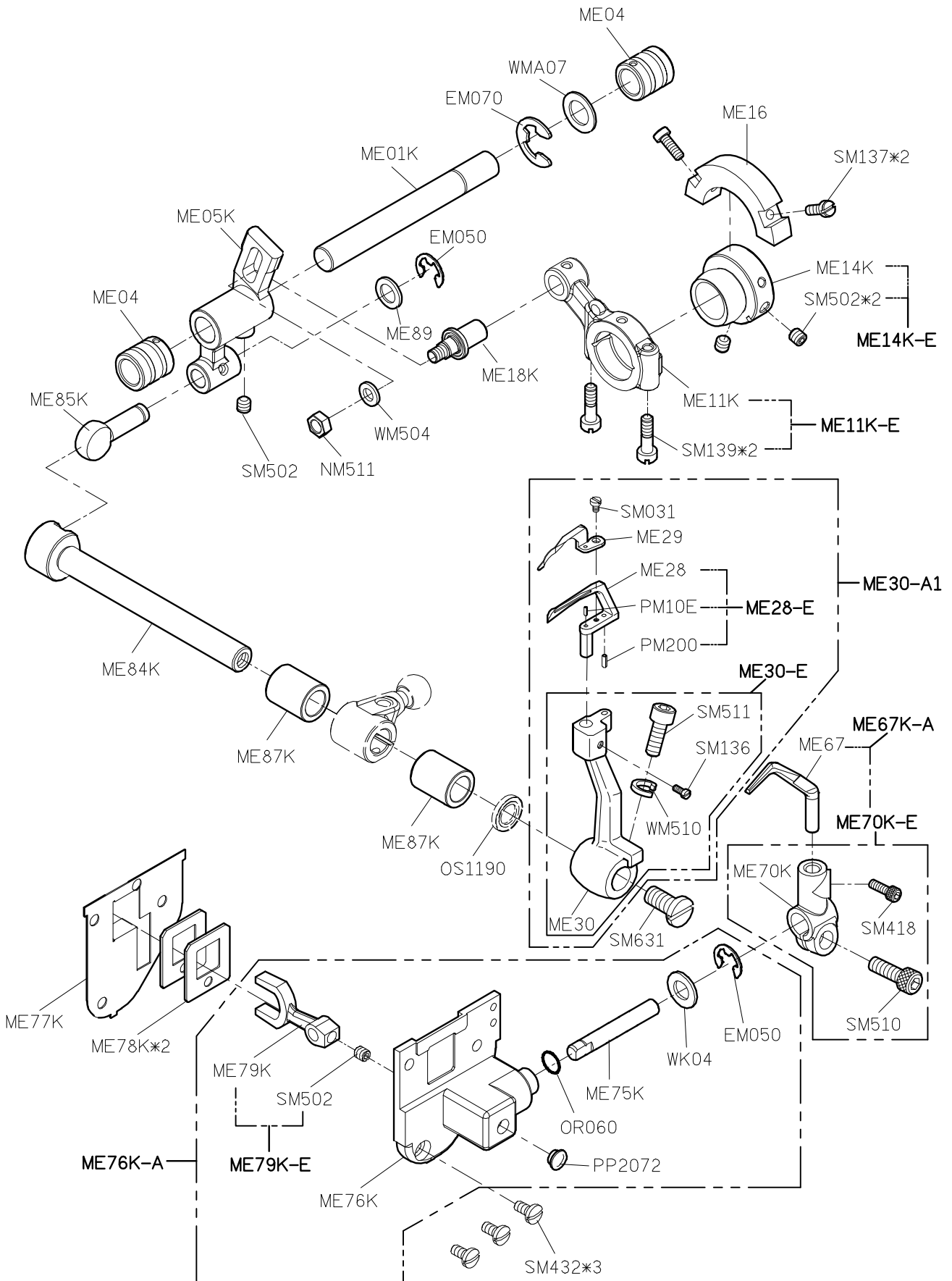
A

B

C

D

E



1

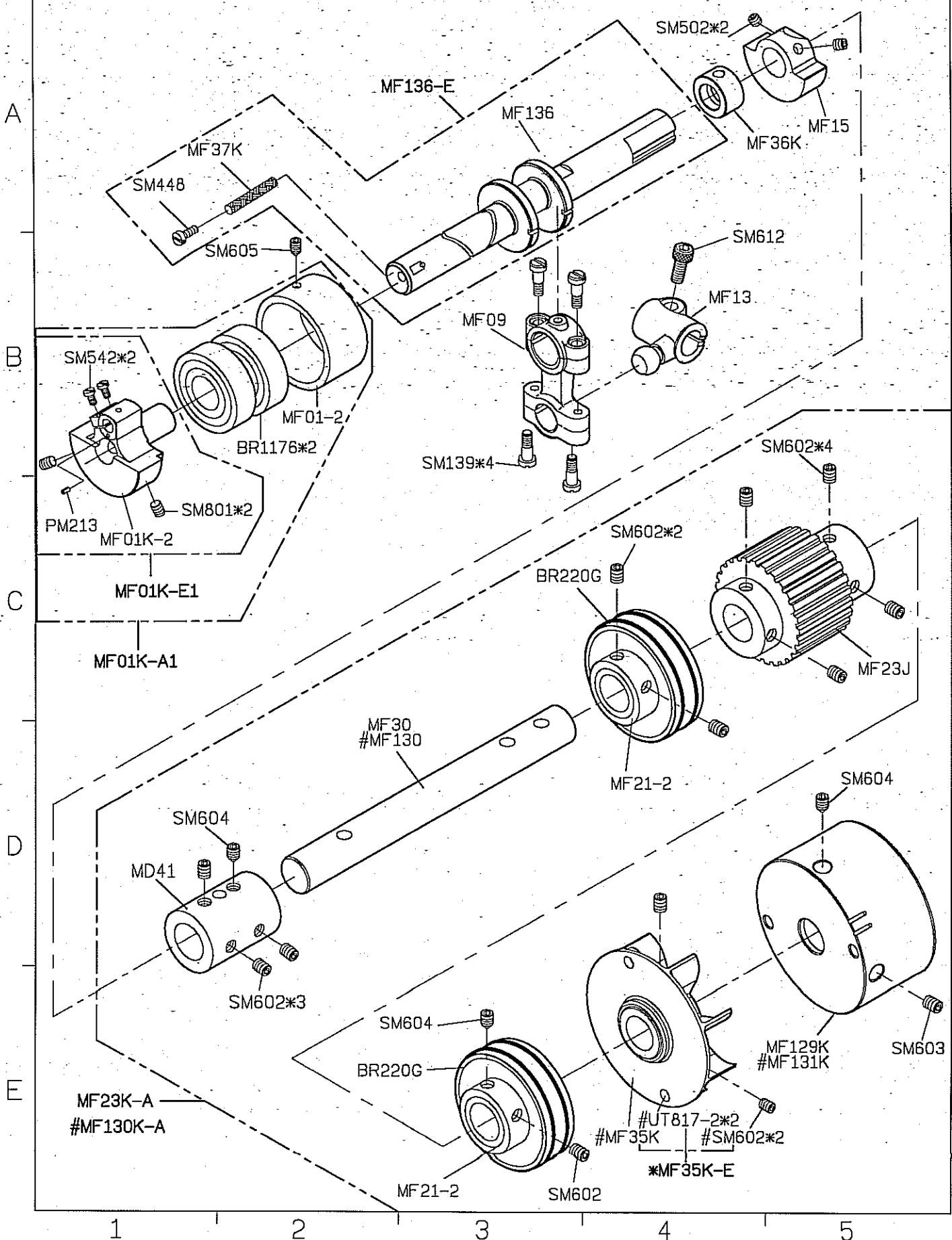
2

3

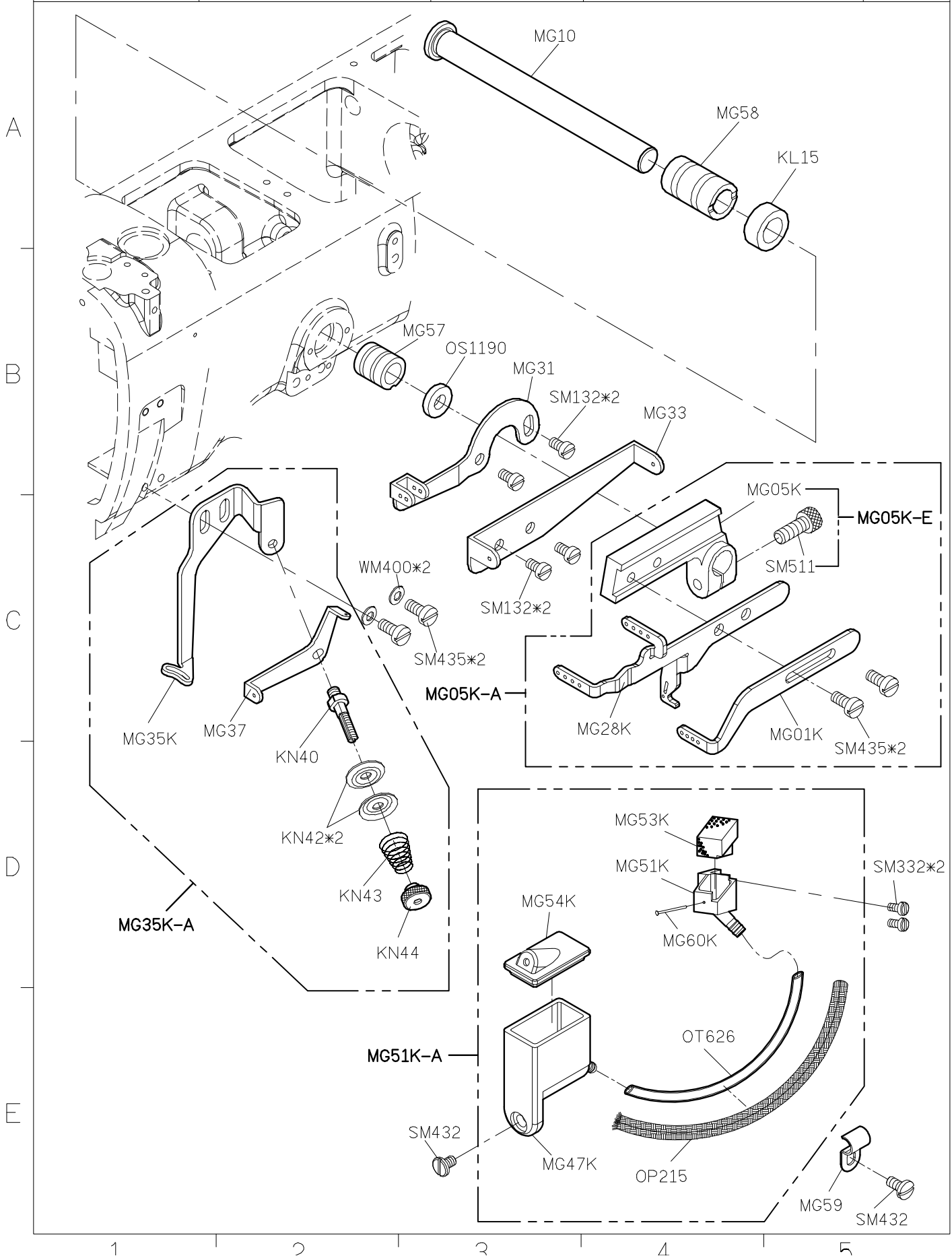
4

5

SIRUBA PARTS LIST	Series	Parts Group	Subclass / Remark	Page
	F007K/F007KD F858K/F858KD	MF-K	# :Use for F007KD/F858KD	1/1
				Date 2013/11/28



SIRUBA PARTS LIST	Series	Parts Group	Subclass / Remark	Page
	F007K/F007KD	MG-K		1/1
	F858K/F858KD		Date	
			2012/10/31	



SIRUBA
PARTS LIST

Series
F007K/F007KD
F858K/F858KD

Parts Group
MH-K

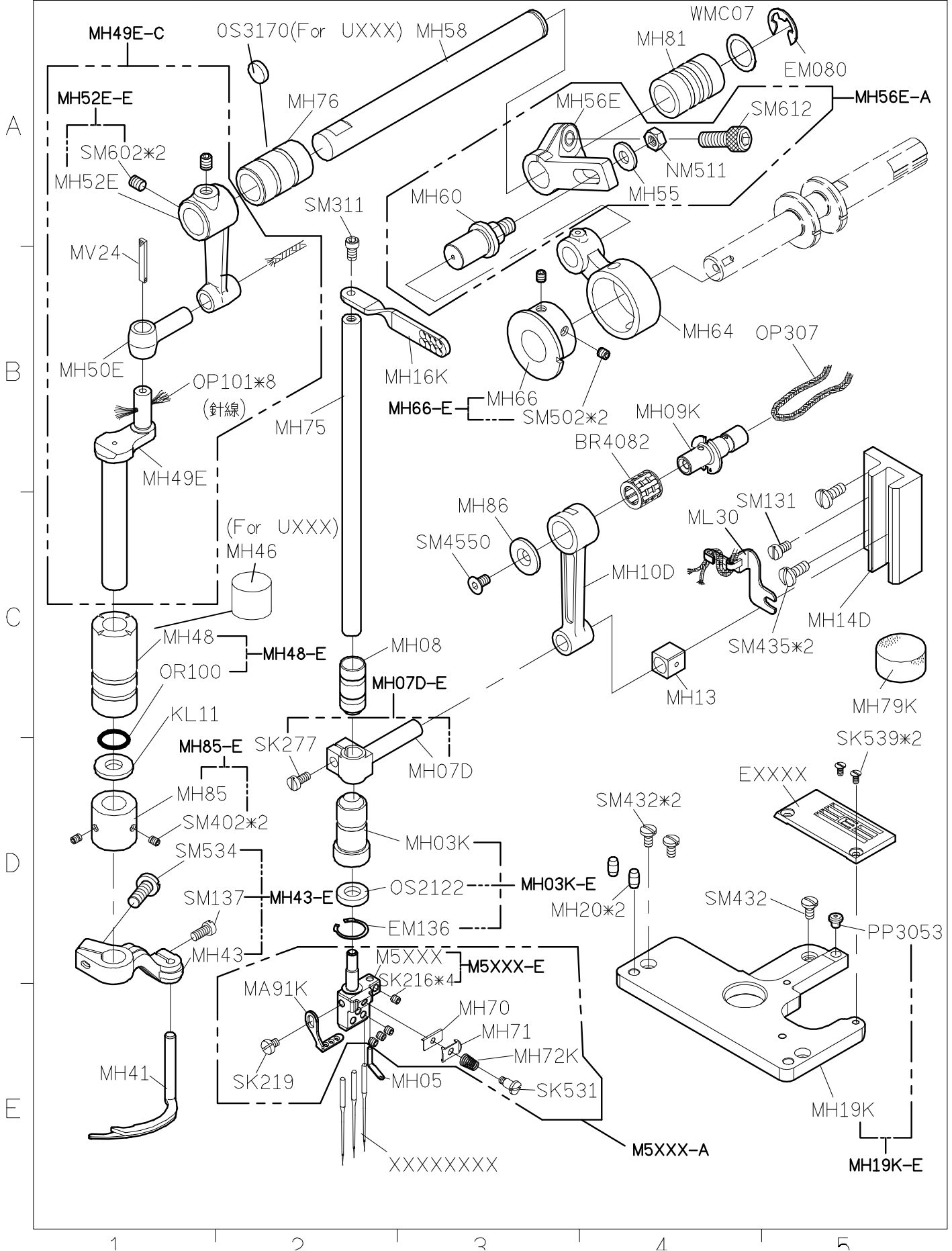
Subclass / Remark

Page

1/1

Date

2012/10/31



SIRUBA

PARTS LIST

Series

F007K/F007KD
F858K/F858KD

Parts Group

MJ-K

Subclass / Remark

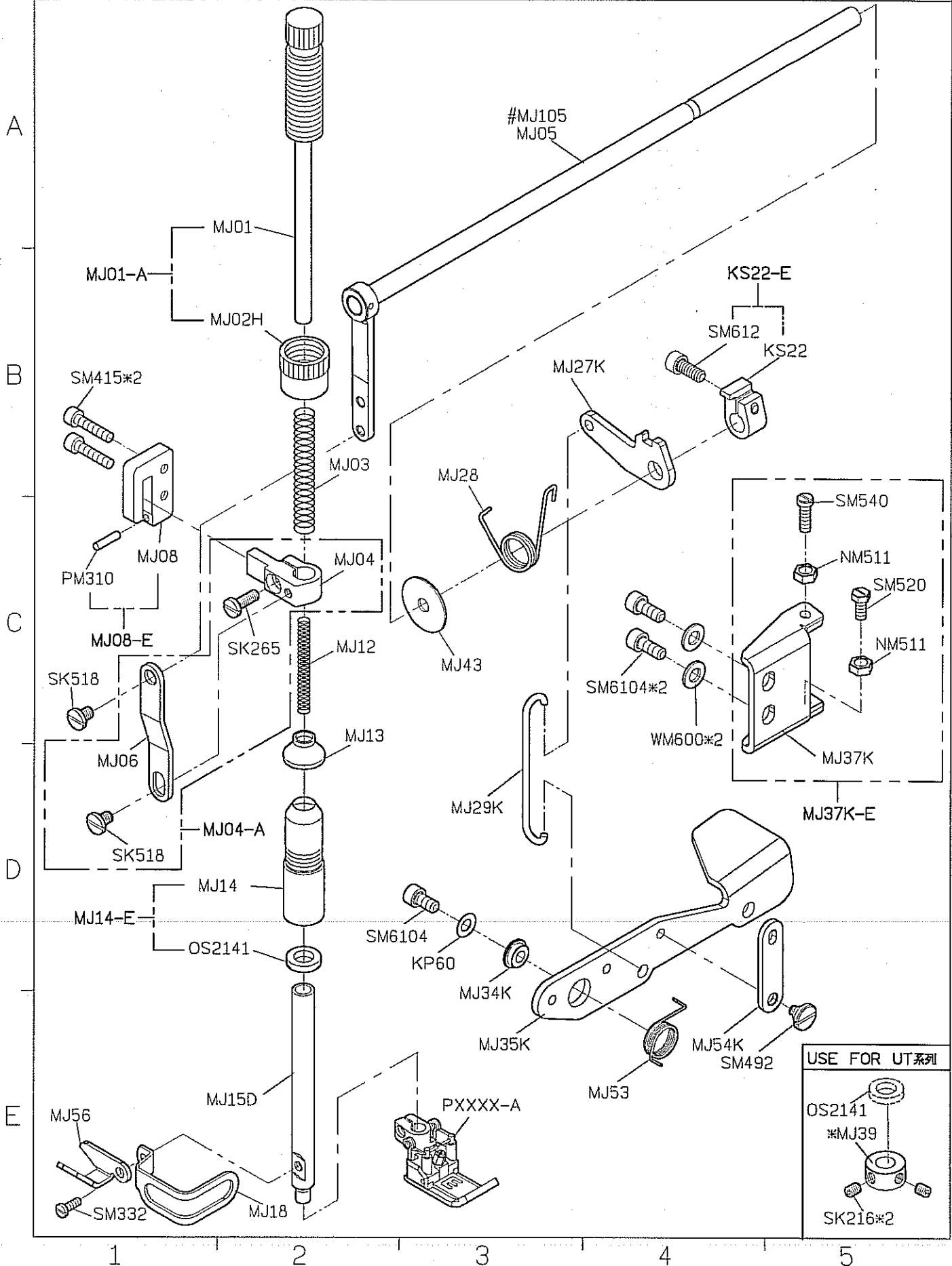
:Use for F007KD/F858KD

Page

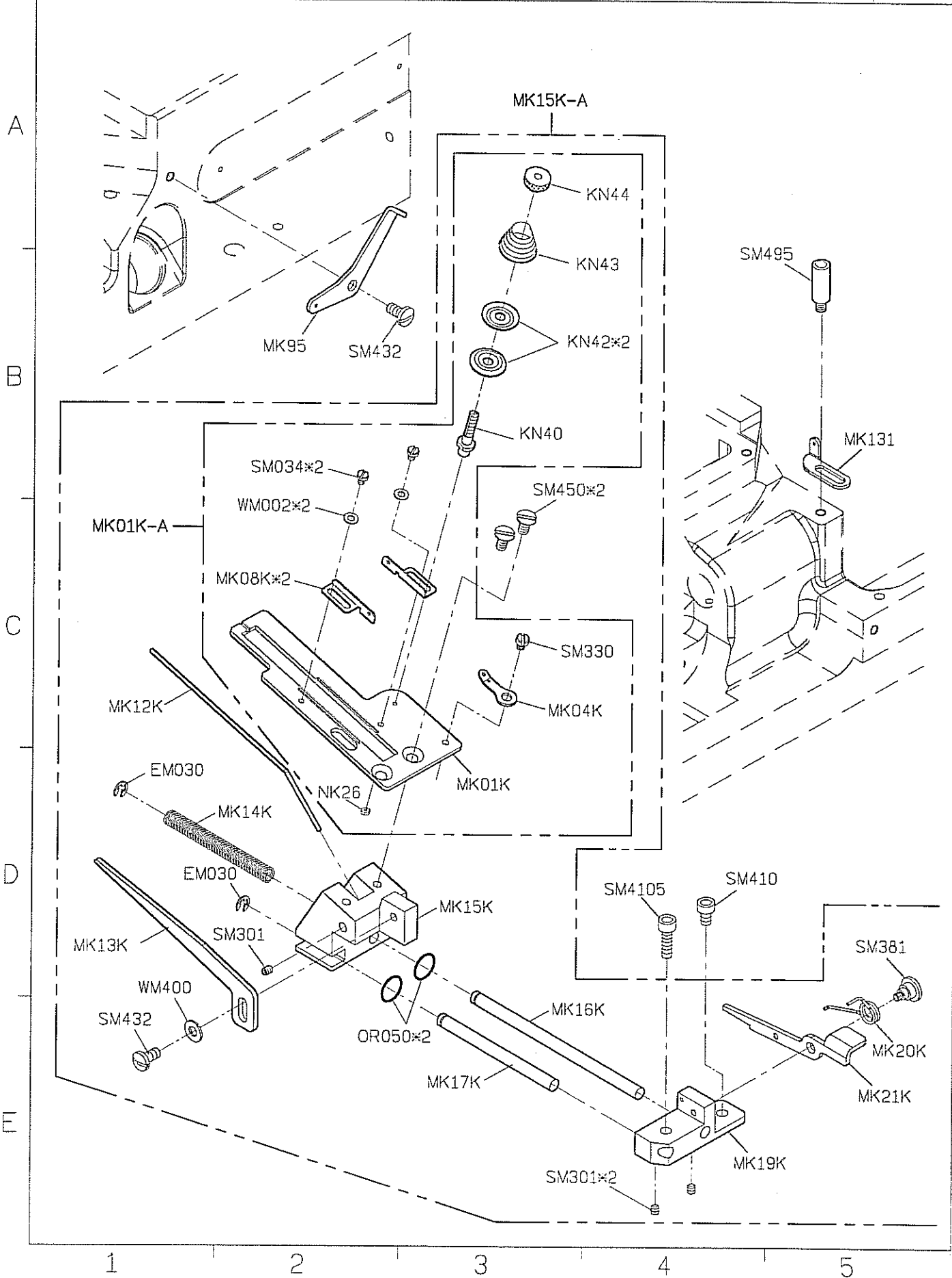
1/1

Date

2013/01/18



SIRUBA PARTS LIST	Series	Parts Group	Subclass / Remark	Page
	F007K/F007KD	MK-K		1/2
	F858K/F858KD			Date
				2013/08/07



SIRUBA

PARTS LIST

Series

**F007K/F007KD
F858K/F858KD**

Parts Group

MK-K

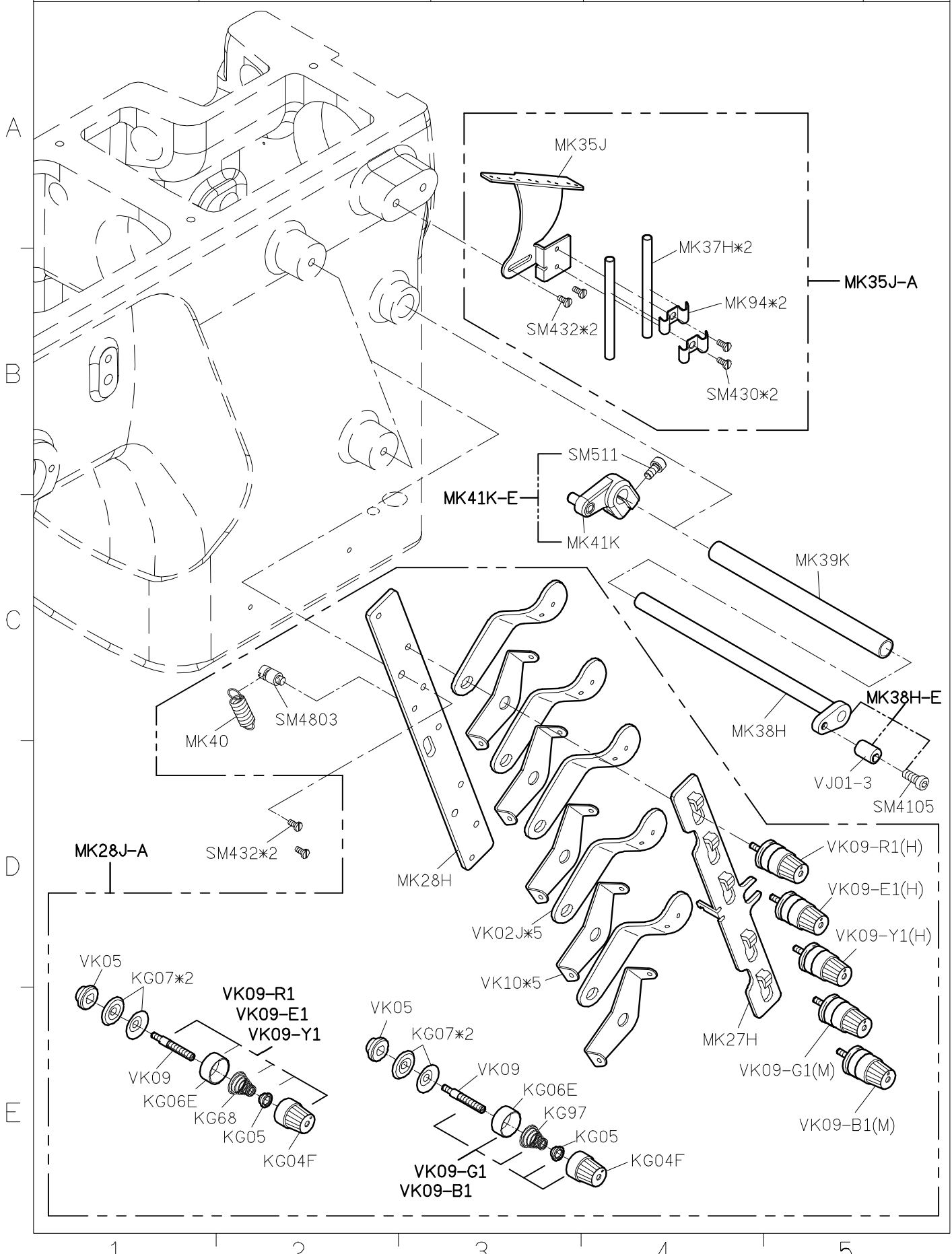
Subclass / Remark

Page

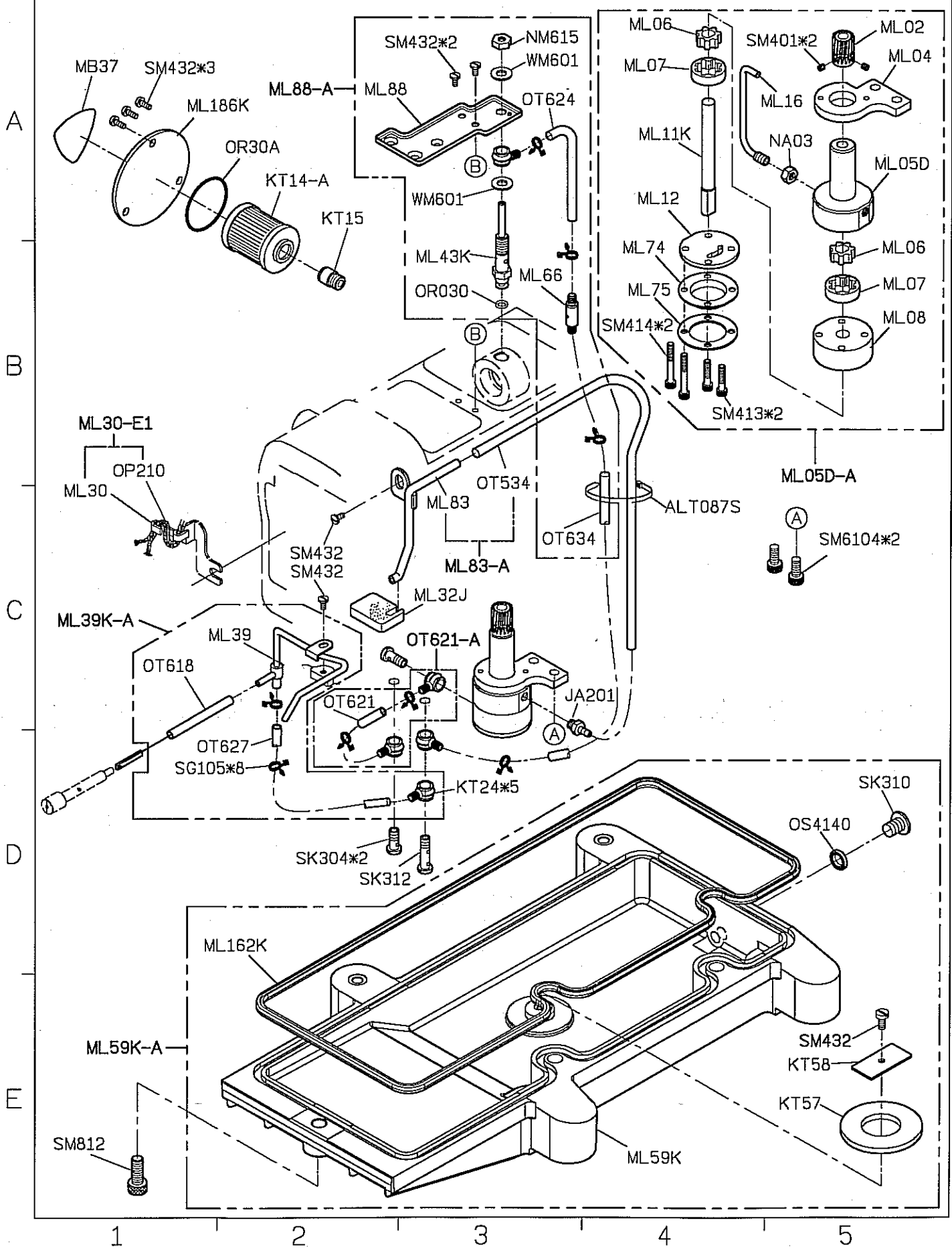
2/2

Date

2012/10/31



SIRUBA PARTS LIST	Series	Parts Group	Subclass / Remark	Page
	F007K/F007KD	ML-K		1/1
	F858K/F858KD			Date
				2013/04/11



SIRUBA

PARTS LIST

Series

**F007K/F007KD
F858K/F858KD**

Parts Group

MN-K

Subclass / Remark

Page

1/2

Date

2012/10/31

Semi-submerged

A

B

C

D

E

F007K-T
F007K-T1(FR)

KX05*4

MN02K-E

SM531*2

MN17*4

MN14-A

MN09

MN12

MN12-E*4

MN02K*2

MN15

KX08*4

MN13*4

MN16*4

KX08*4

MN14*4

KX206*3

TXXXXX-A
POWER CONTROL
BOX COMB

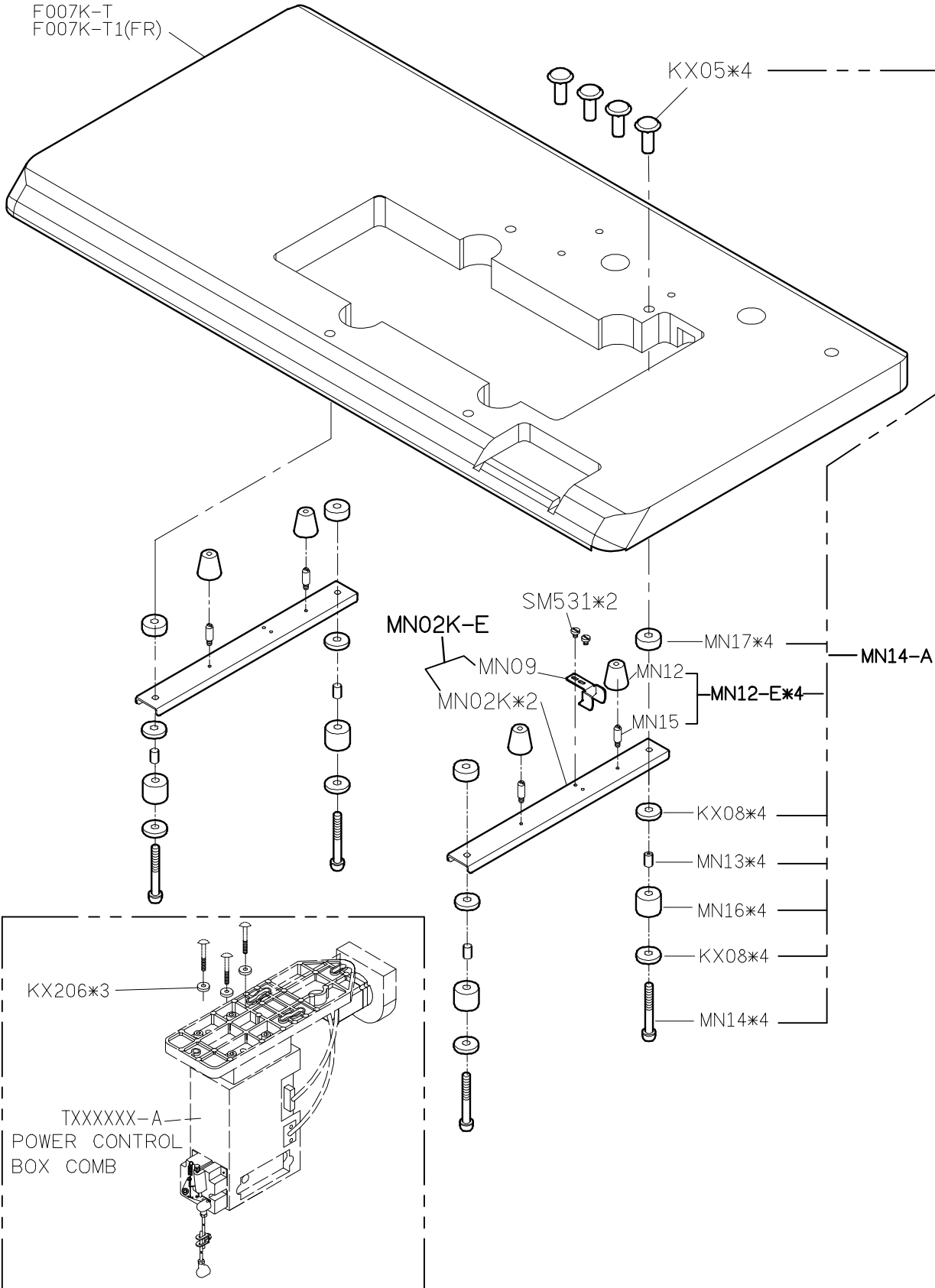
1

2

3

4

5



SIRUBA

PARTS LIST

Series
F007K/F007KD
F858K/F858KD

Parts Group
MN-K

Subclass / Remark

Page

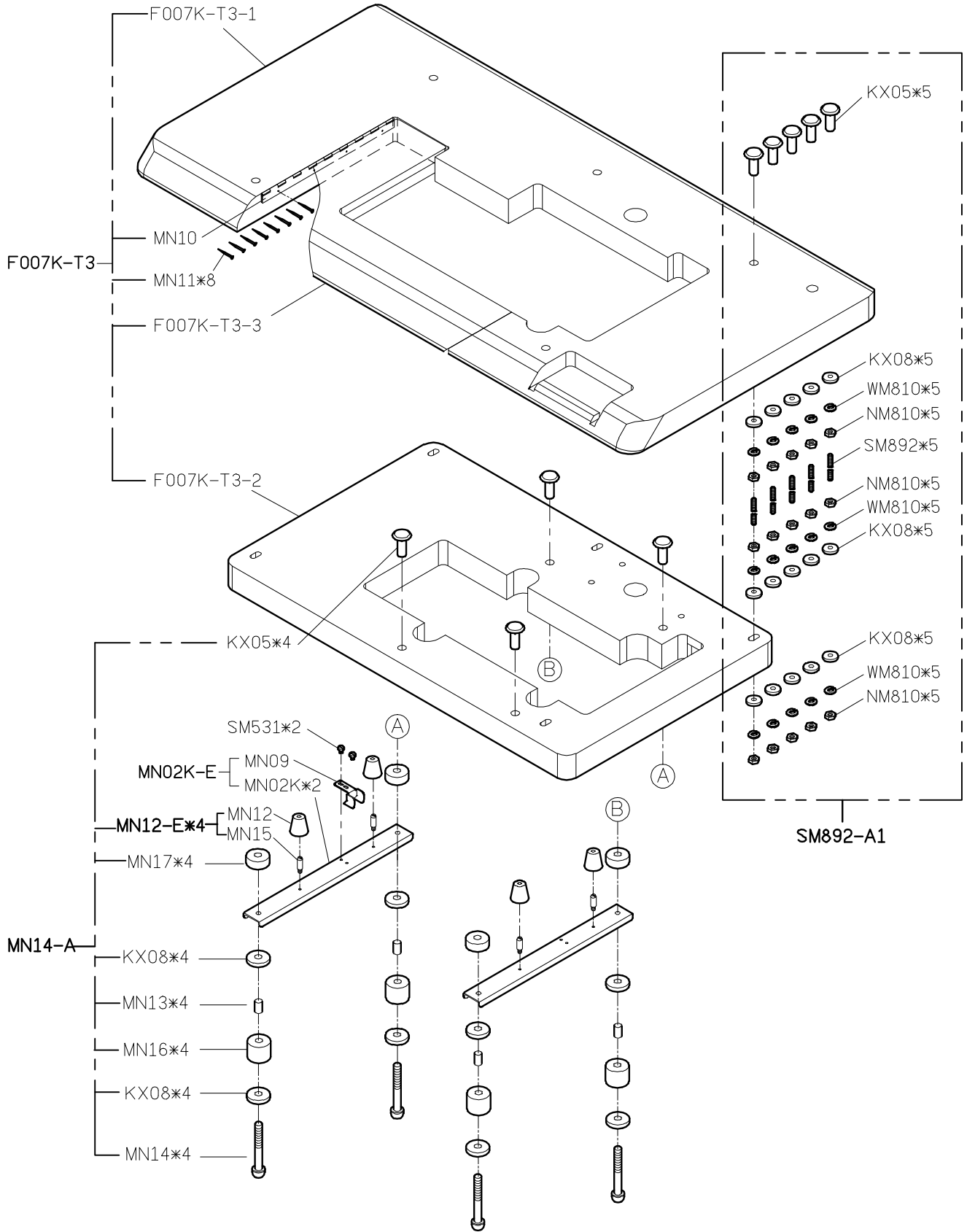
2/2

Date

2012/10/31

Fully-submerged





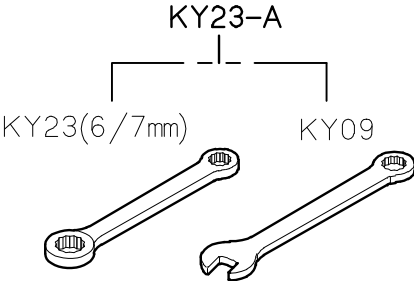
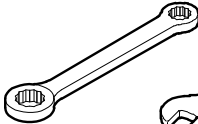
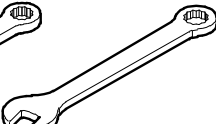
A
B
C
D
E



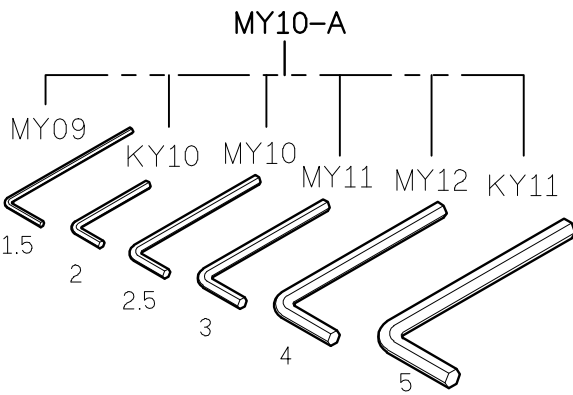


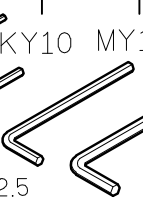

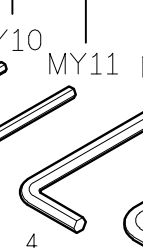
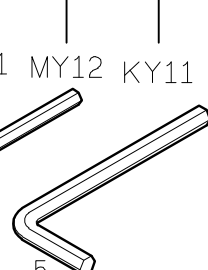
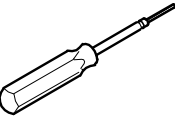
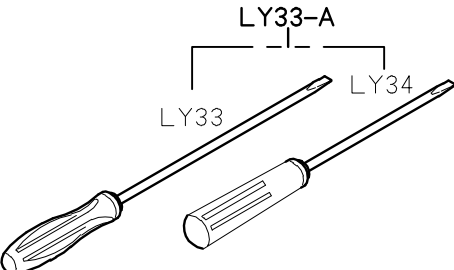
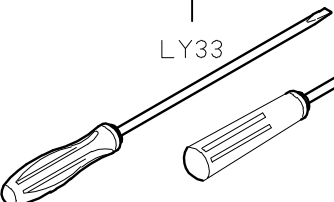
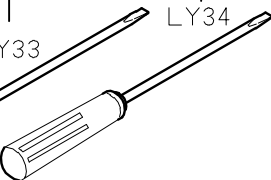
1 2 3 4 5

SIRUBA PARTS LIST	Series	Parts Group	Subclass / Remark	Page
	F007K/F007KD	MY-K		1/1
	F858K/F858KD		Date	
			2012/10/31	


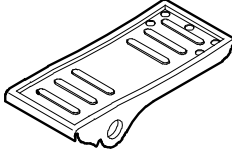
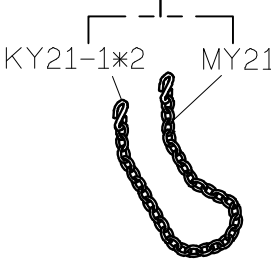



A

MY01  KY03  KY04  KY05-A  KY23-A  KY23(6/7mm)  KY09 

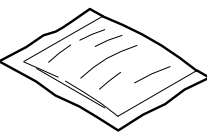
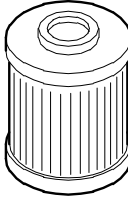

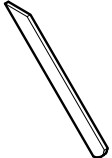
B

MY10-A  MY09  1.5 KY10  2 MY10  2.5 MY11  3 MY12  4 KY11  5 KY14  LY33-A  LY33  LY34 

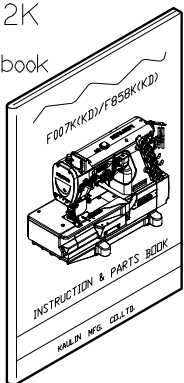
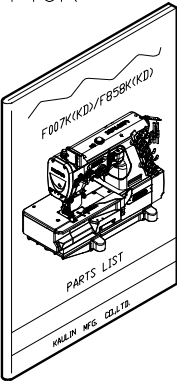
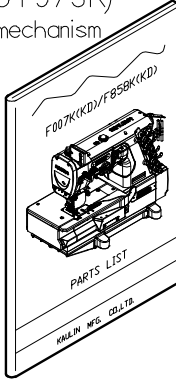
C

KY18  KY20D-A  MY21-E  KY21-1*2  MY21  KY201 

D

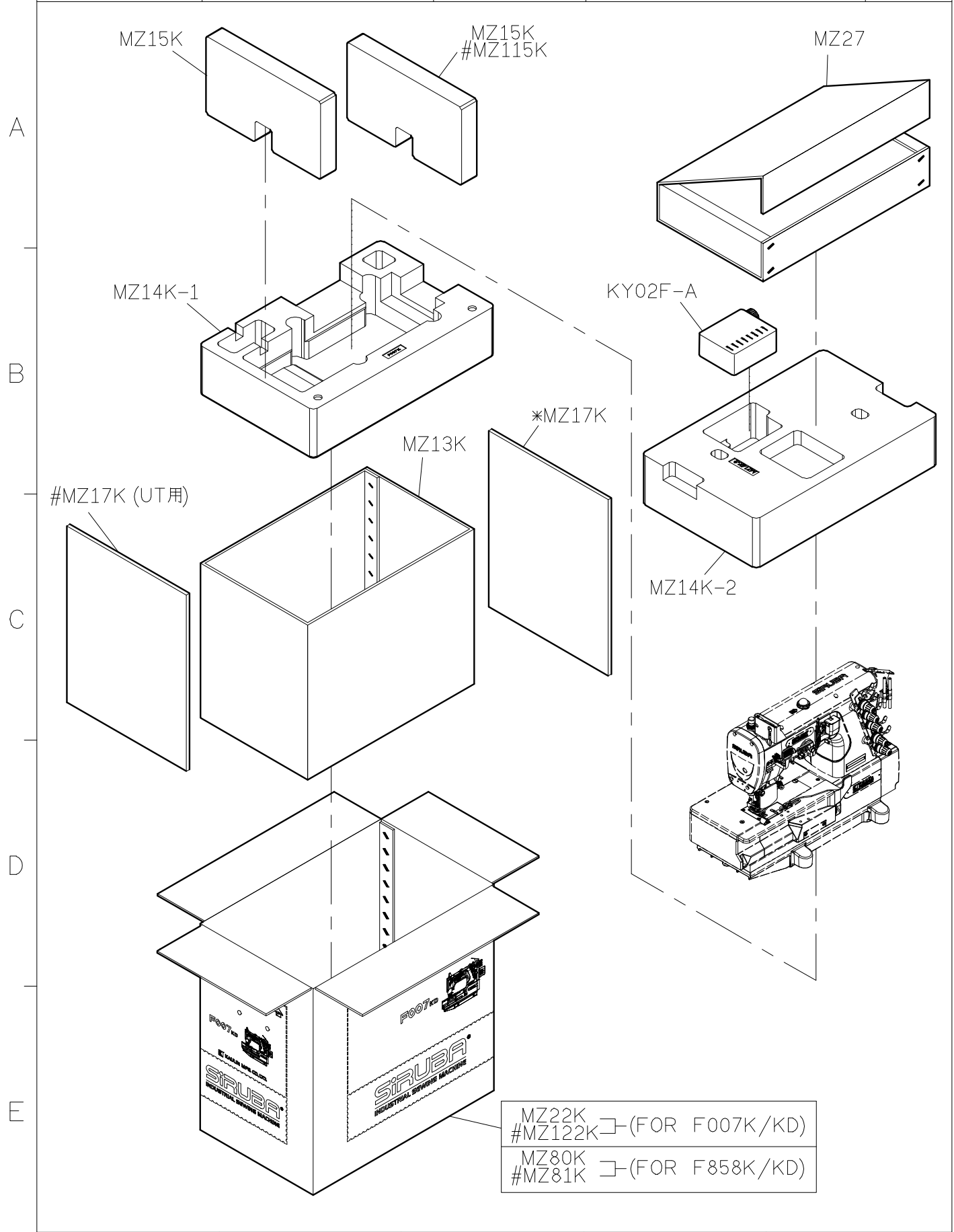
KZ03  KT14-A  UYX128GAS#10*5  FR40K  加裝FR時用

E

Instruction book (使用説明書)  MY42K  MY43K  MY44K (UT973K) Special mechanism (特殊件零件圖)

Parts list	
Basic mechanism	MY43K
Special mechanism	MY43K MY44K
UTK/UTH UTG/UTJ	MY43K UT973K
Special mechanism + UTK/UTH UTG/UTJ	MY43K MY44K UT973K

SIRUBA PARTS LIST	Series	Parts Group	Subclass / Remark	Page
	F007K/F007KD	MZ-K	# :Use for F007KD/F858KD	1/1
	F858K/F858KD			Date
				2012/10/31



A

B

C

D

E

1

2

3

4

5

MZ22K
#MZ122K □-(FOR F007K/KD)
MZ80K
#MZ81K □-(FOR F858K/KD)

SIRUBA PARTS LIST	Series	Parts Group	Subclass / Remark	Page
	F007K/F007KD	FA		1/3
	F858K/F858KD			Date
				2013/03/25

A

B

C

D

E

FA10E-A

FG06E*2

FA10E

研發部
2013.03.26
發行

LF86

SK371

LF86-E

WM411*3 SM434*3

WM408*3

LF71-E*2

SK216*2 LF71

LF64

LF66K

WK01

LF74

SK250

KP46

EM060*3

SM5056*4

LF60E-13

SM4837*2

LF73K

SM502*2

LF61Q

NK30

FA08

NK30

NK30

FA16

SK574

SK574*3

LF70-E*2

SK216 LF70

LF68

LF62

LF65K

LF64

LF69K

SK216*2 LF71

LF63Q

LF71-E*2

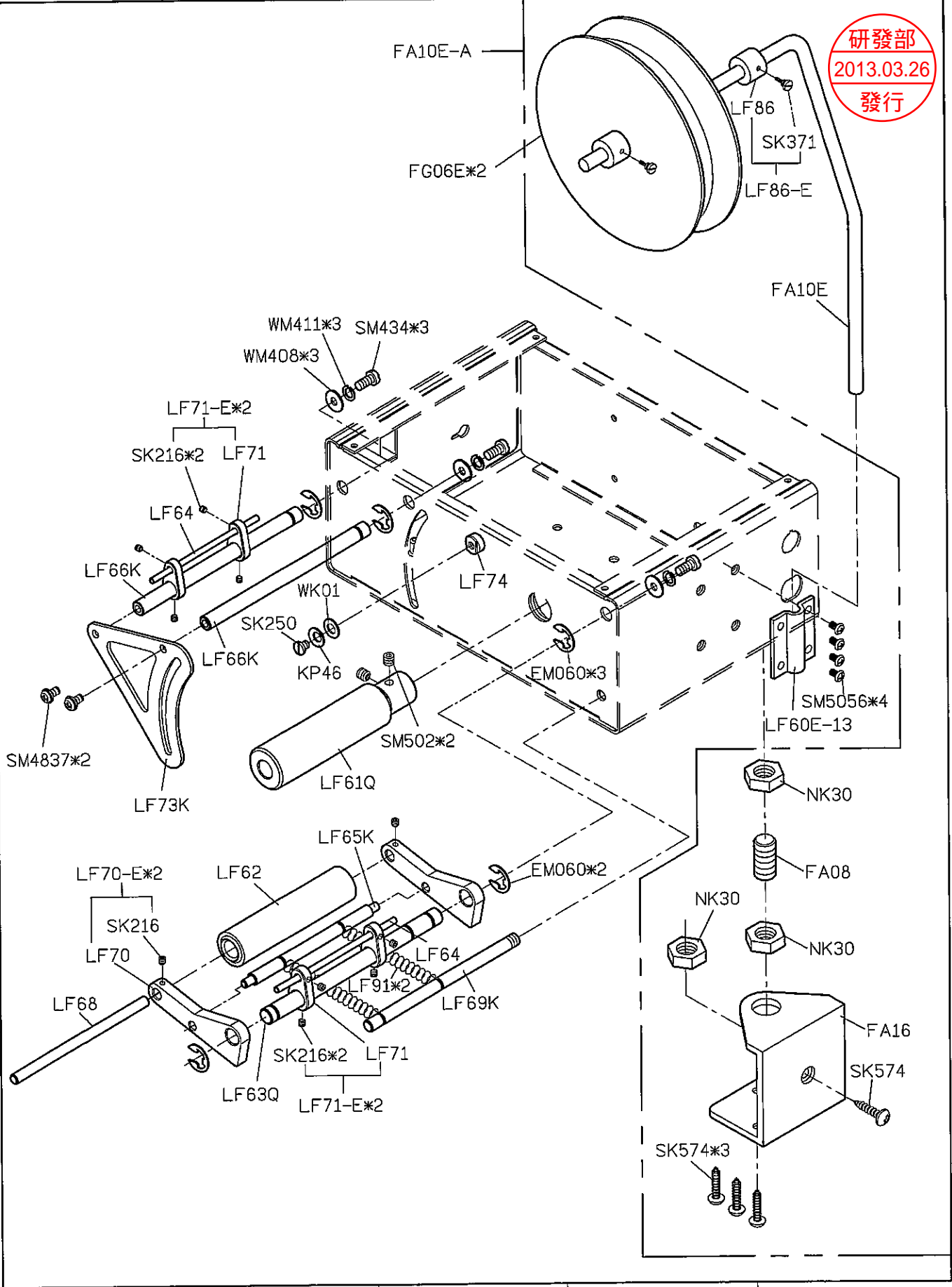
1

2

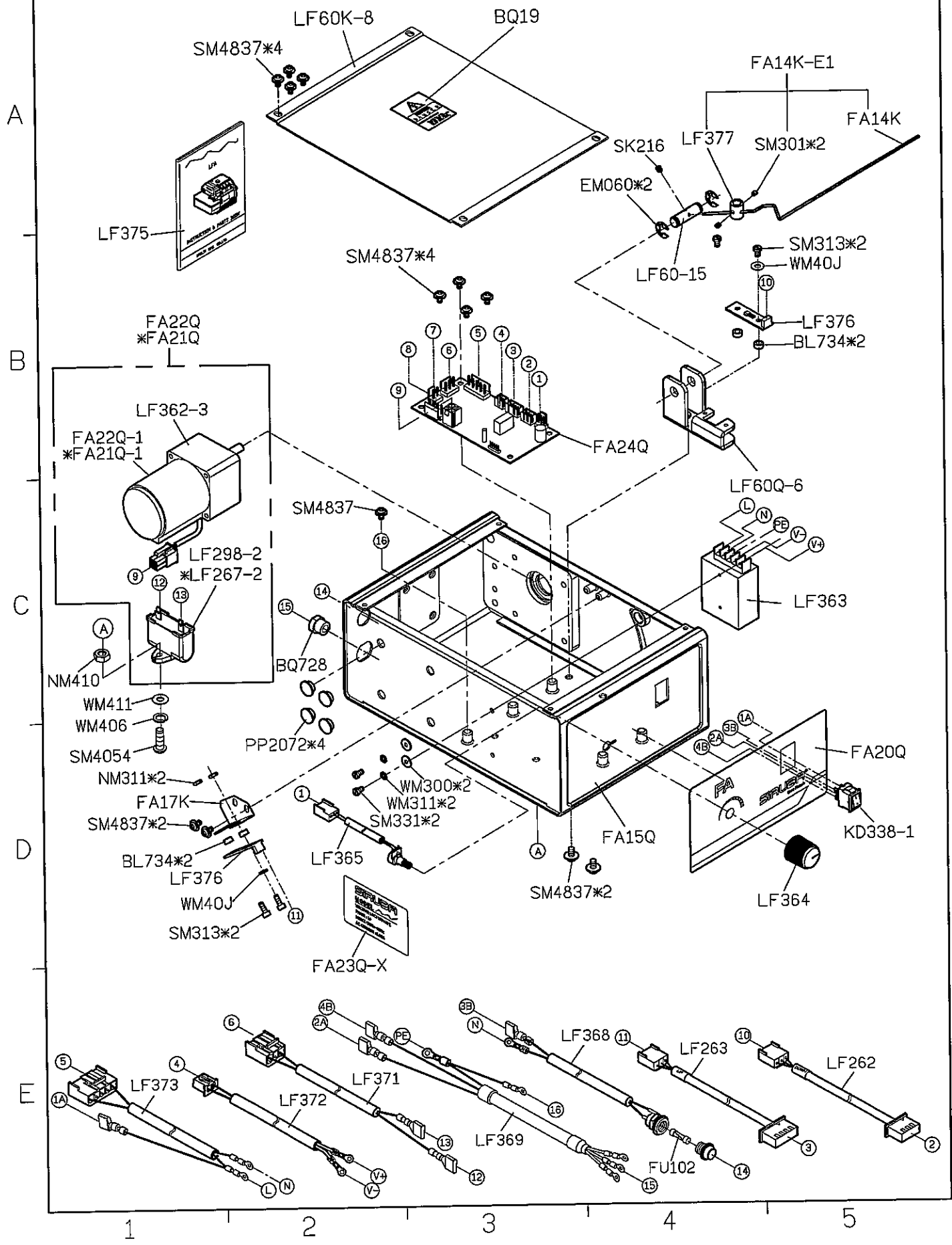
3

4

5



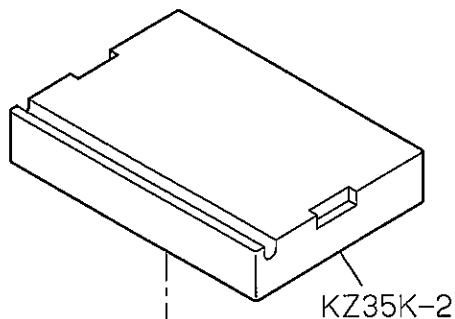
SIRUBA PARTS LIST	Series	Parts Group	Subclass / Remark	Page
	F007K/F007KD	FA	*: Use for 110V	2/3
	F858K/F858KD			Date
				2013/07/01



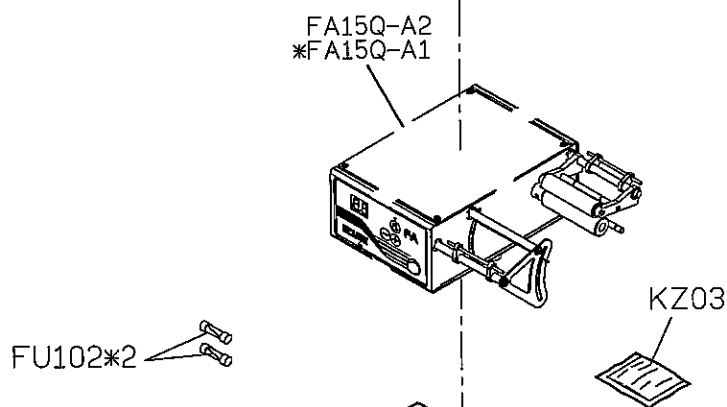
SIRUBA PARTS LIST	Series	Parts Group	Subclass / Remark	Page
	F007K/F007KD F858K/F858KD	FA	*:Use for 110V	3/3
				Date 2013/03/25

研發部
 2013.03.26
 發行

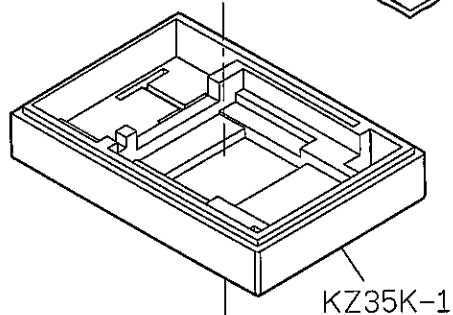
A



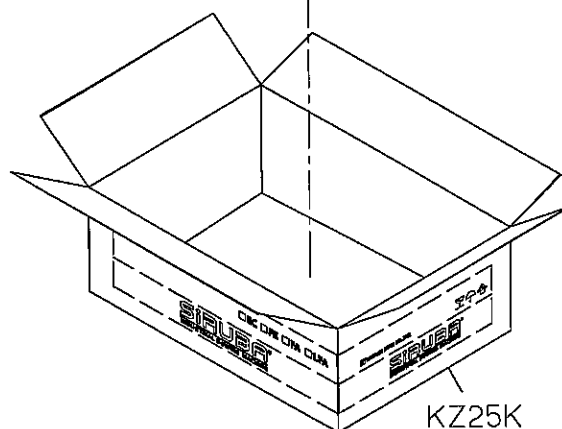
B



C



D



E

* FOR 110V

1

2

3

4

5

SIRUBA

PARTS LIST

Series
F007K/F007KD
F858K/F858KD

Parts Group
FAC-K

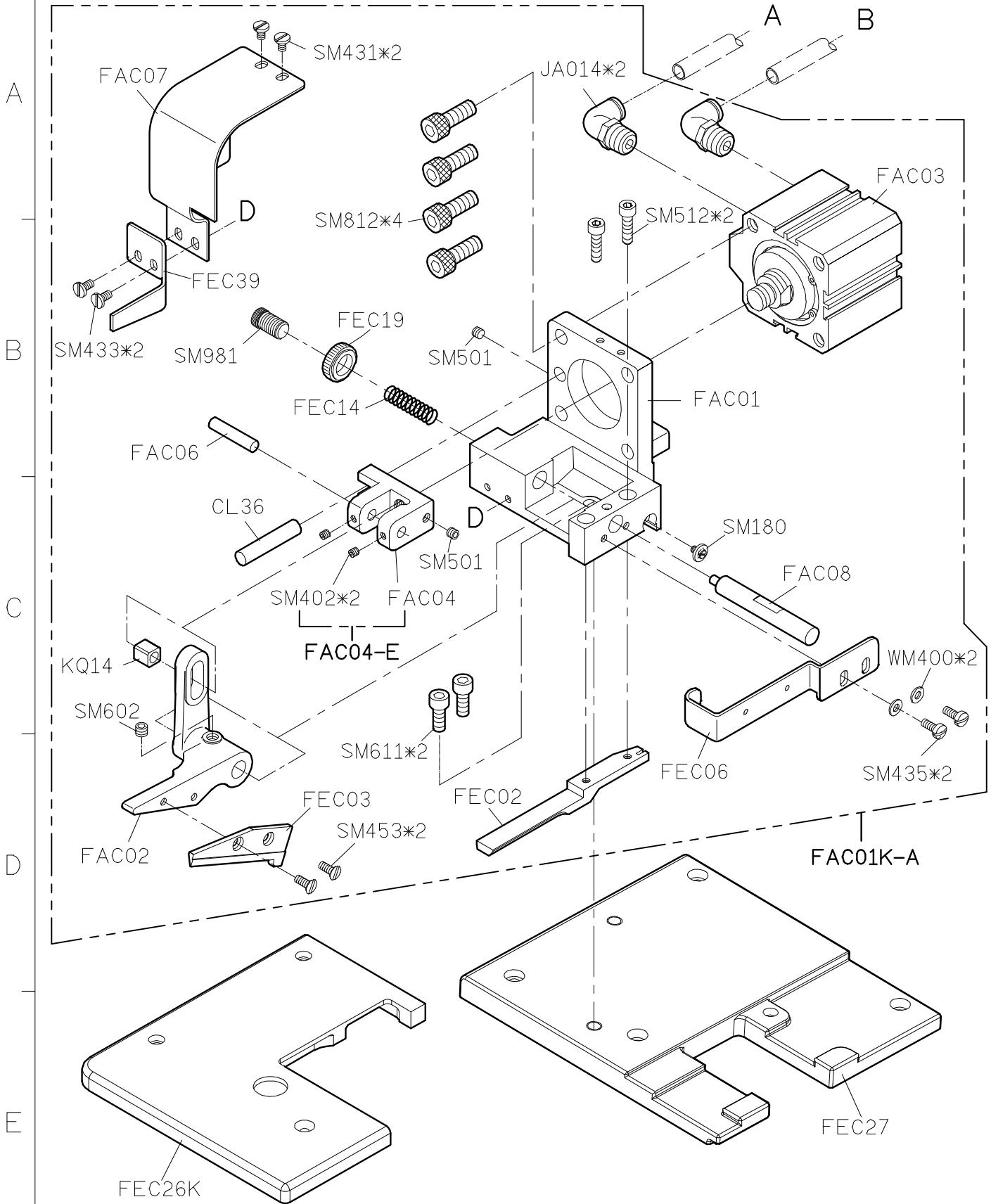
Subclass / Remark

Page

1/2

Date

2012/10/31



1

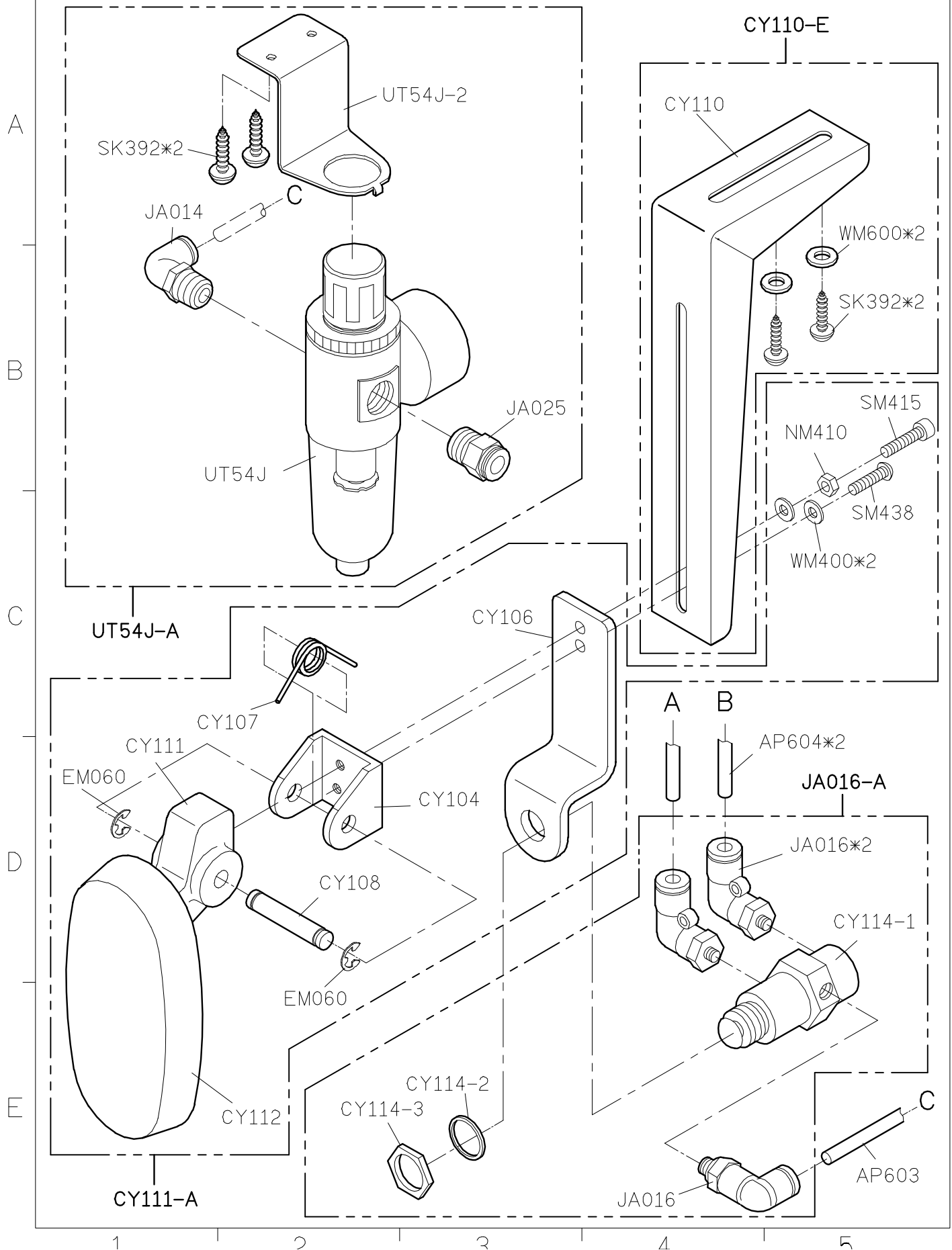
2

3

4

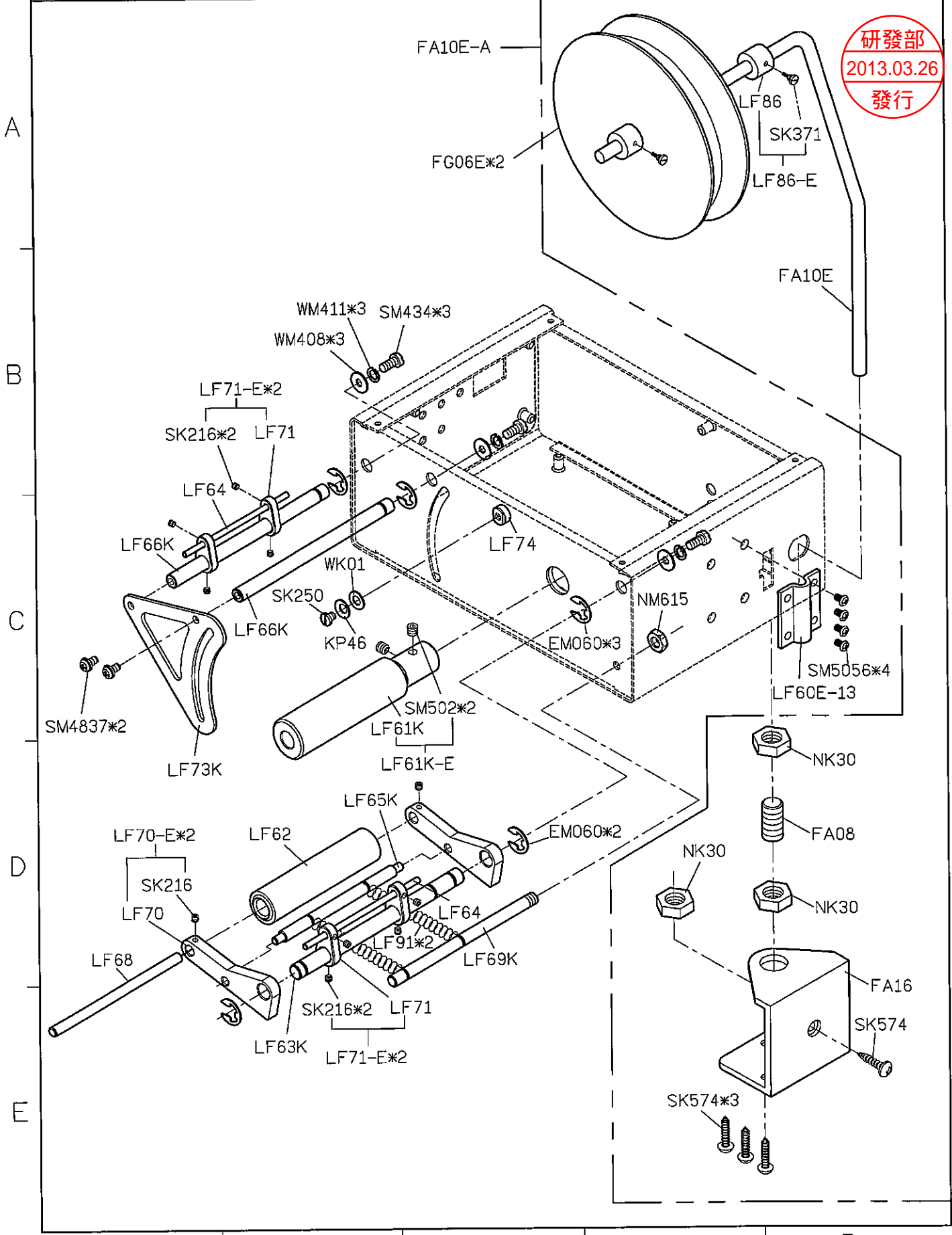
5

SIRUBA PARTS LIST	Series	Parts Group	Subclass / Remark	Page
	F007K/F007KD	FAC-K		2/2
	F858K/F858KD			Date
				2012/10/31



SIRUBA PARTS LIST	Series	Parts Group	Subclass / Remark	Page
	F007K/F007KD F858K/F858KD	FAK		
				Date
				2013/03/25

研發部
 2013.03.26
 發行



SIRUBA PARTS LIST	Series	Parts Group	Subclass / Remark	Page
	F007K/F007KD	FAK		2/3
	F858K/F858KD			Date
				2013/03/25

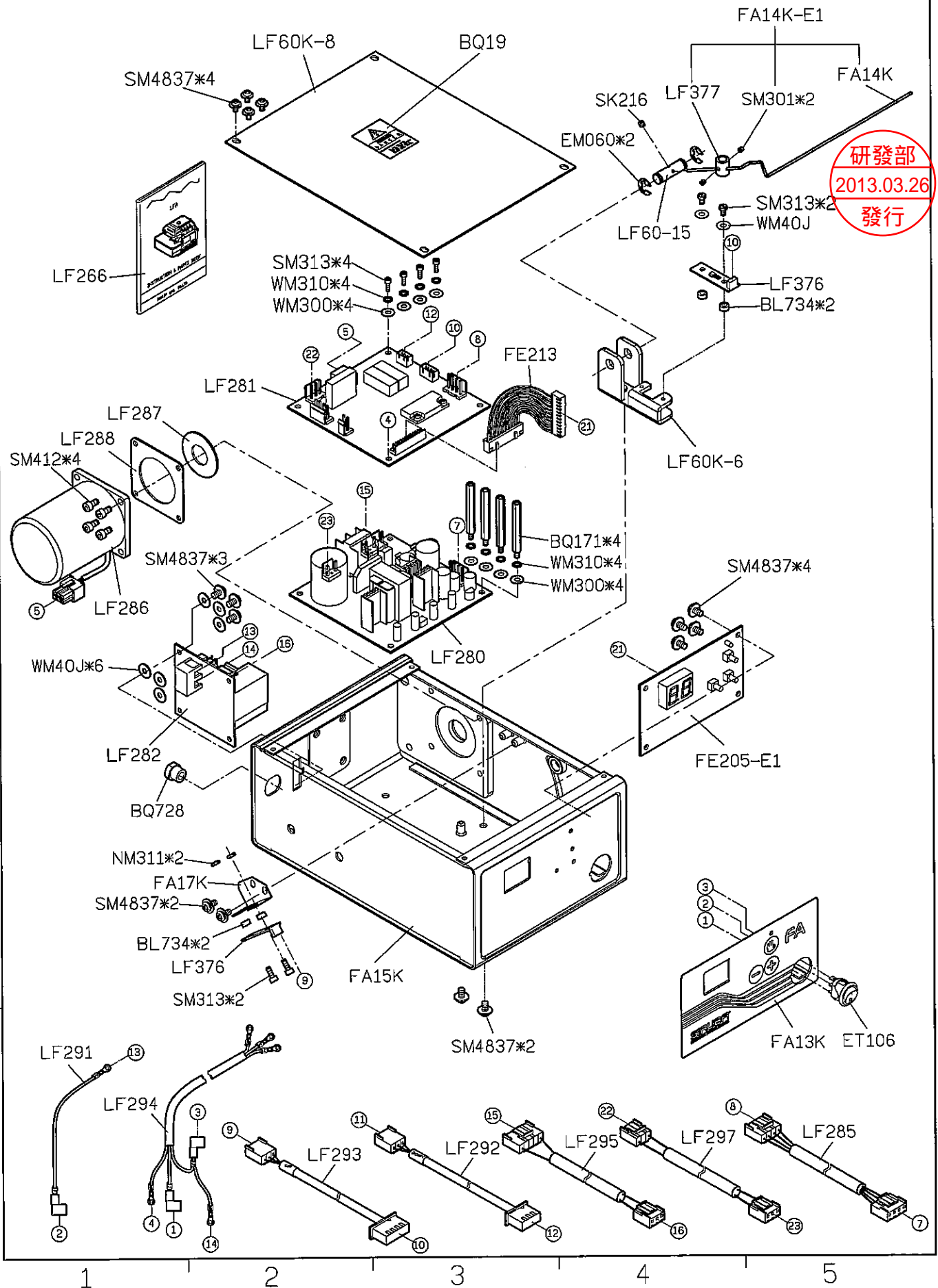
A

B

C

D

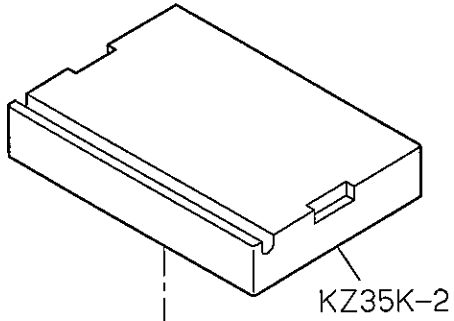
E



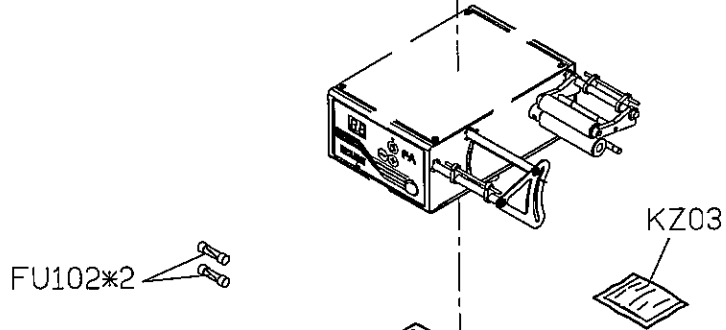
SIRUBA PARTS LIST	Series	Parts Group	Subclass / Remark	Page
	F007K/F007KD	FAK		3/3
	F858K/F858KD			Date
				2013/03/25

研發部
 2013.03.26
 發行

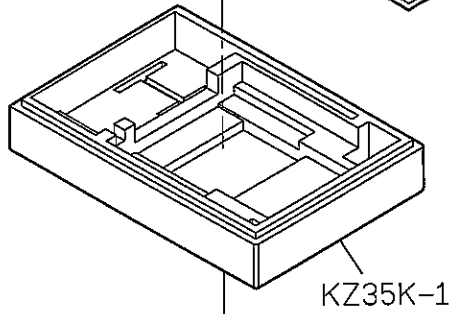
A



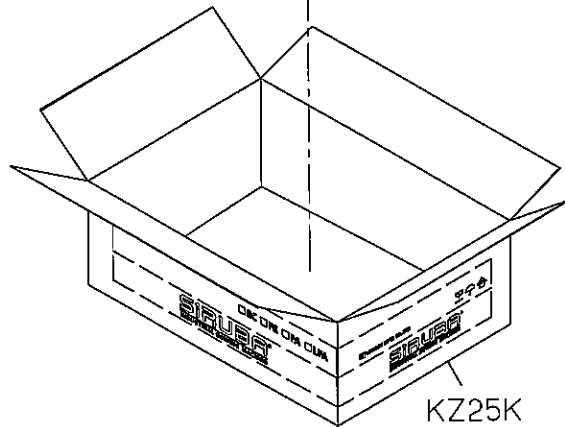
B



C



D



E

1

2

3

4

5

SIRUBA PARTS LIST	Series	Parts Group	Subclass / Remark	Page
	F007K/F007KD	FBP-K		1/1
	F858K/F858KD			Date
				2013/08/21

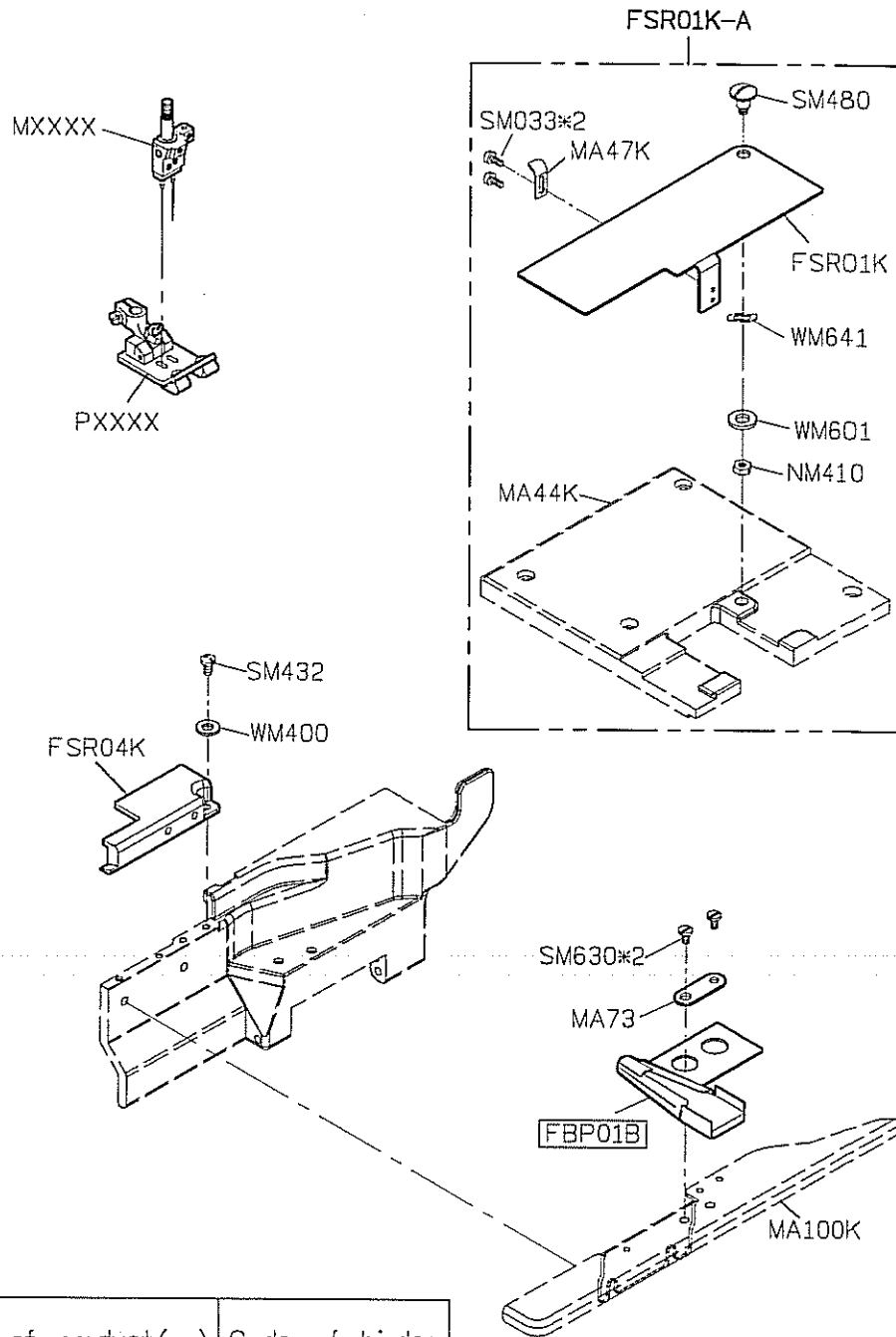
A

B

C

D

E



Stitch length	Size of product (mm)	Code of binder
5.6	9	FBP01A
5.6	10	FBP01B
6.4	12	FBP01C

1

2

3

4

5

SIRUBA

PARTS LIST

Series

F007K/F007KD
F858K/F858KD

Parts Group

FDC-K

Subclass / Remark

Page

1/1

Date

2012/10/31

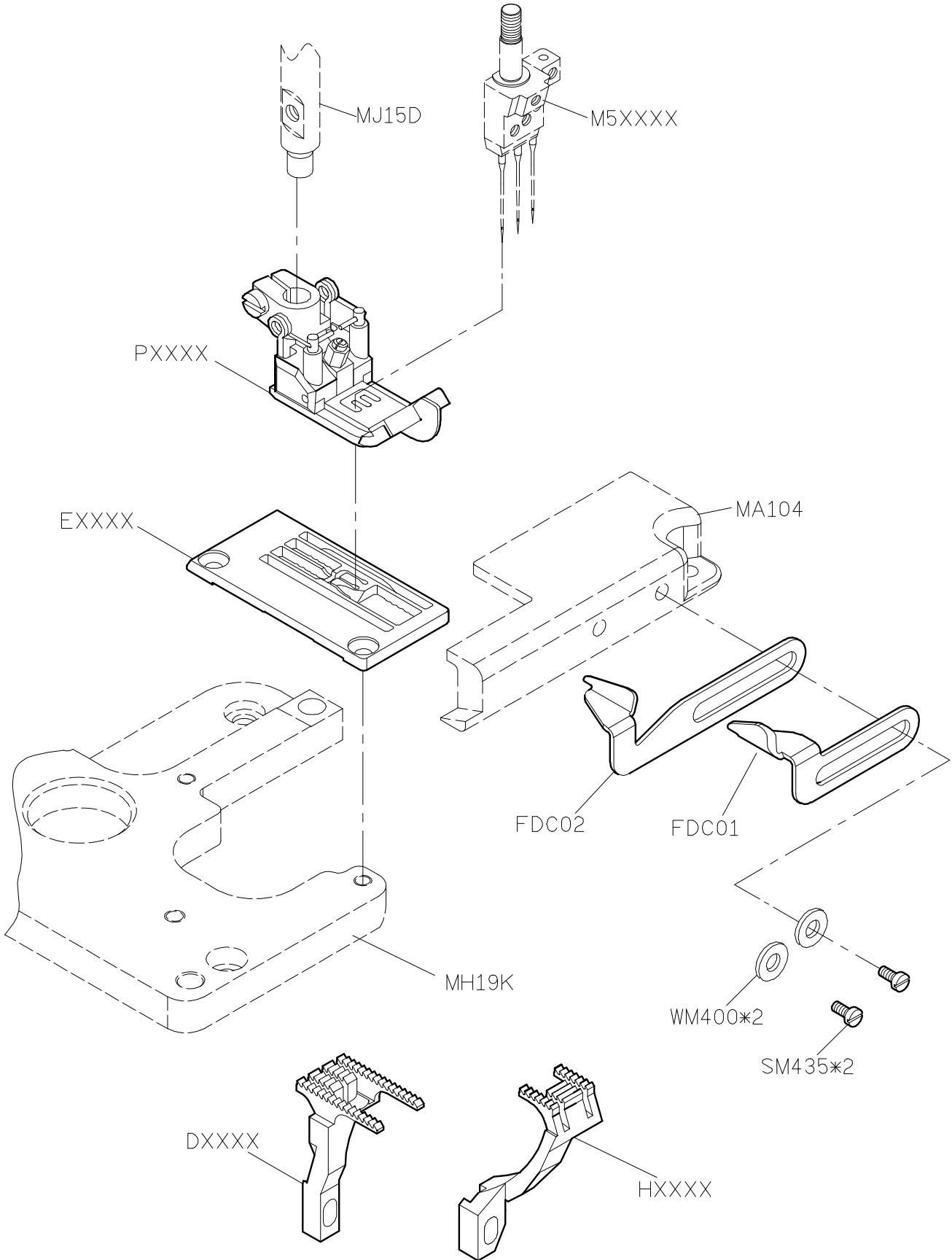
A

B

C

D

E



1

2

3

4

5

SIRUBA

PARTS LIST

Series

F007K/F007KD
F858K/F858KD

Parts Group

FDE-K

Subclass / Remark

Page

1/1

Date

2012/10/31

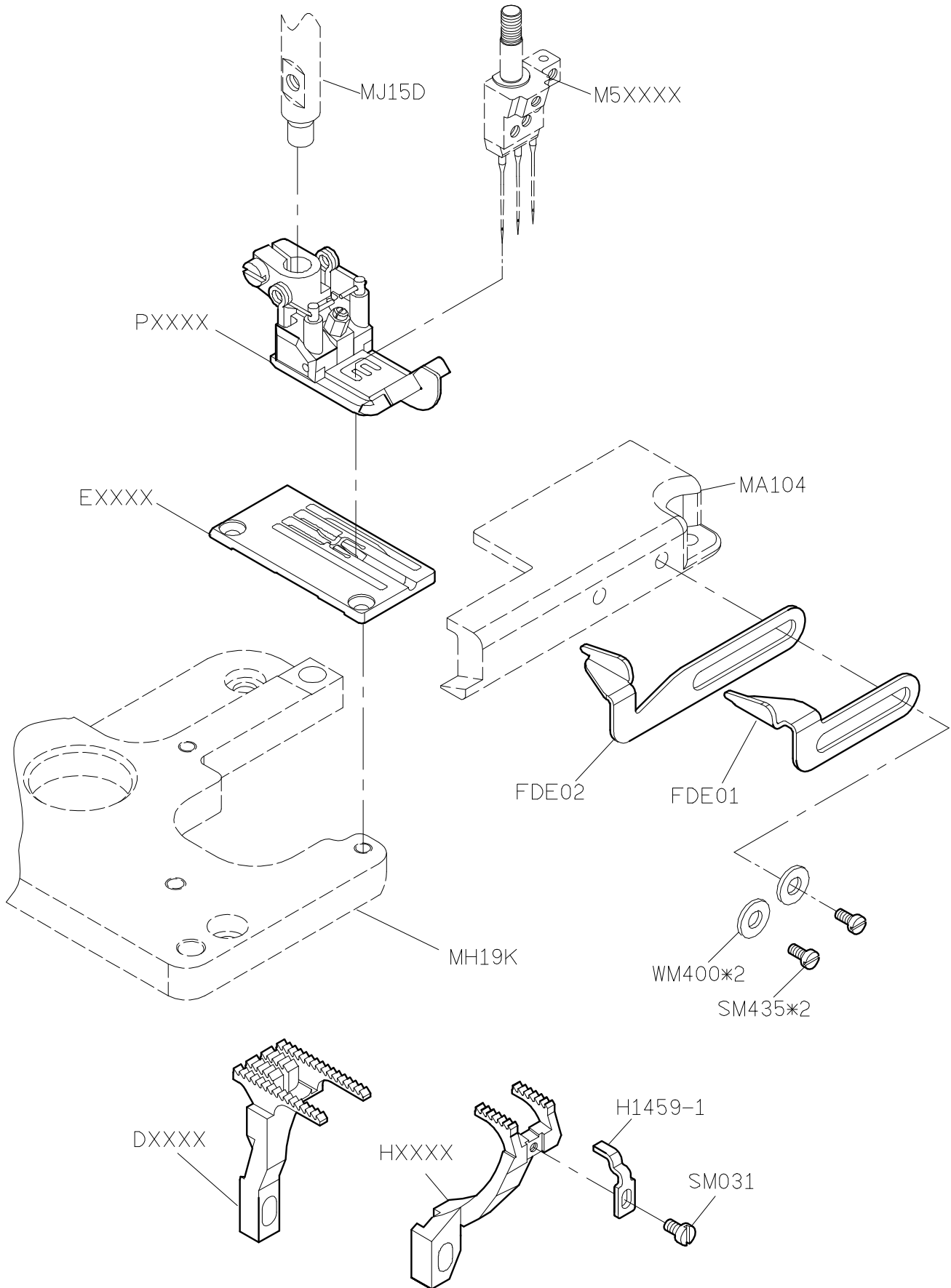
A

B

C

D

E



1

2

3

4

5

SIRUBA

PARTS LIST

**F007K/F007KD
F858K/F858KD**

Parts Group
FEC-K

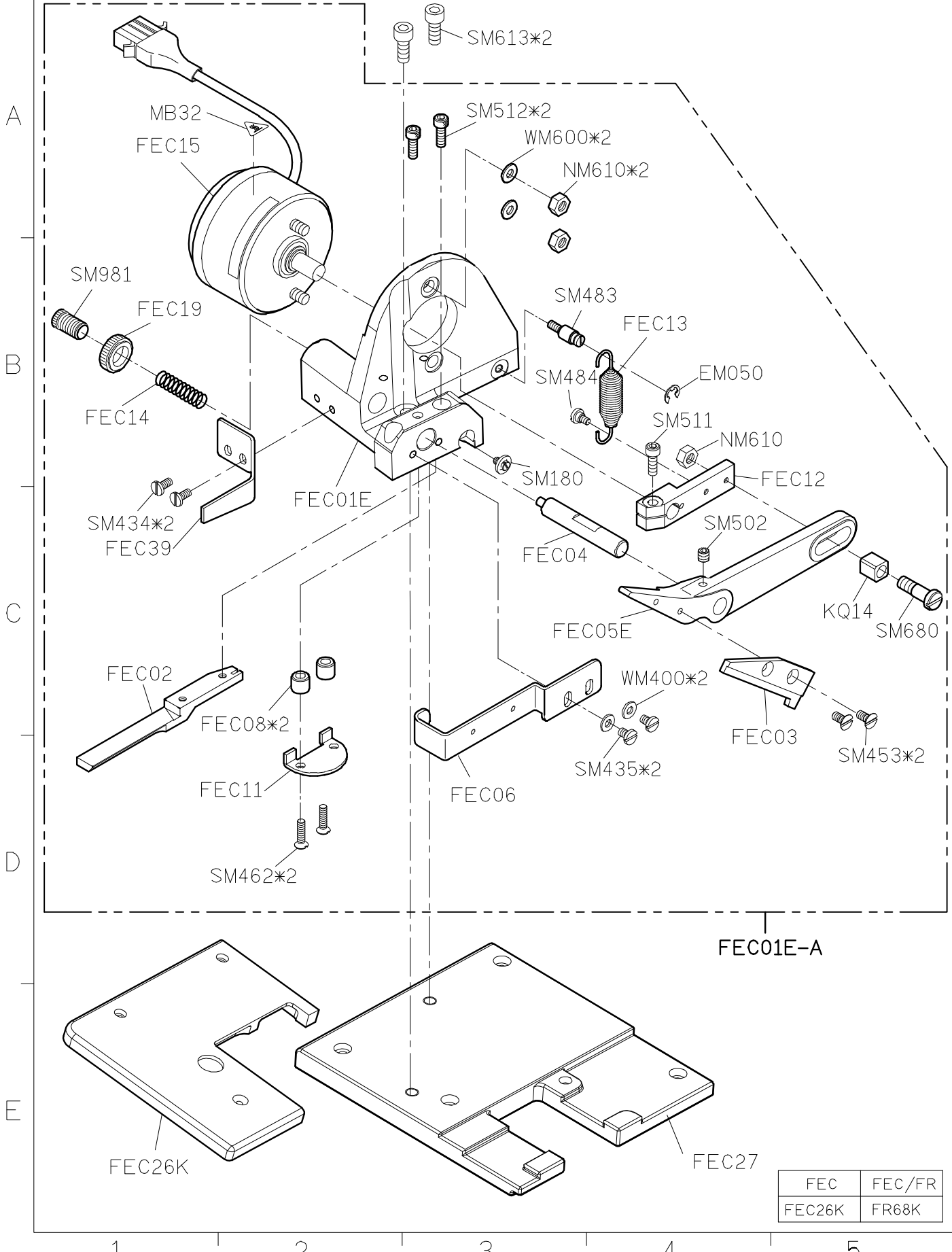
Subclass / Remark

Page

1/4

Date

2012/10/31



SIRUBA

PARTS LIST

F007K/F007KD
F858K/F858KD

Parts Group
FEC-K

Subclass / Remark

Page

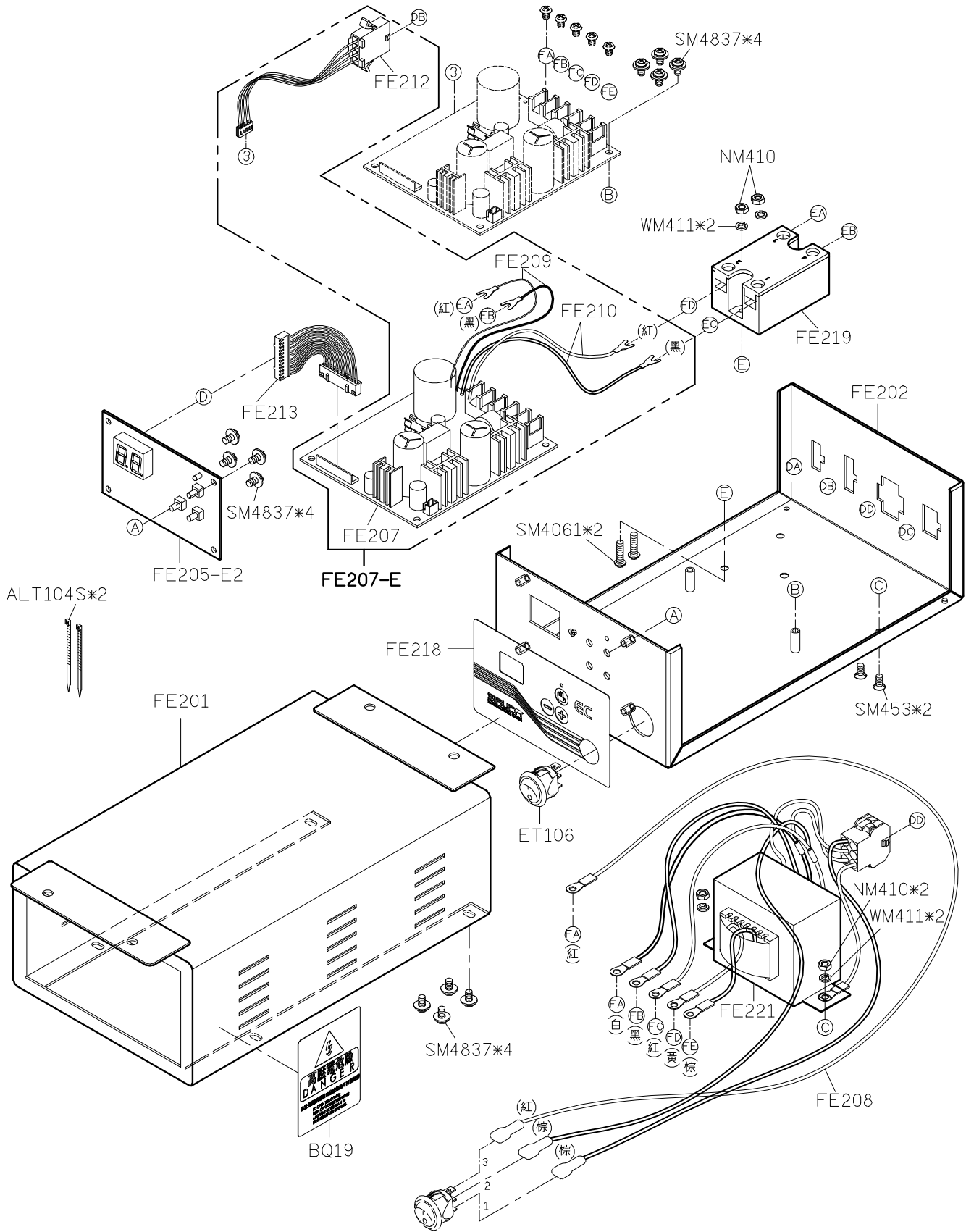
2/4

Date

2012/10/31

FE202-A

A
B
C
D
E



1 2 3 4 5

SIRUBA

PARTS LIST

F007K/F007KD
F858K/F858KD

Parts Group
FEC-K

Subclass / Remark

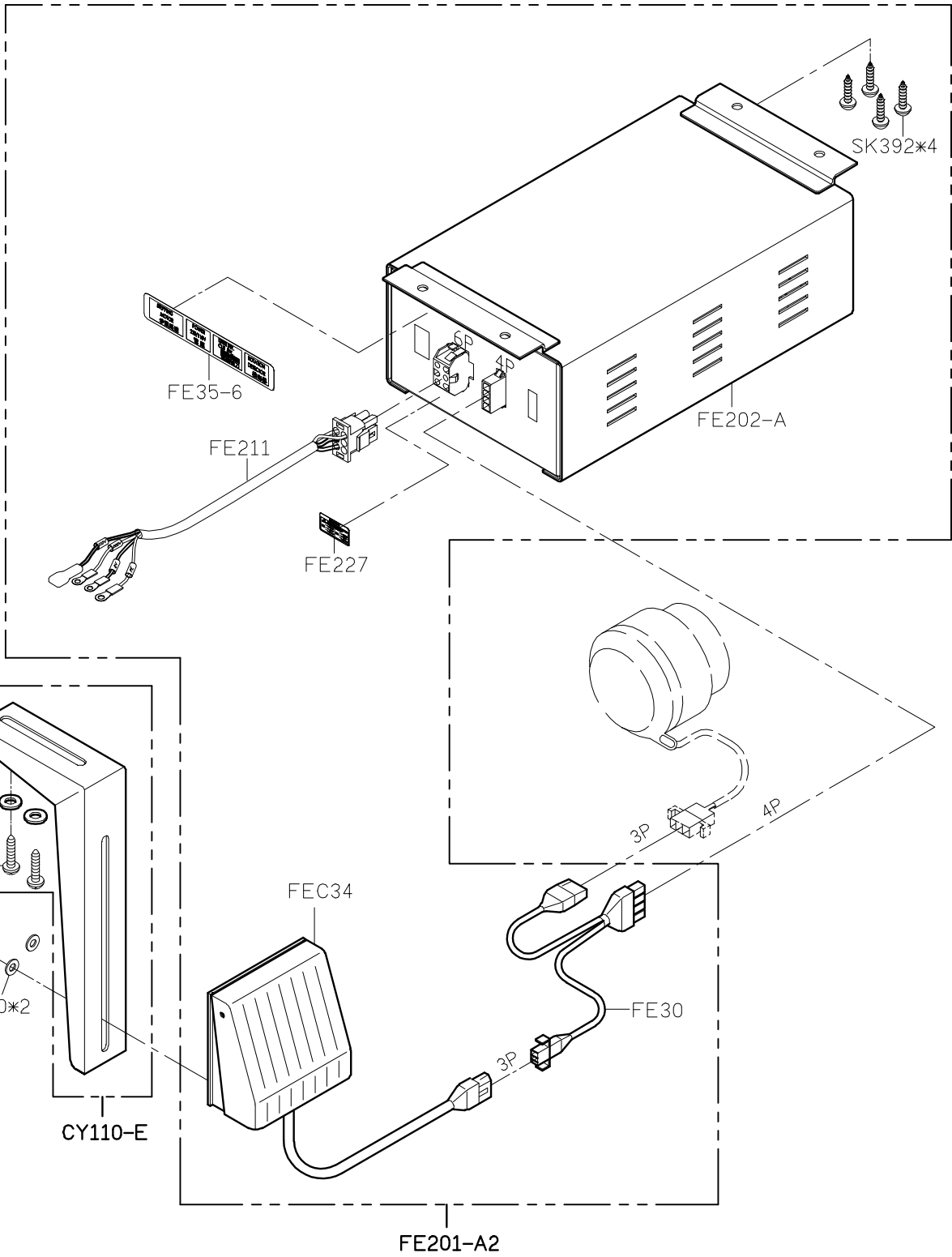
Page

3/4

Date

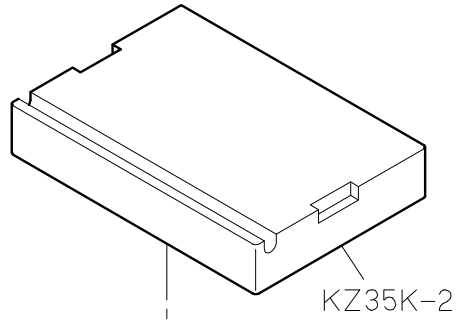
2012/10/31

A
B
C
D
E

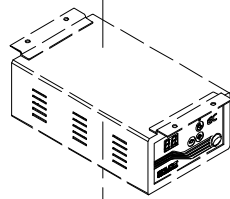


SIRUBA PARTS LIST		Parts Group	Subclass / Remark	Page
	F007K/F007KD F858K/F858KD	FEC-K		4/4
				Date
				2012/10/31

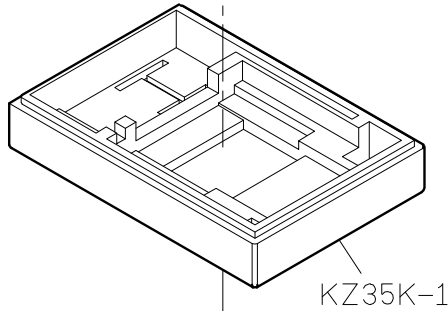
A



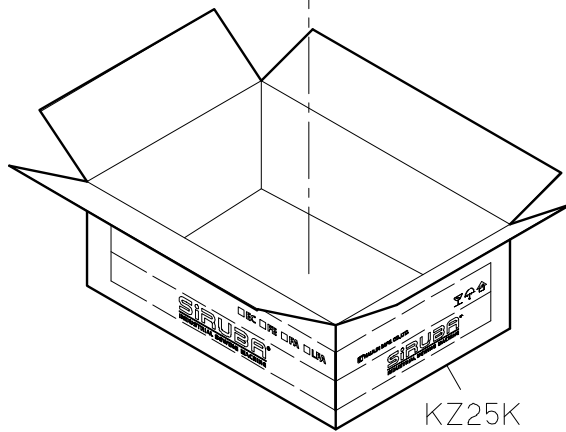
B



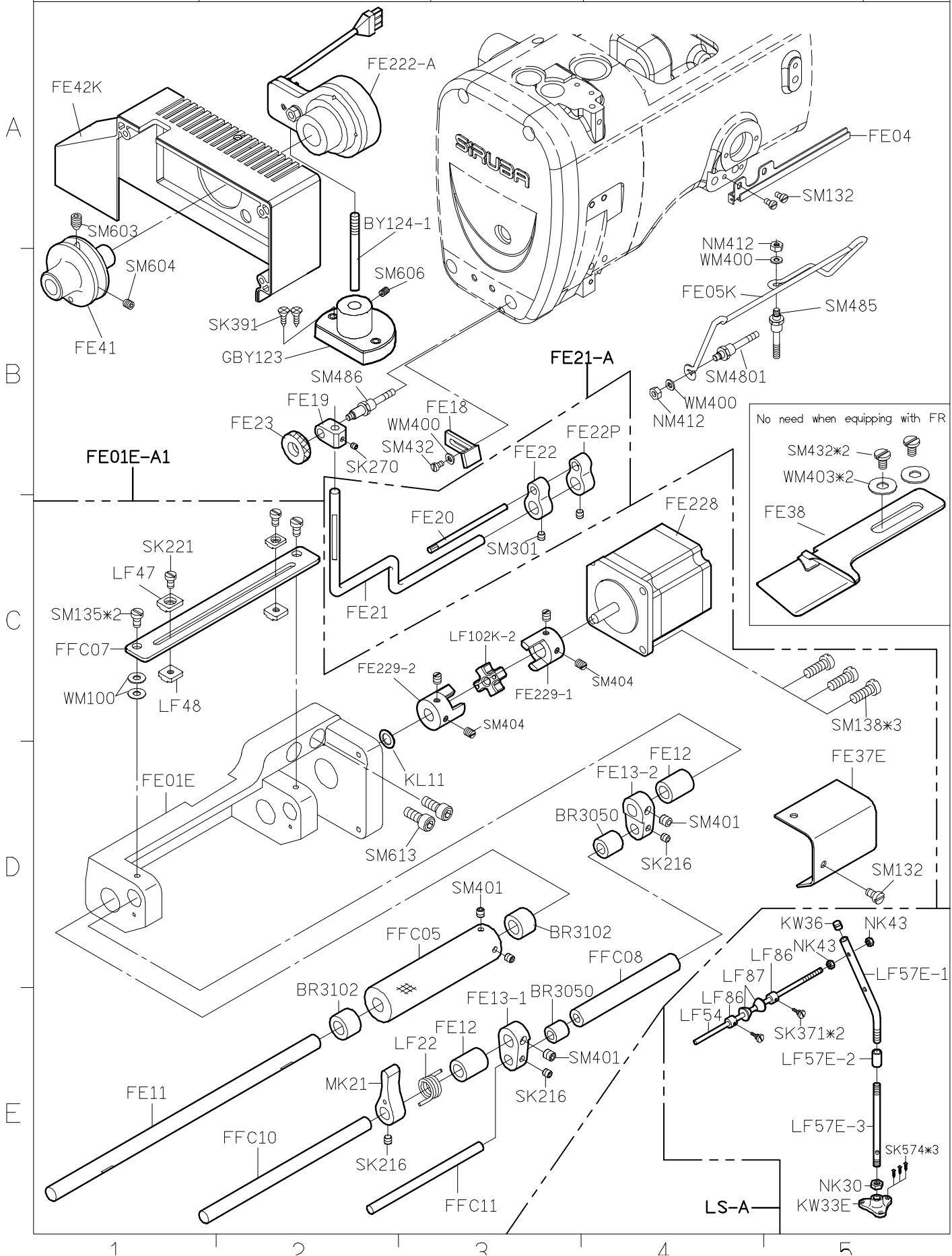
C



D



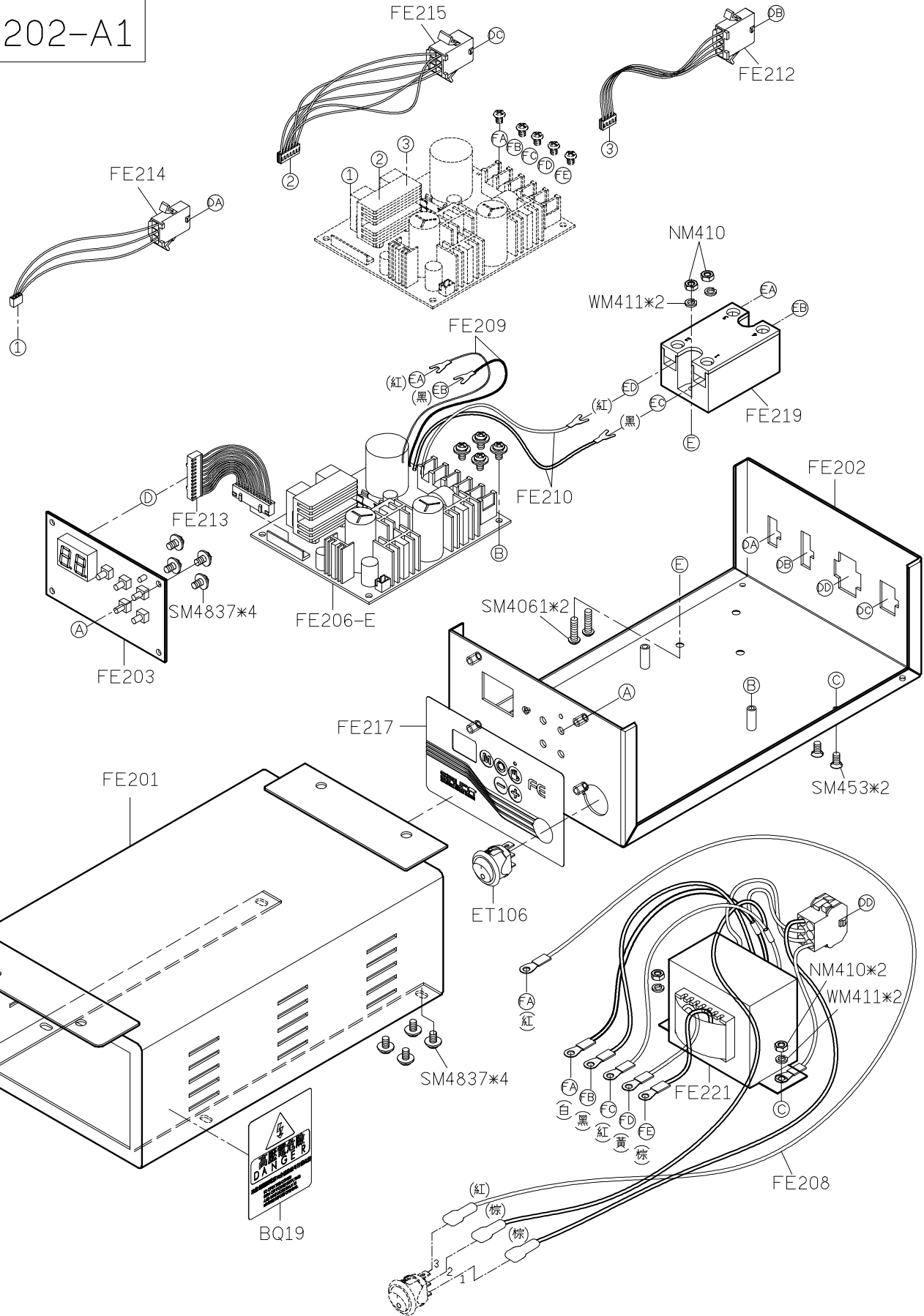
E



SIRUBA PARTS LIST	F007K/F007KD F858K/F858KD	Parts Group	Subclass / Remark	Page
		FE-K	For F007K/F858K	2/3
				Date
				2012/10/31

FE202-A1

A
B
C
D
E



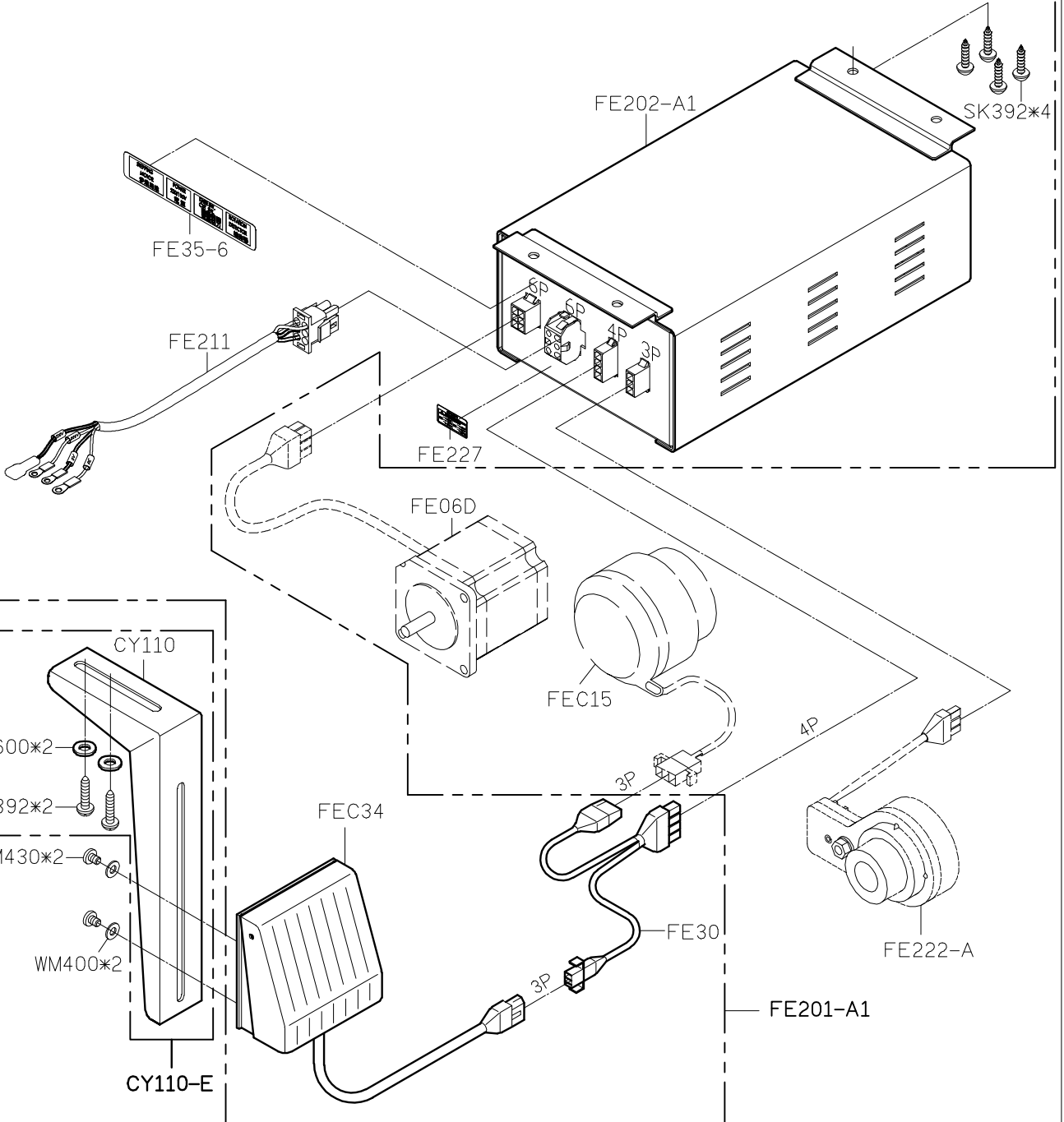
A

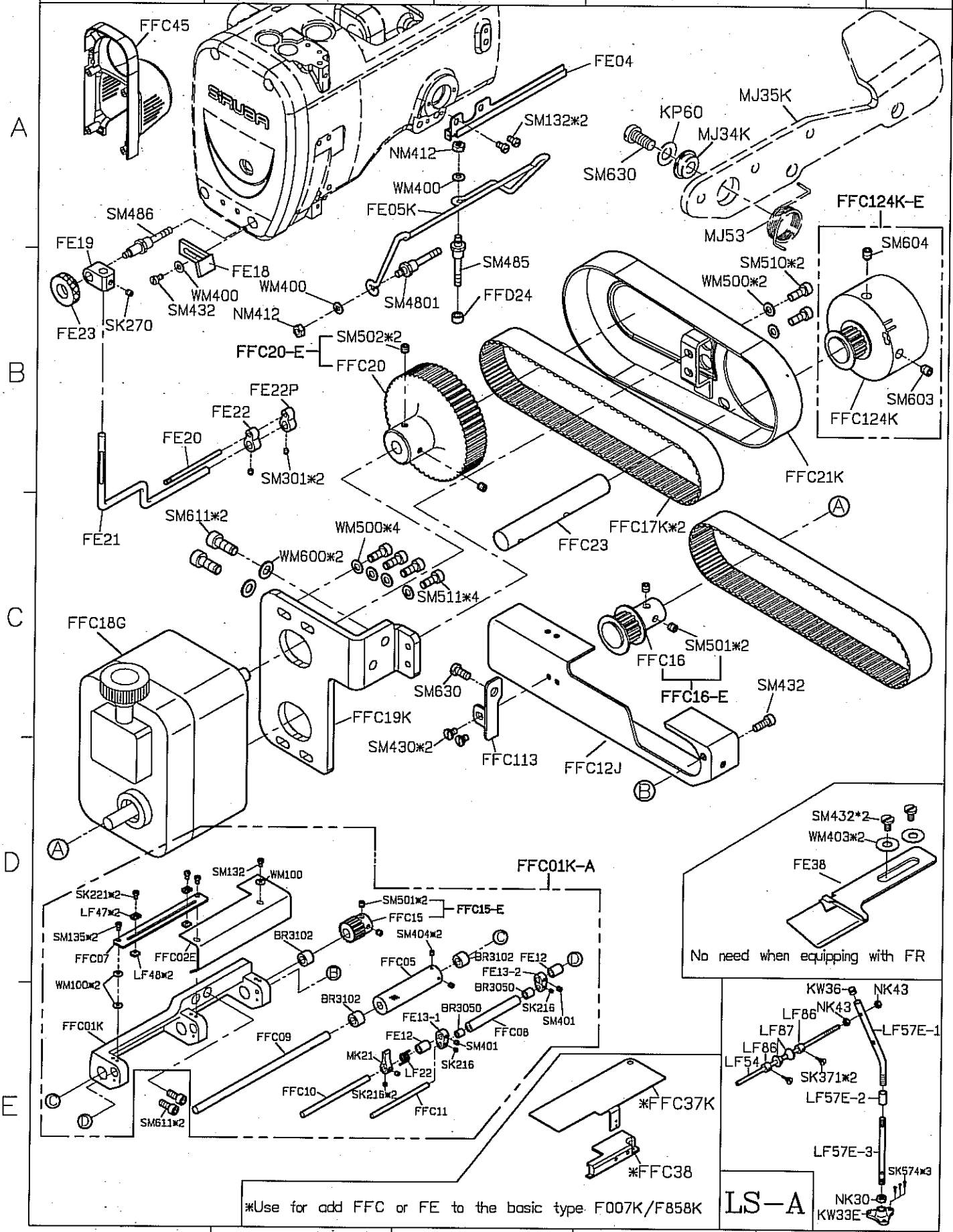
B

C

D

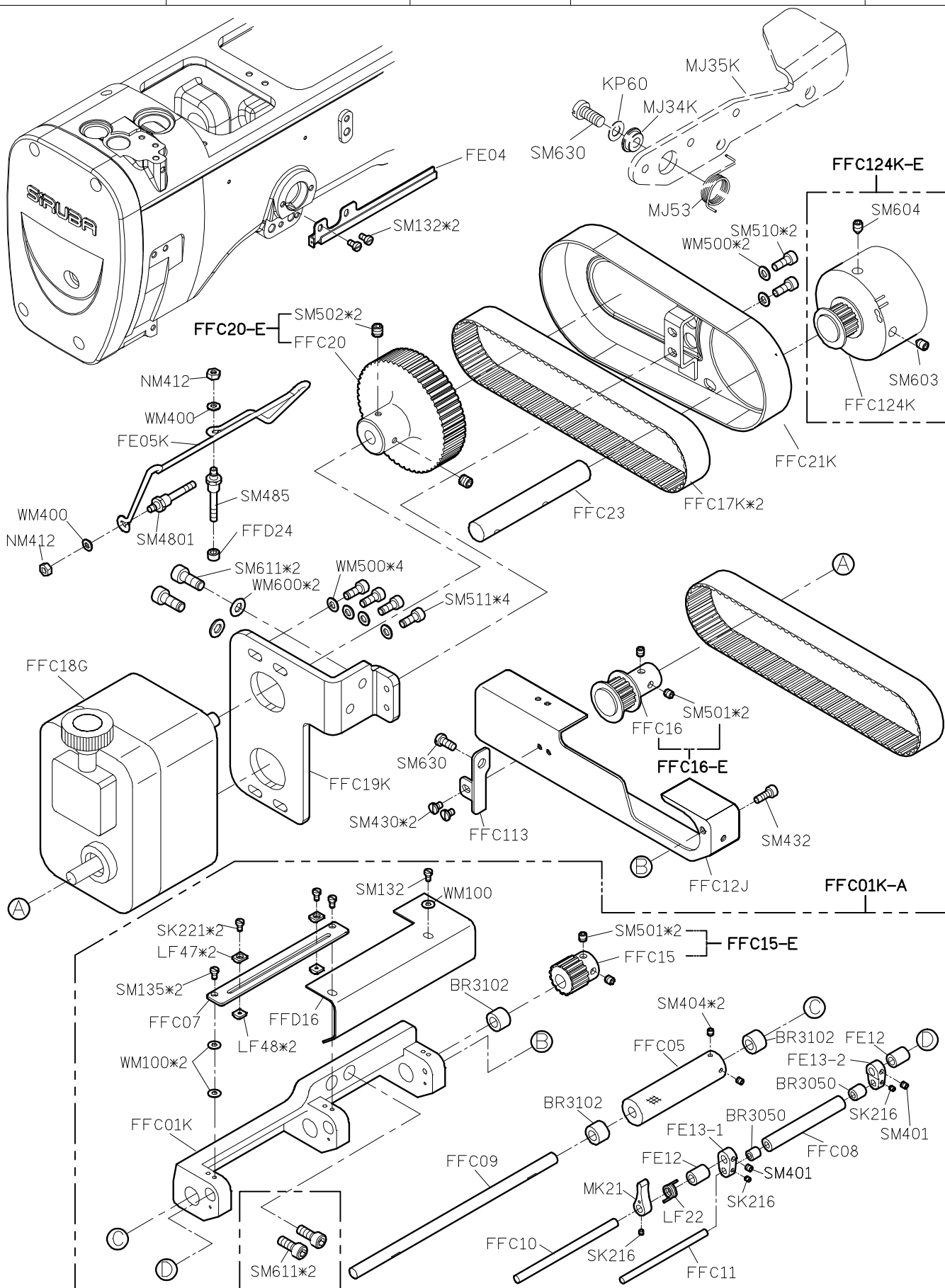
E





*Use for add FFC or FE to the basic type F007K/F858K

LS-A



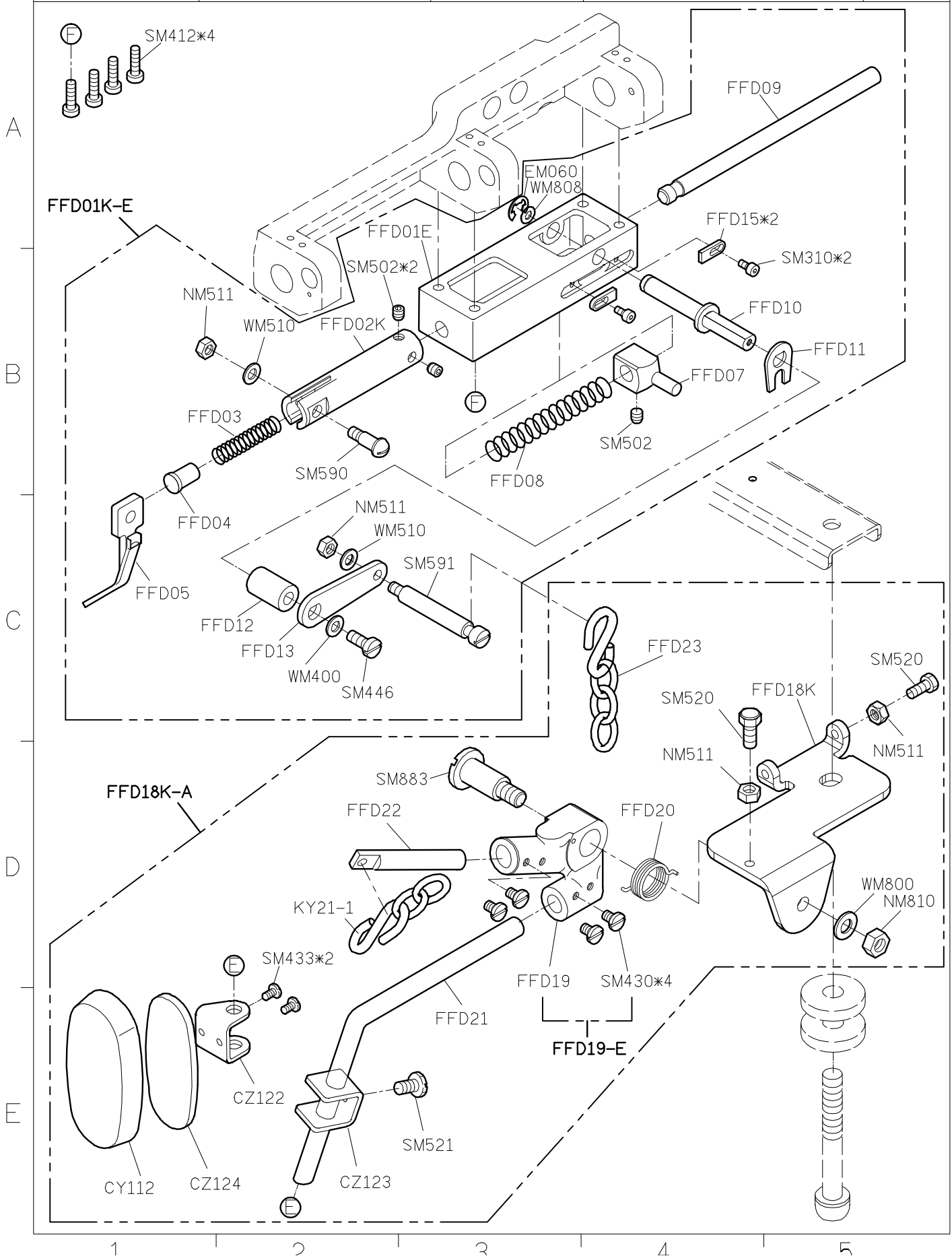
1

2

3

4

5



SIRUBA

PARTS LIST

F007K/F007KD
F858K/F858KD

FFD-K

Parts Group

Subclass / Remark

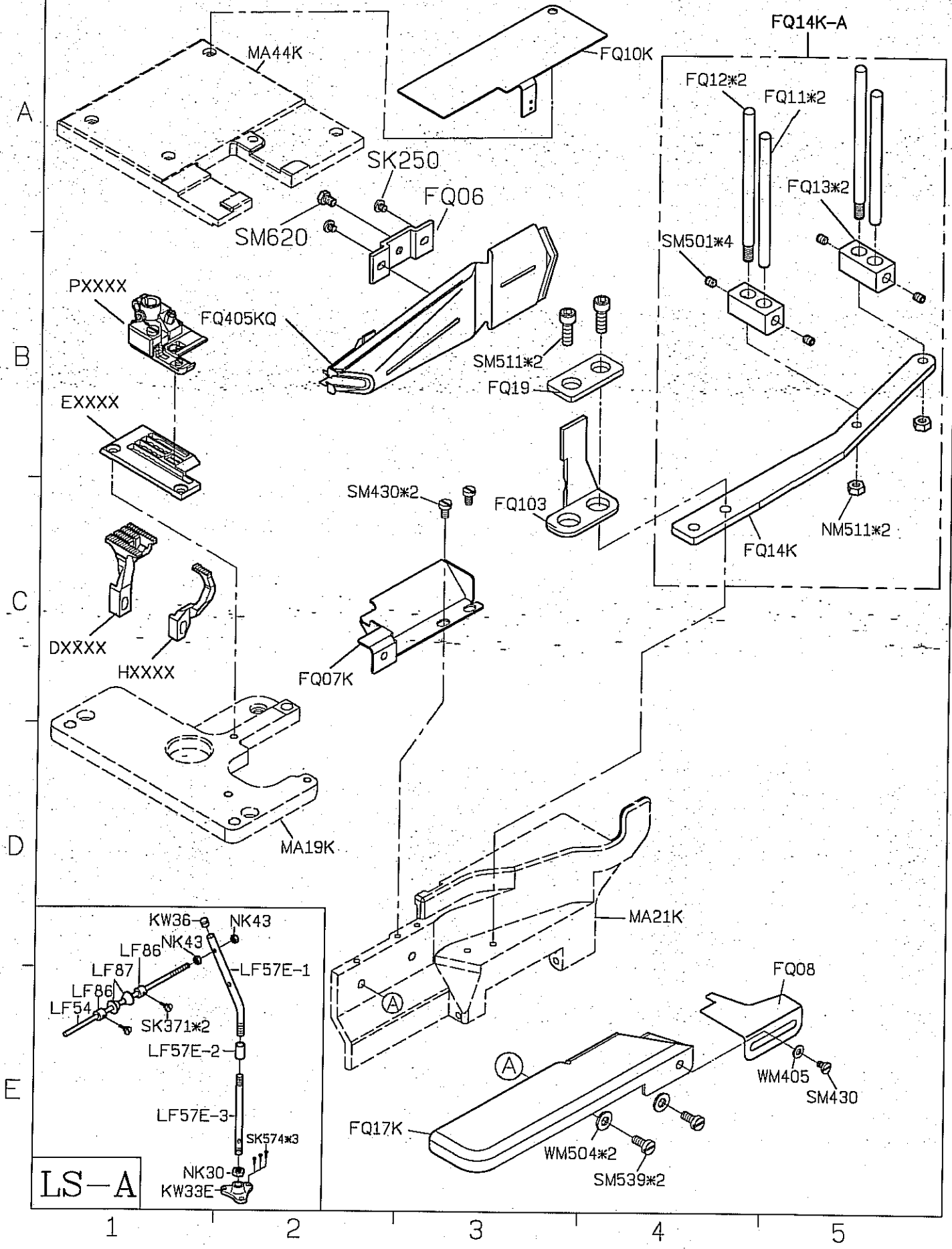
For F007K/F858K

Page

3/3

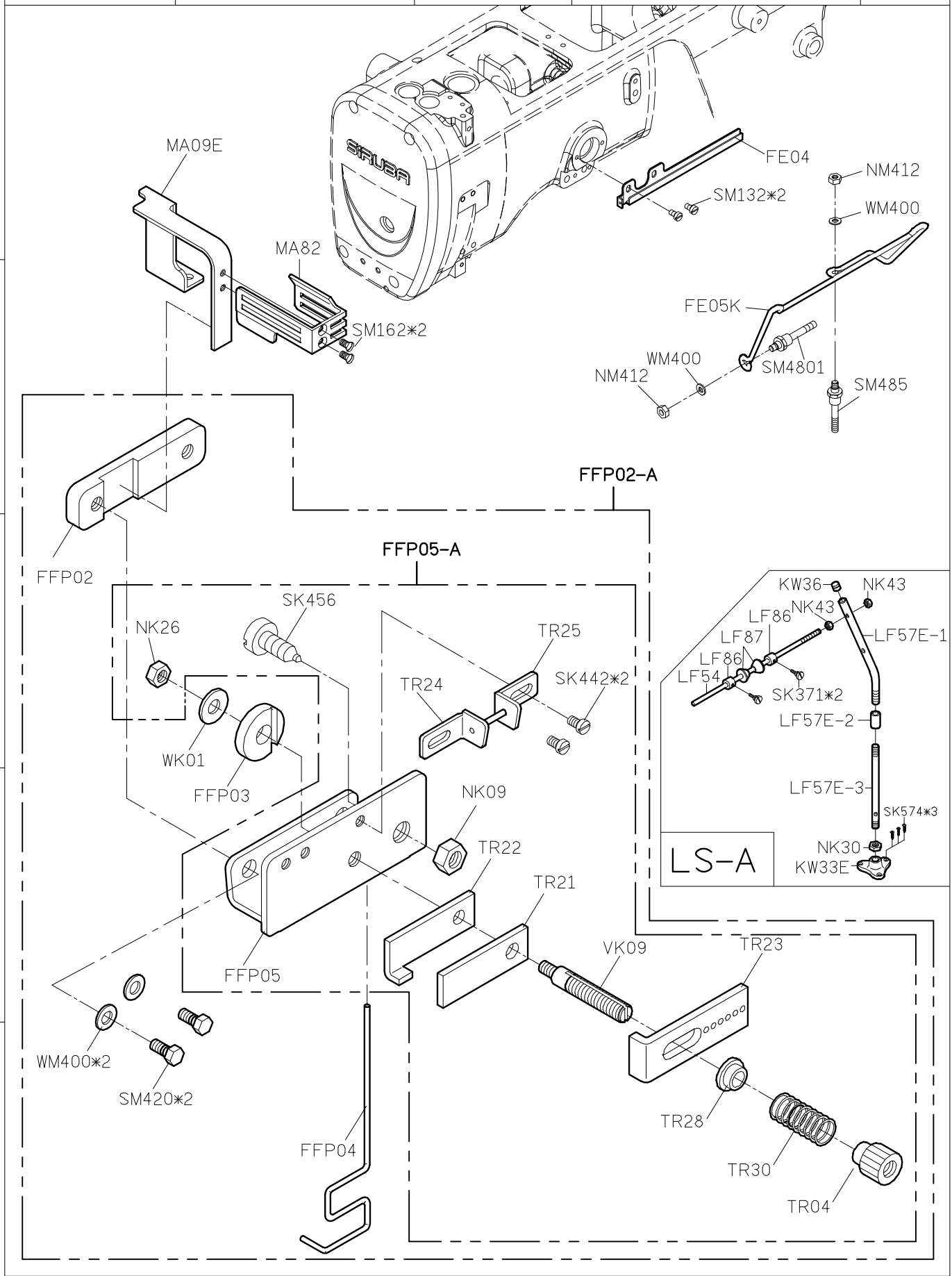
Date

2013/11/04



A
B
C
D
E

1 2 3 4 5



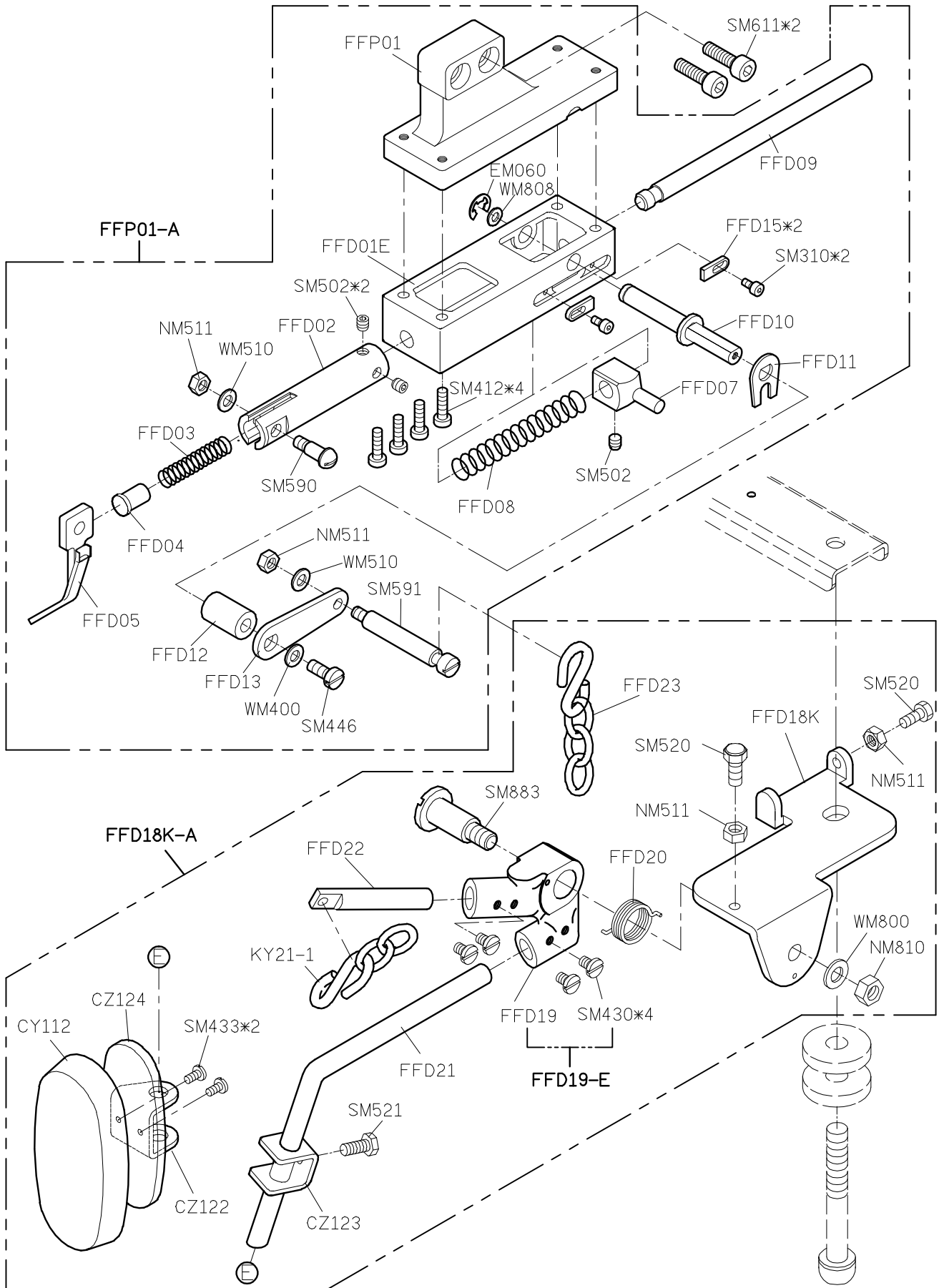
A

B

C

D

E



1

2

3

4

5

SIRUBA

PARTS LIST

F007K/F007KD
F858K/F858KD

FFP-K

Parts Group

Subclass / Remark

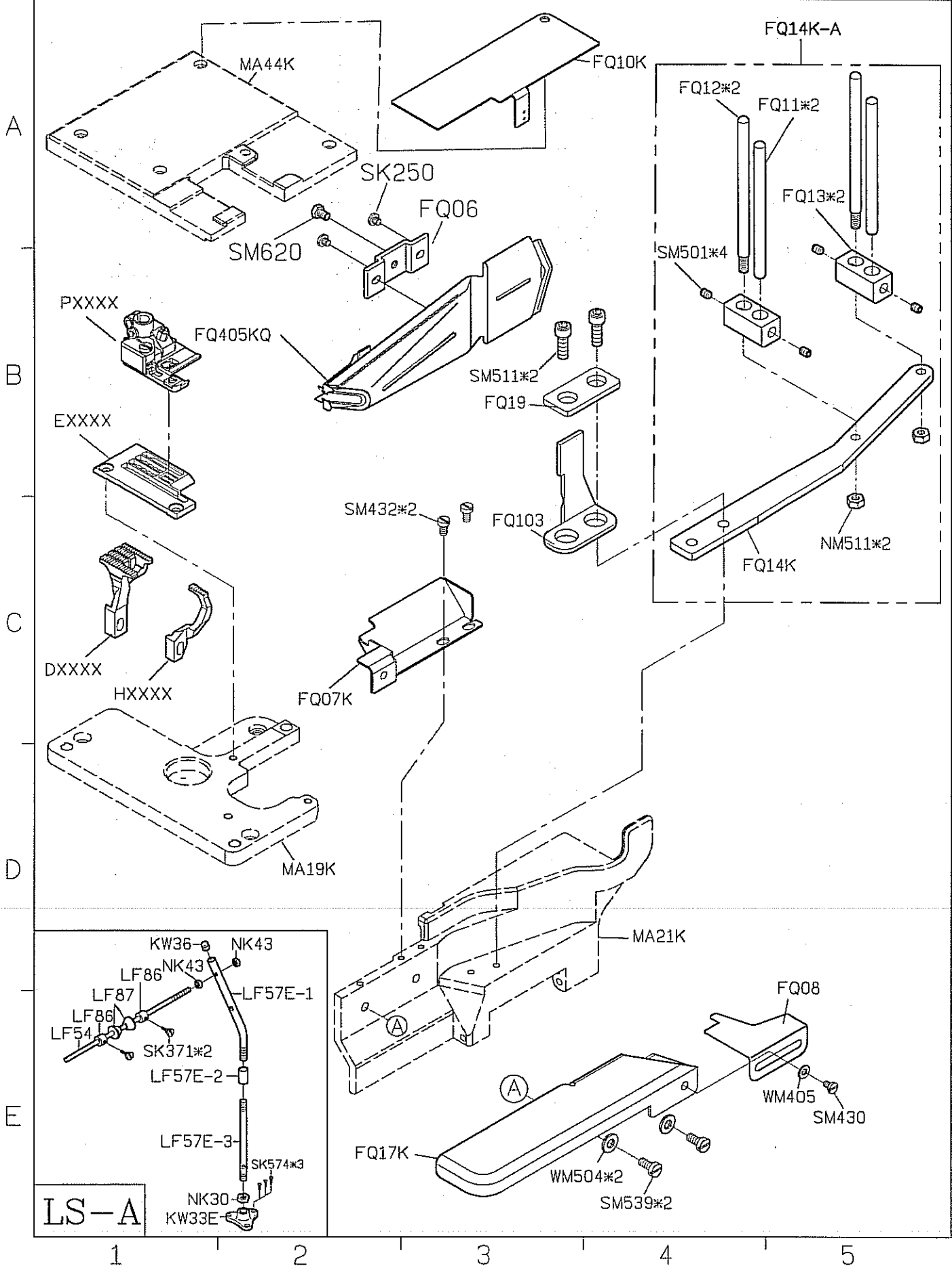
For F007K/F858K

Page

3/3

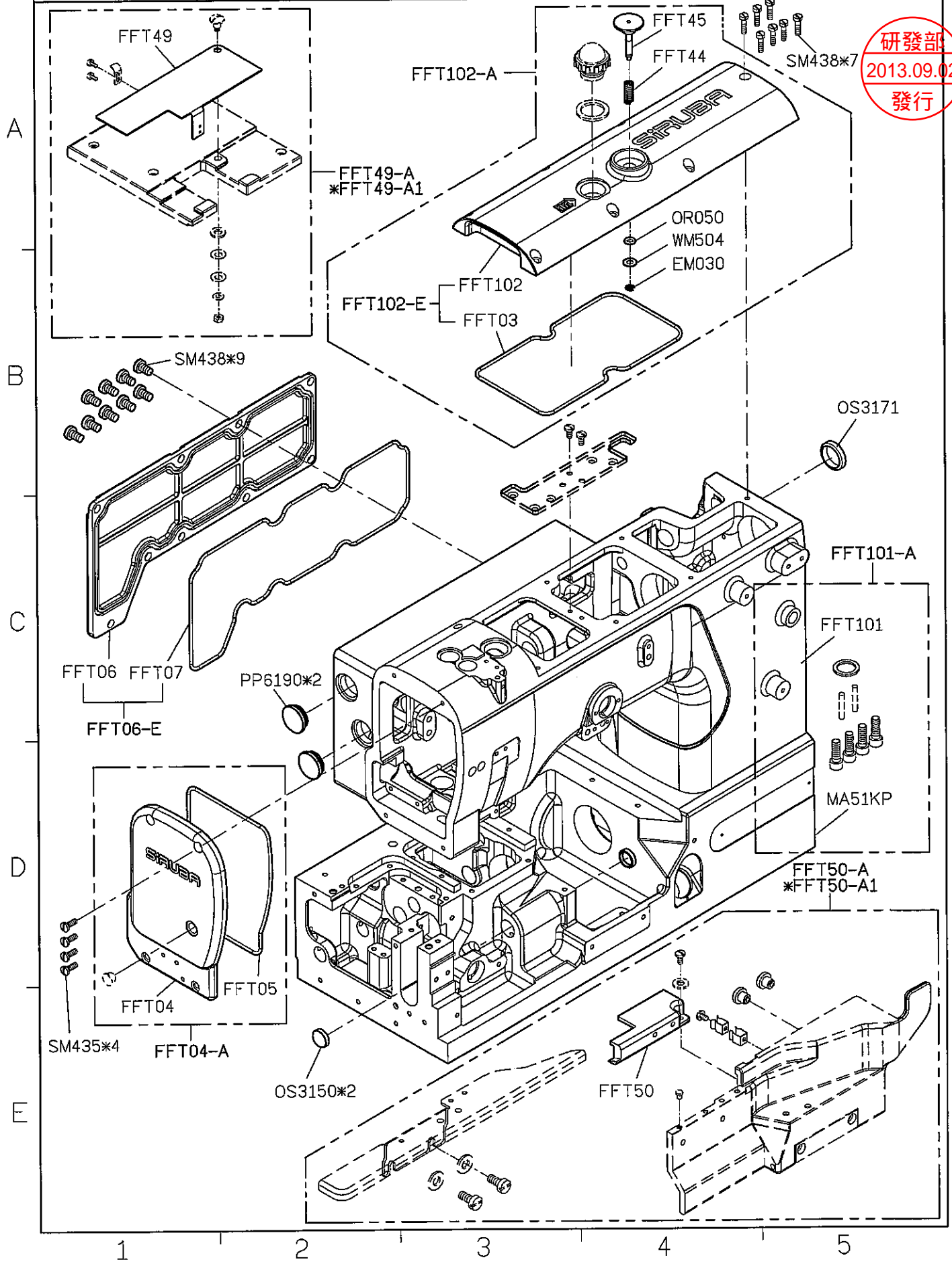
Date

2013/01/18

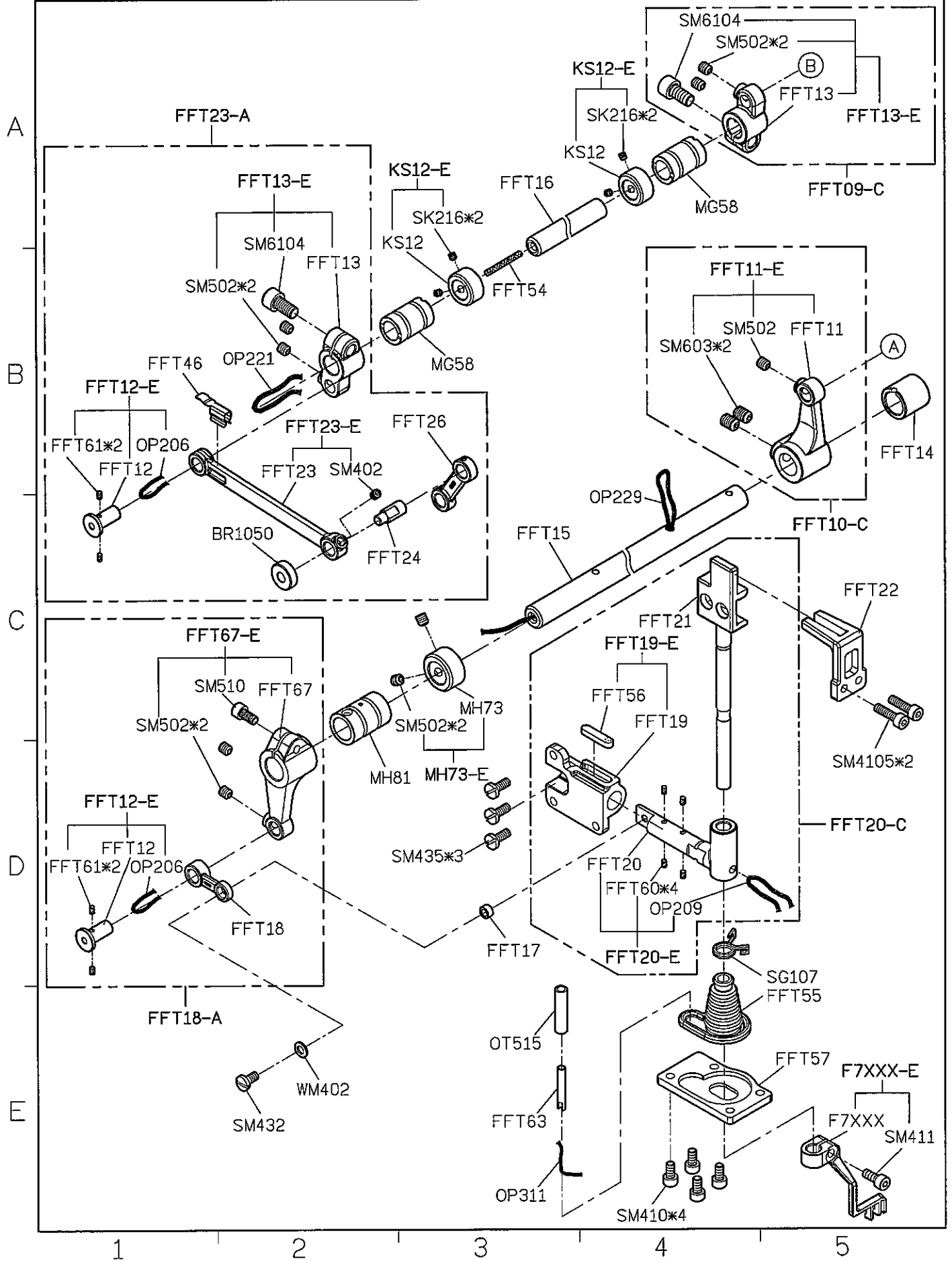


SIRUBA PARTS LIST	Series	Parts Group	Subclass / Remark	Page
	F007KD	FFT	* Use for UT	1/7
				Date 2013/09/02

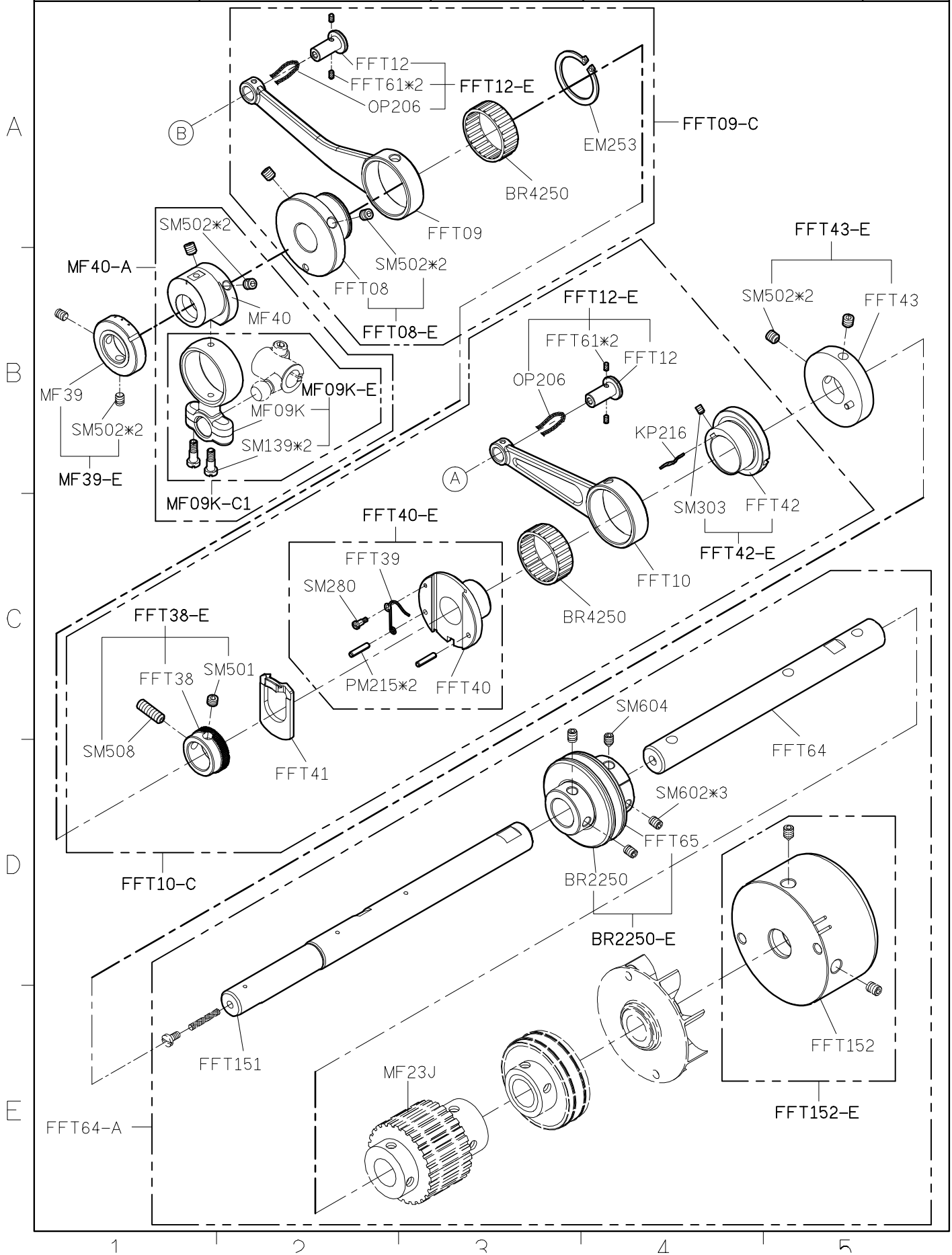
研發部
 2013.09.02
 發行



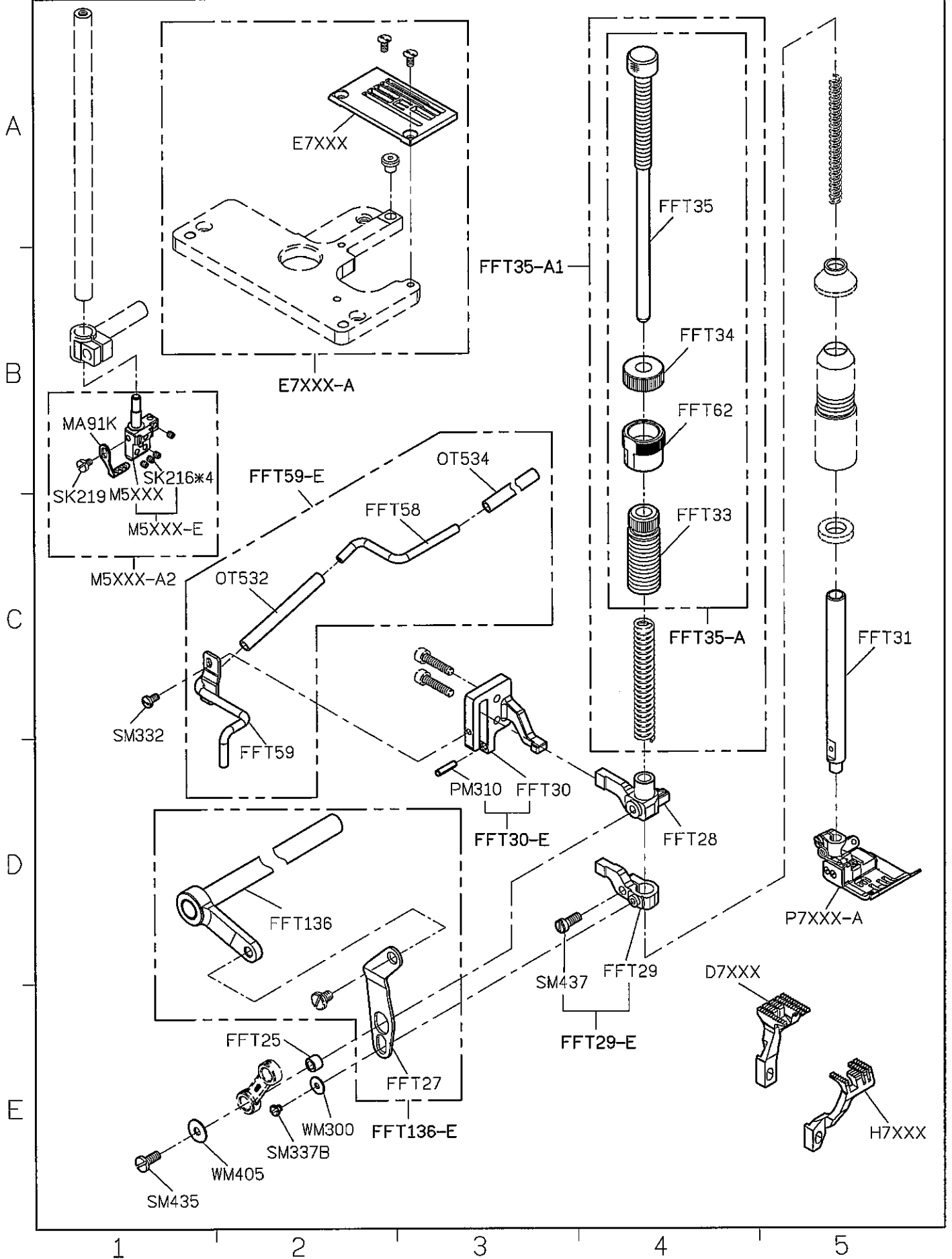
SIRUBA PARTS LIST	Series	Parts Group	Subclass / Remark	Page
	F007KD	FFT		2/7
				Date
				2013/08/16



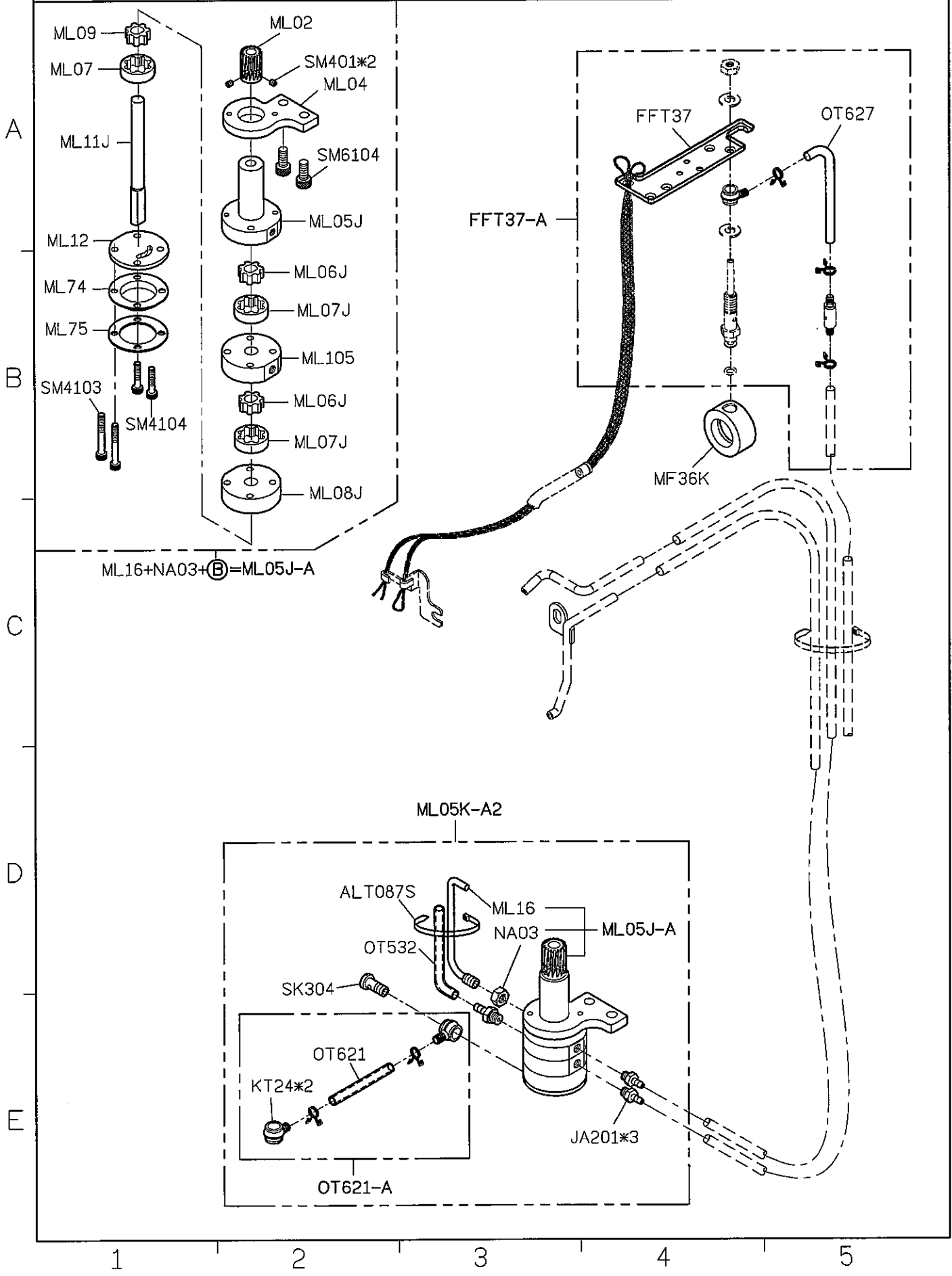
SIRUBA PARTS LIST	Series	Parts Group	Subclass / Remark	Page
	F007KD	FFT		3/7
				Date
				2012/12/25



SIRUBA PARTS LIST	Series	Parts Group	Subclass / Remark	Page
	F007KD	FFT		4/7
				Date
				2013/08/14



SIRUBA PARTS LIST	Series	Parts Group	Subclass / Remark	Page
	F007KD	FFT		5/7
				Date
				2013/09/09



SIRUBA PARTS LIST	Series	Parts Group	Subclass / Remark	Page
	F007KD	FFT	Use for UT	6/7
				Date
				2014/03/10

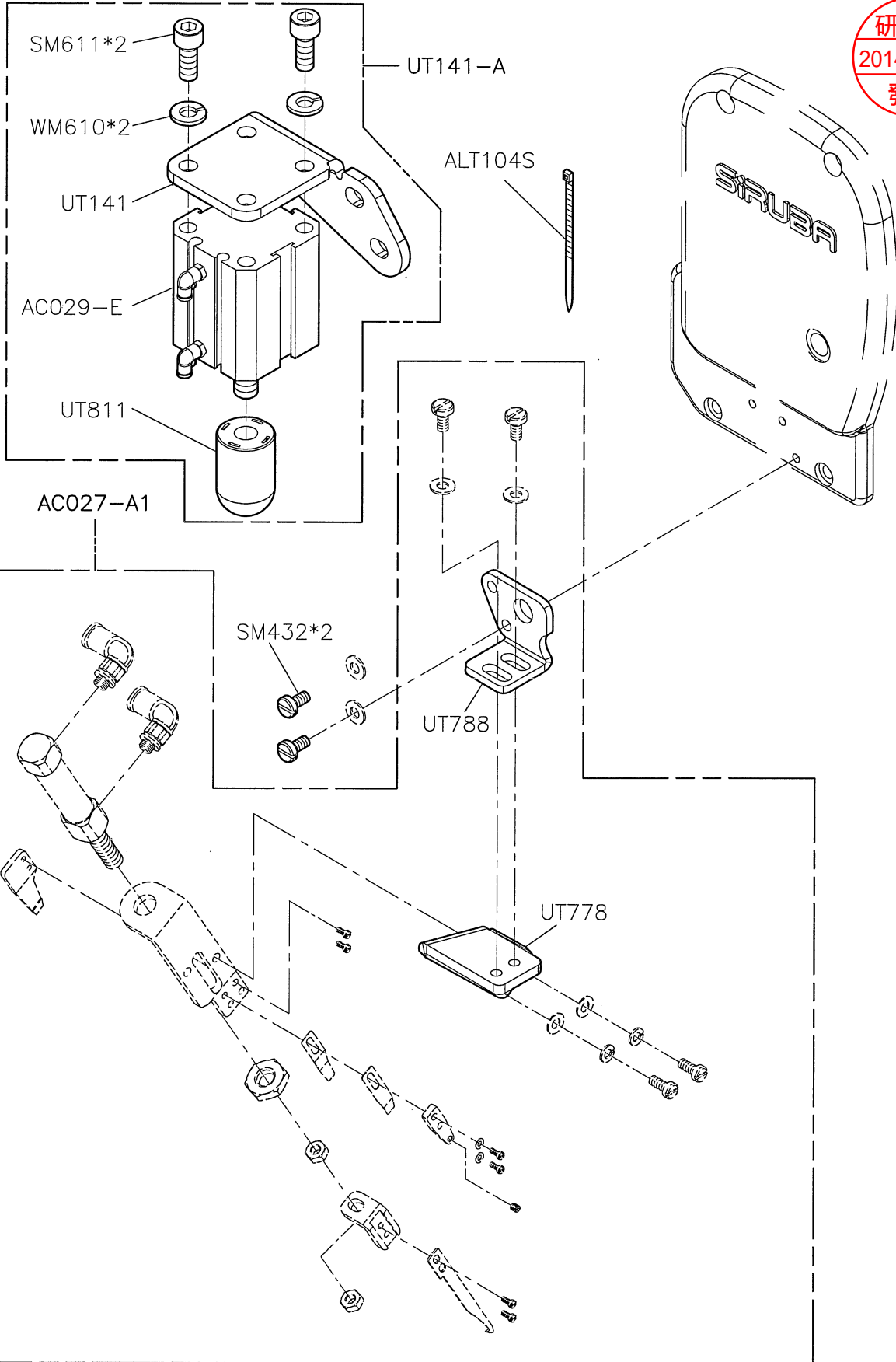
A

B

C

D

E



研發部
 2014.03.19
 發行

1

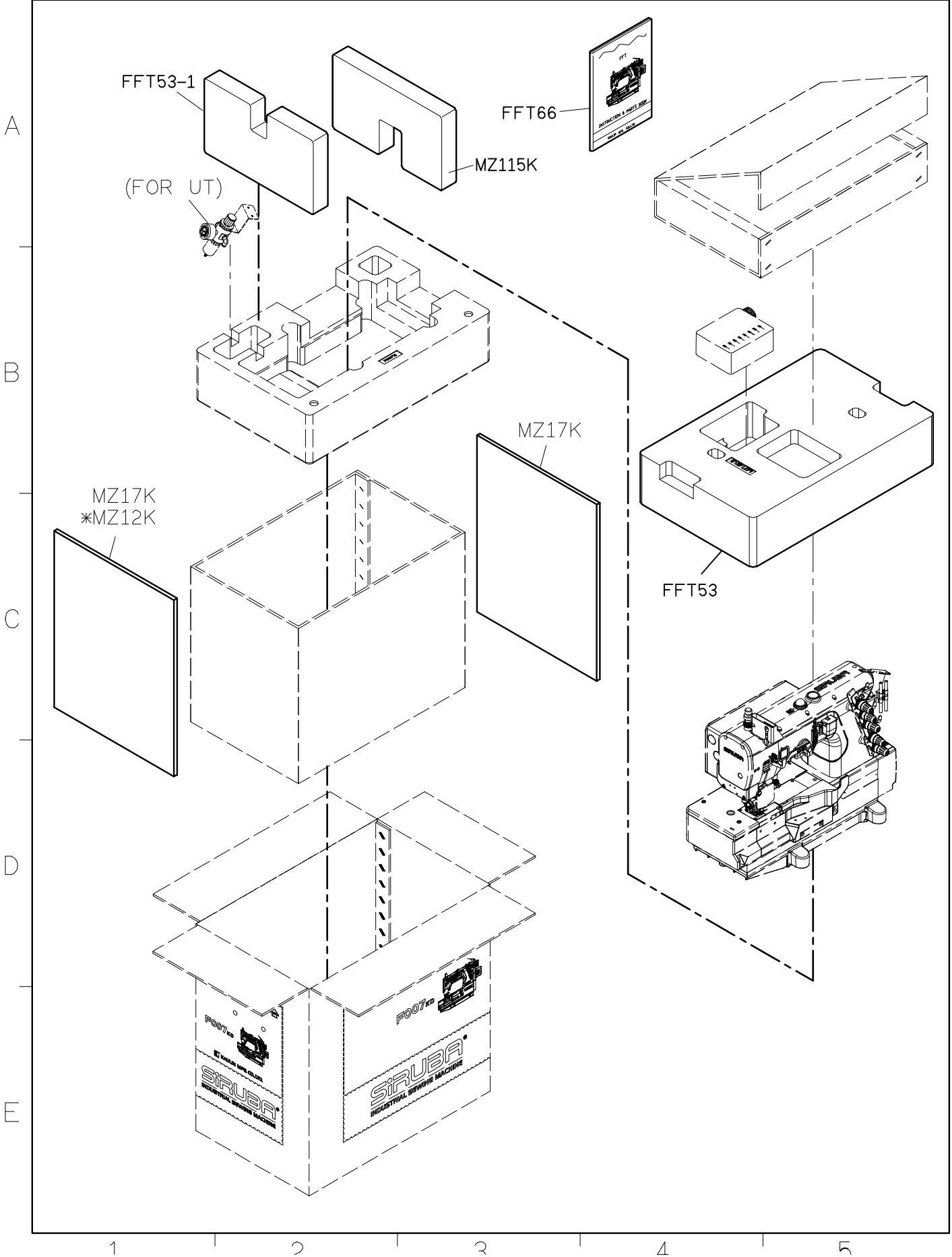
2

3

4

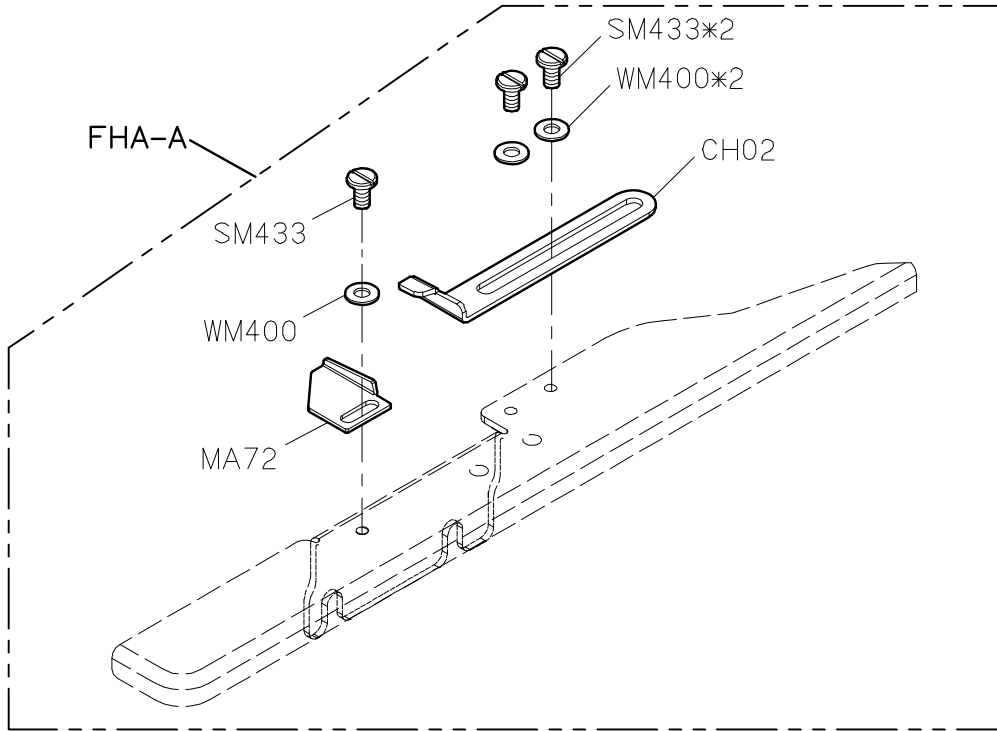
5

SIRUBA PARTS LIST	Series	Parts Group	Subclass / Remark	Page
	F007KD	FFT	* Use for UT	7/7
				Date
				2012/08/20

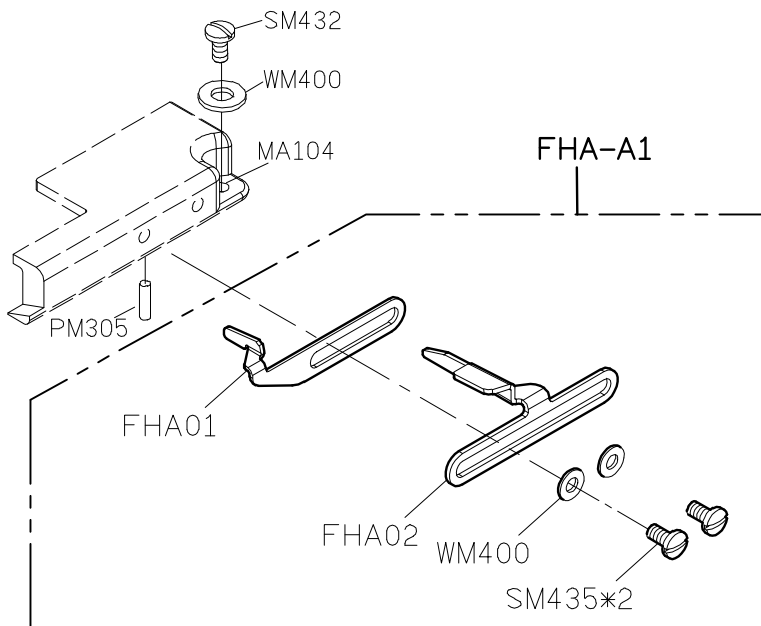


SIRUBA PARTS LIST	Series	Parts Group	Subclass / Remark	Page
	F007K/KD F858K/KD	FHA-K		1/1
				Date 2012/10/31

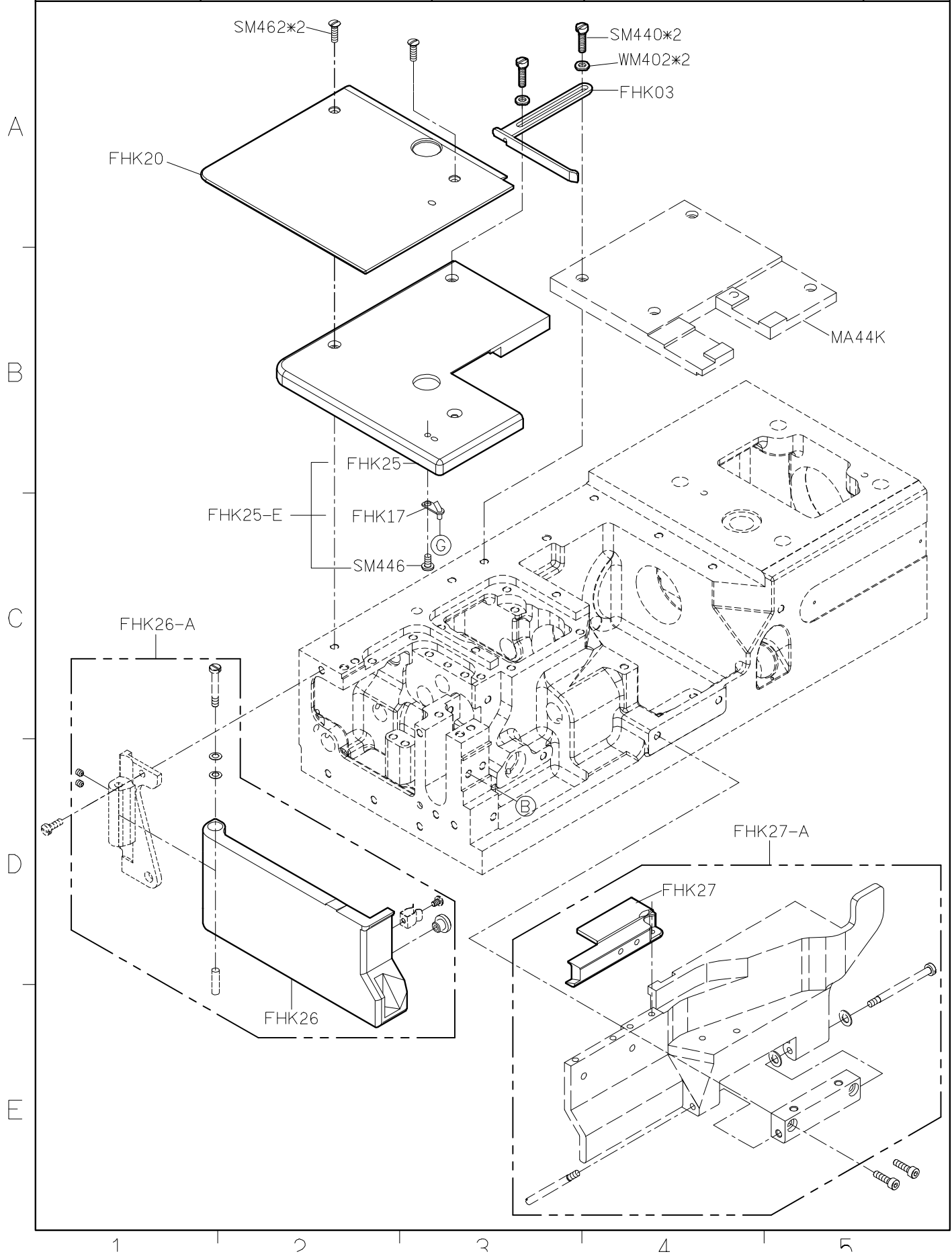
FOR FHA TYPE

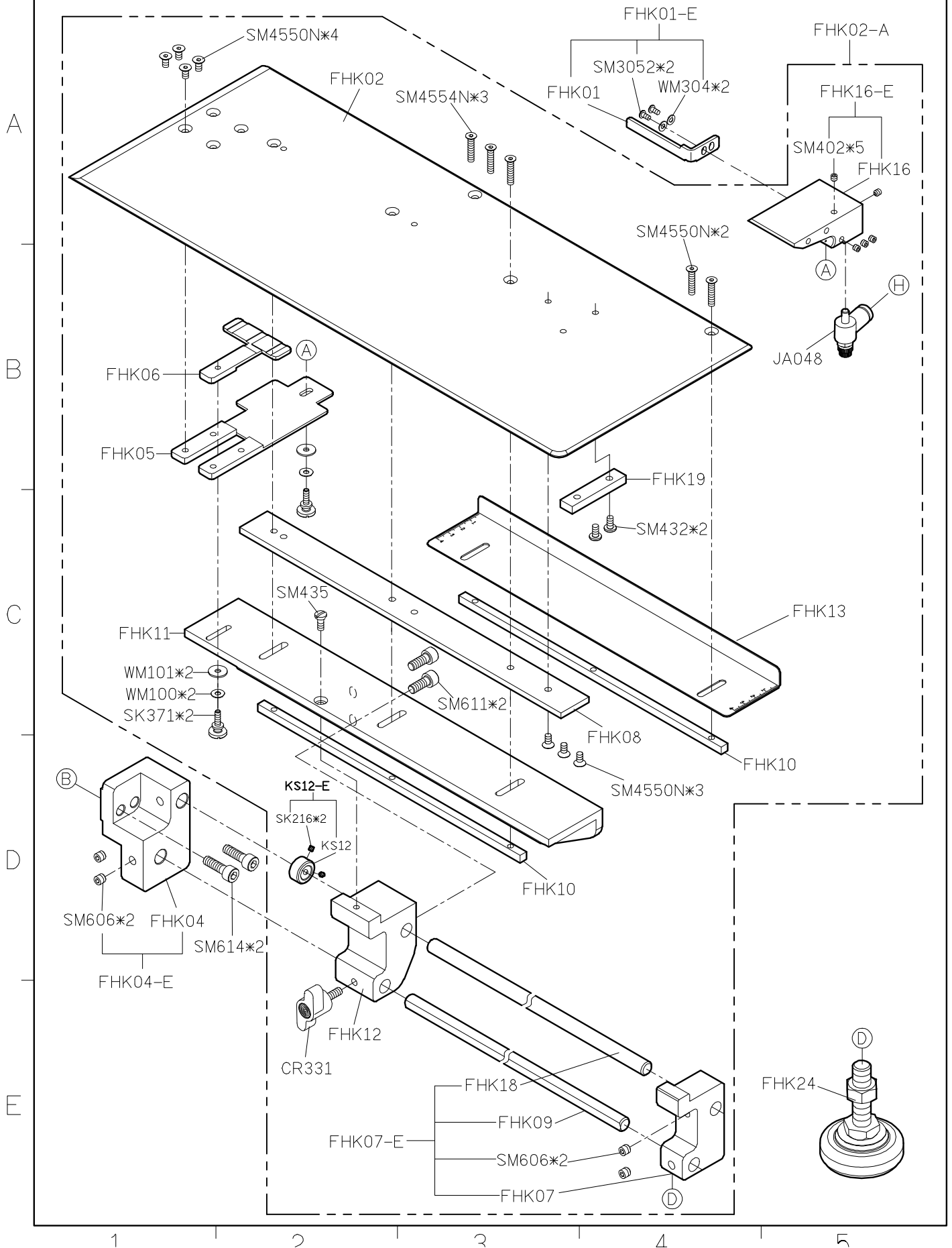


FOR FHA/FQ TYPE
OPTION DEVICE FOR FQ MACHINE
CONVERT TO FHA BOTTOM HEMMING

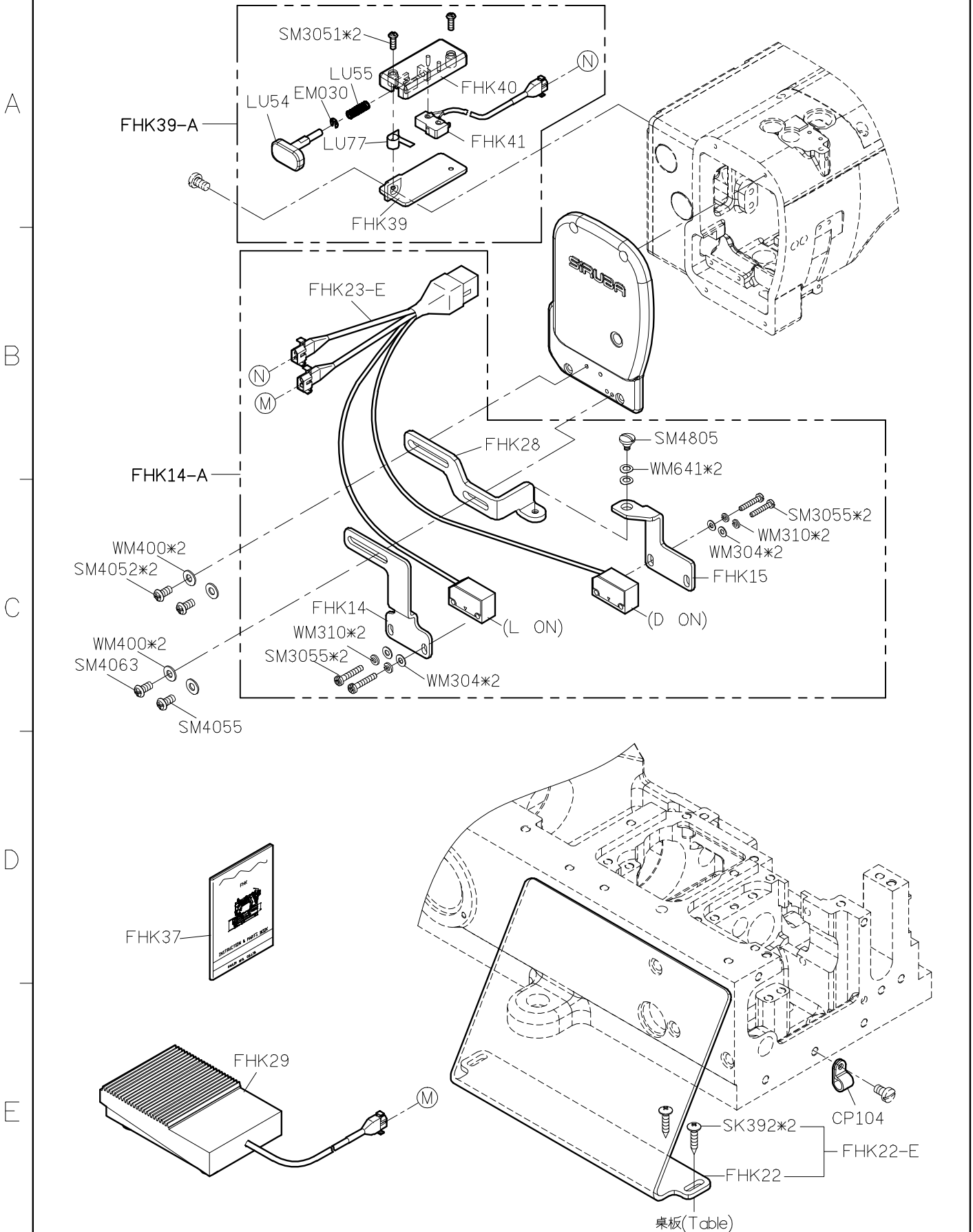


SIRUBA PARTS LIST	Series	Parts Group	Subclass / Remark	Page
	F007KD	FHK		1/6
				Date
				2012/08/20





SIRUBA PARTS LIST	Series	Parts Group	Subclass / Remark	Page
	F007KD	FHK		3/6
				Date
				2012/08/20



1

2

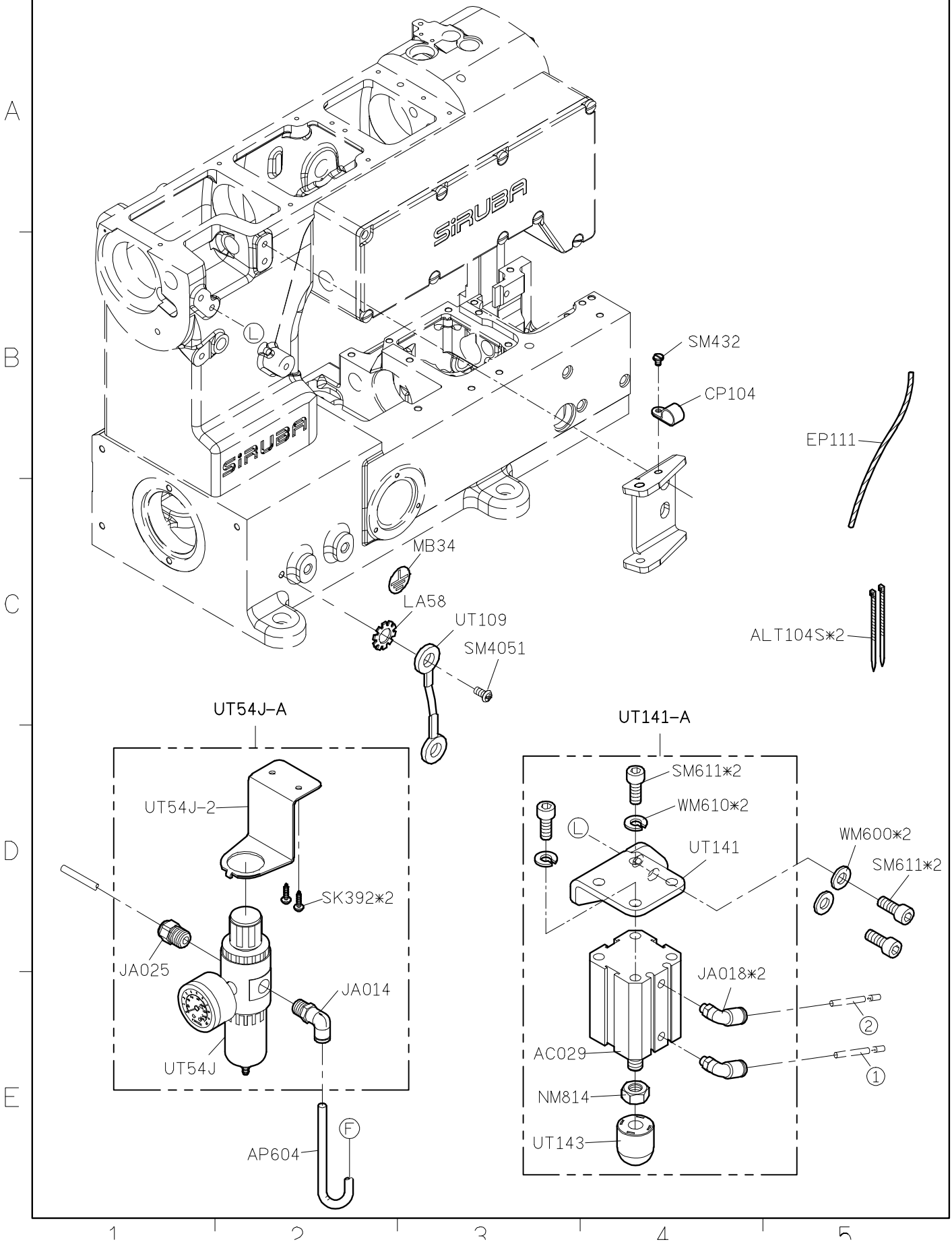
3

4

5

桌板(Table)

SIRUBA PARTS LIST	Series	Parts Group	Subclass / Remark	Page
	F007KD	FHK		4/6
				Date
				2012/08/20



SIRUBA PARTS LIST	Series	Parts Group	Subclass / Remark	Page
	F007KD	FHK		5/6
				Date
				2012/08/20

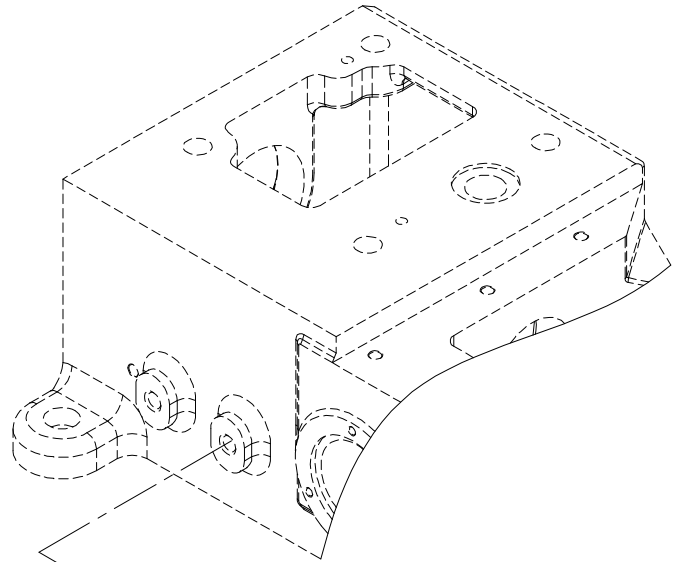
A

B

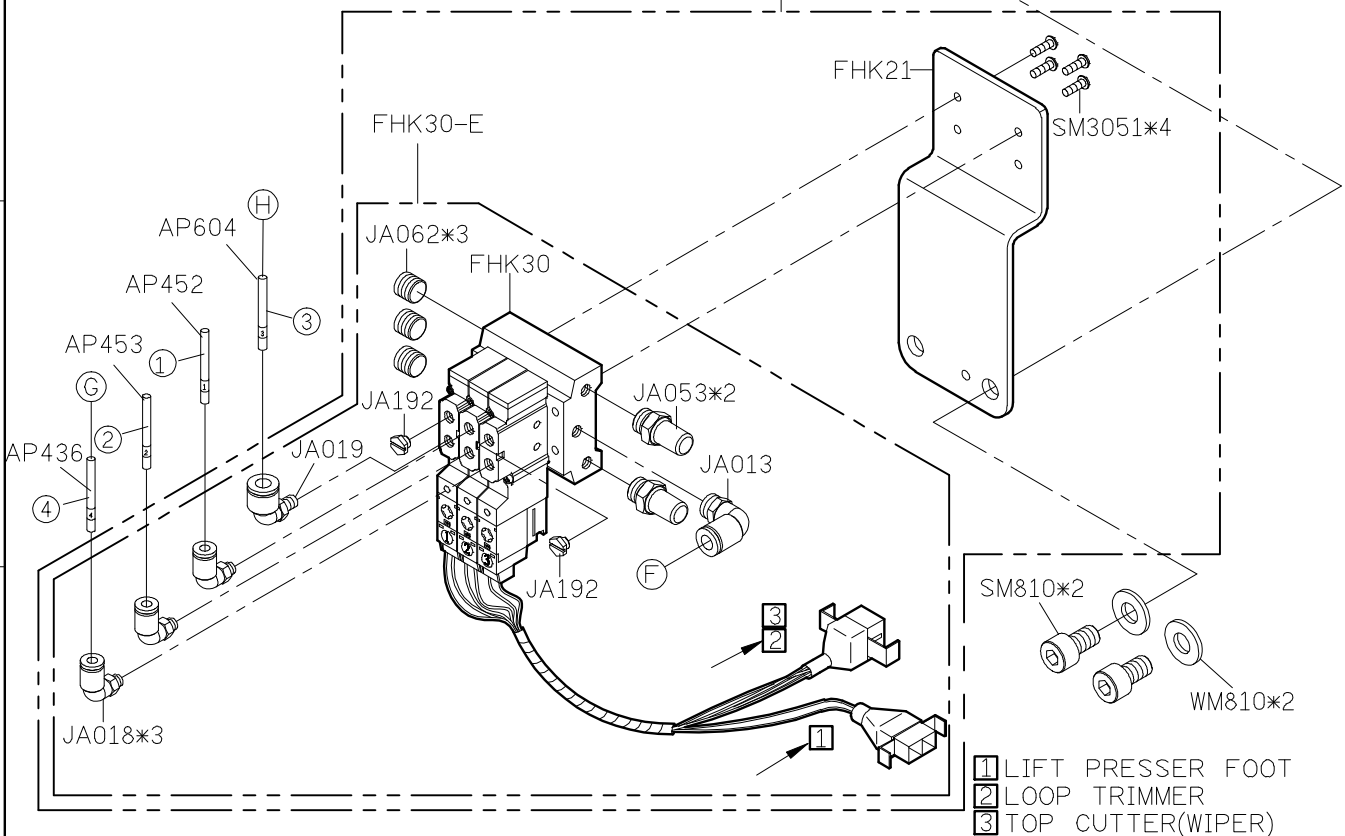
C

D

E



FHK30-A



- 1 LIFT PRESSER FOOT
- 2 LOOP TRIMMER
- 3 TOP CUTTER(WIPER)

1

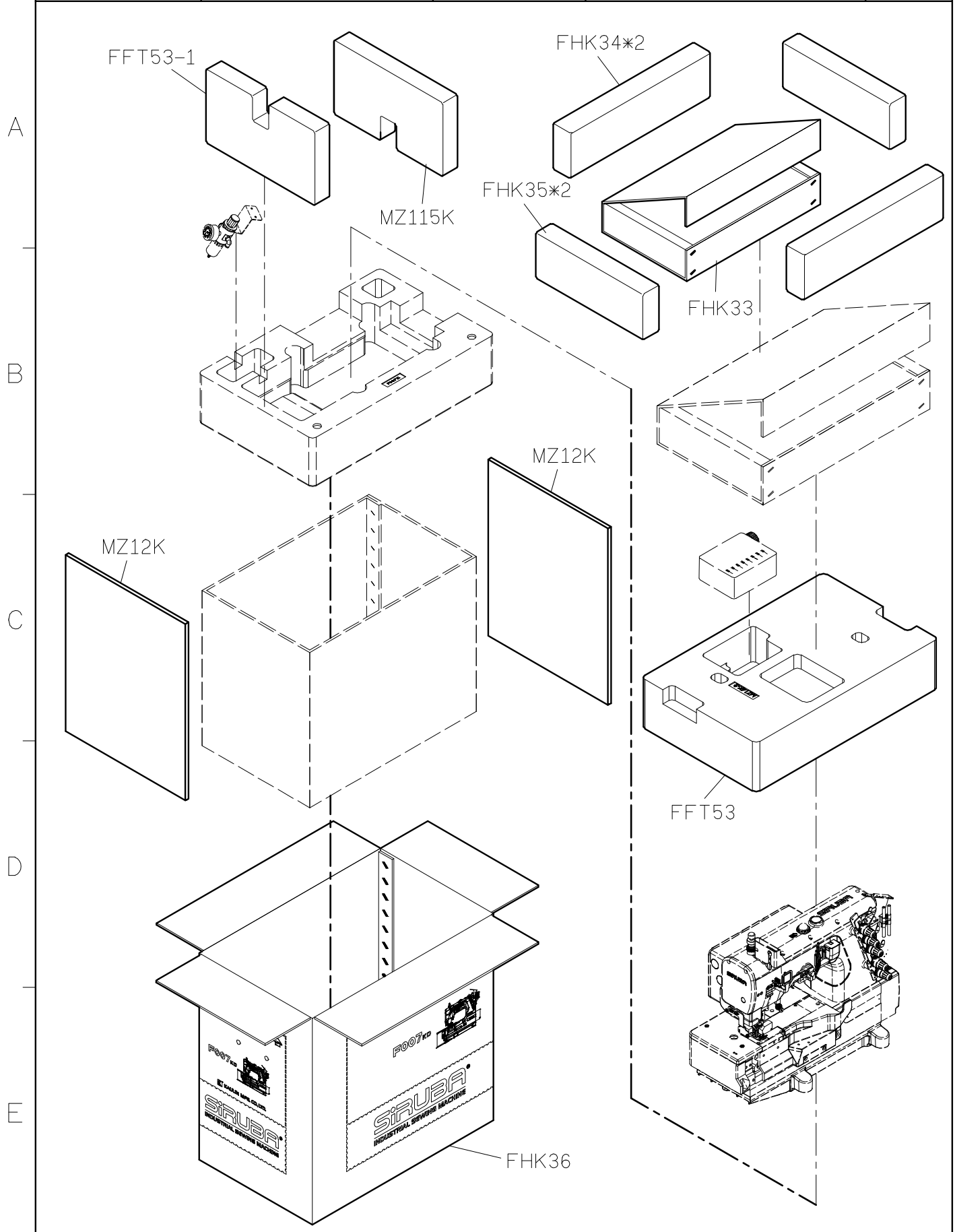
2

3

4

5

SIRUBA PARTS LIST	Series	Parts Group	Subclass / Remark	Page
	F007KD	FHK		6/6
				Date
				2012/08/20



1

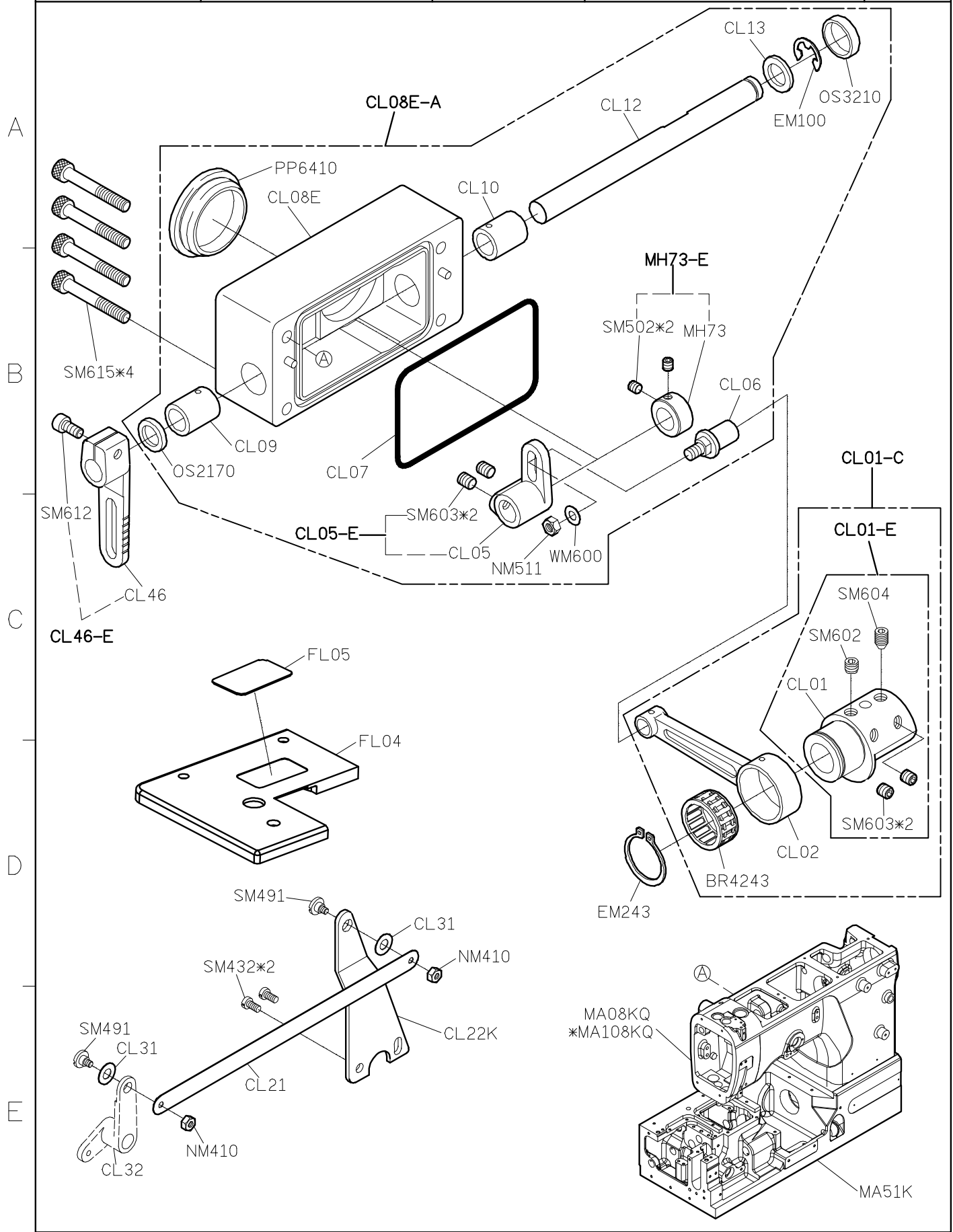
2

3

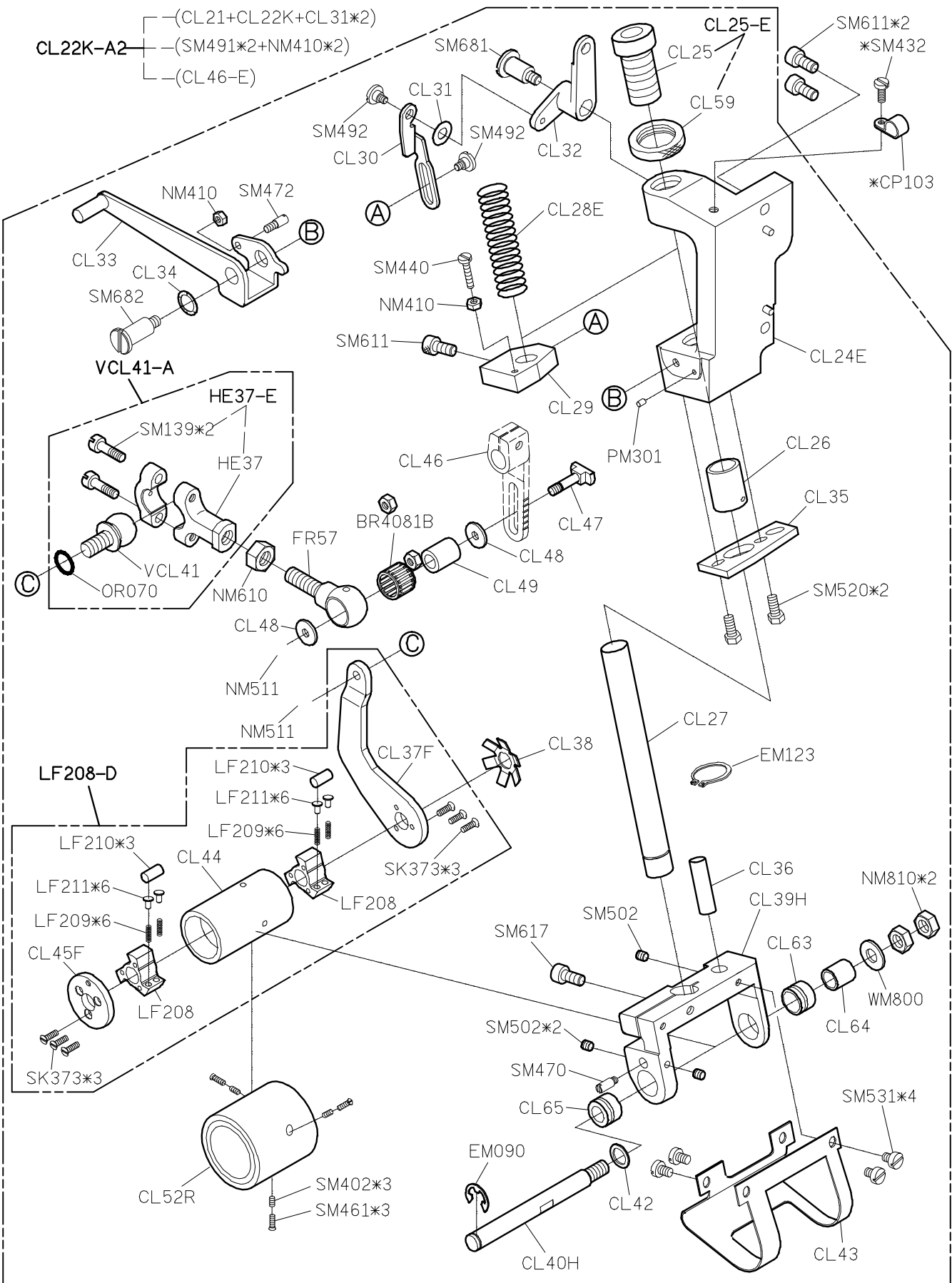
4

5

SIRUBA PARTS LIST	Parts Group		Subclass / Remark	Page
	F007K/F007KD		FL-K	1/2
	F858K/F858KD			Date
				2012/10/31



A
B
C
D
E



1 2 3 4 5

SIRUBA PARTS LIST	Series	Parts Group	Subclass / Remark	Page
	F007K/F007KD F858K/F858KD	FP-K		1/1
				Date
				2012/10/31

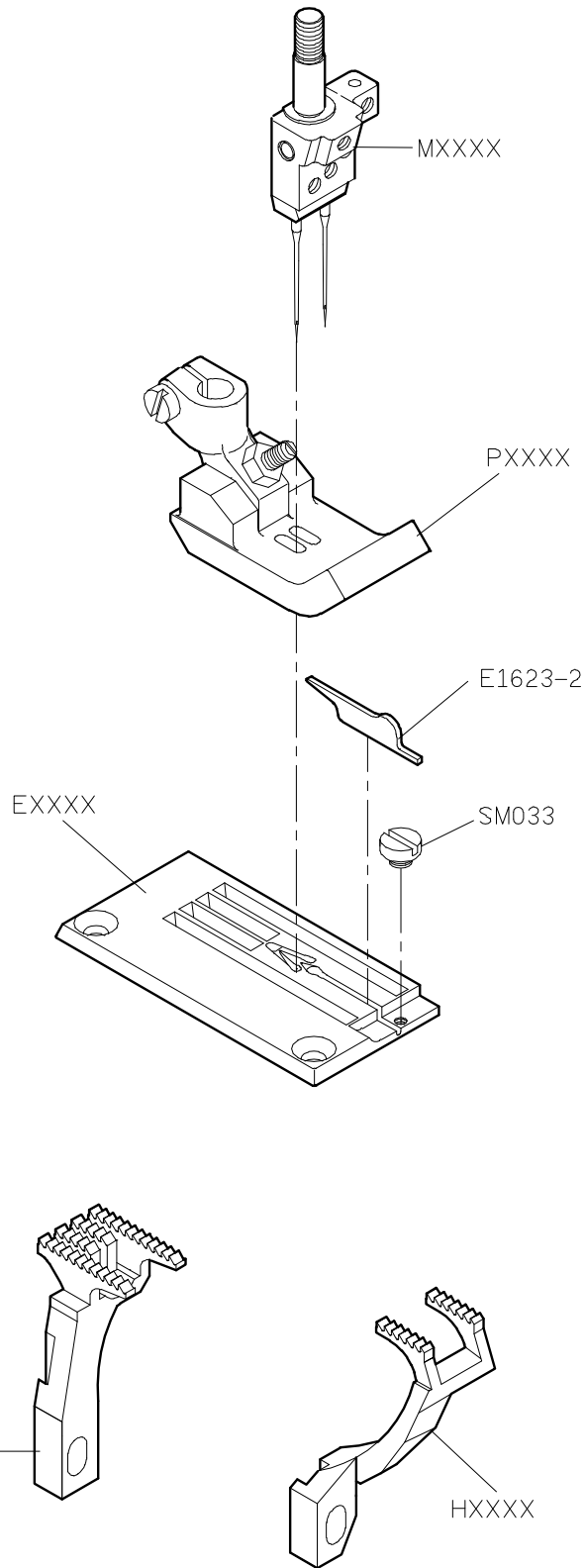
A

B

C

D

E



SIRUBA

PARTS LIST

Series

F007K/F007KD
F858K/F858KD

Parts Group

FQ-K

Subclass / Remark

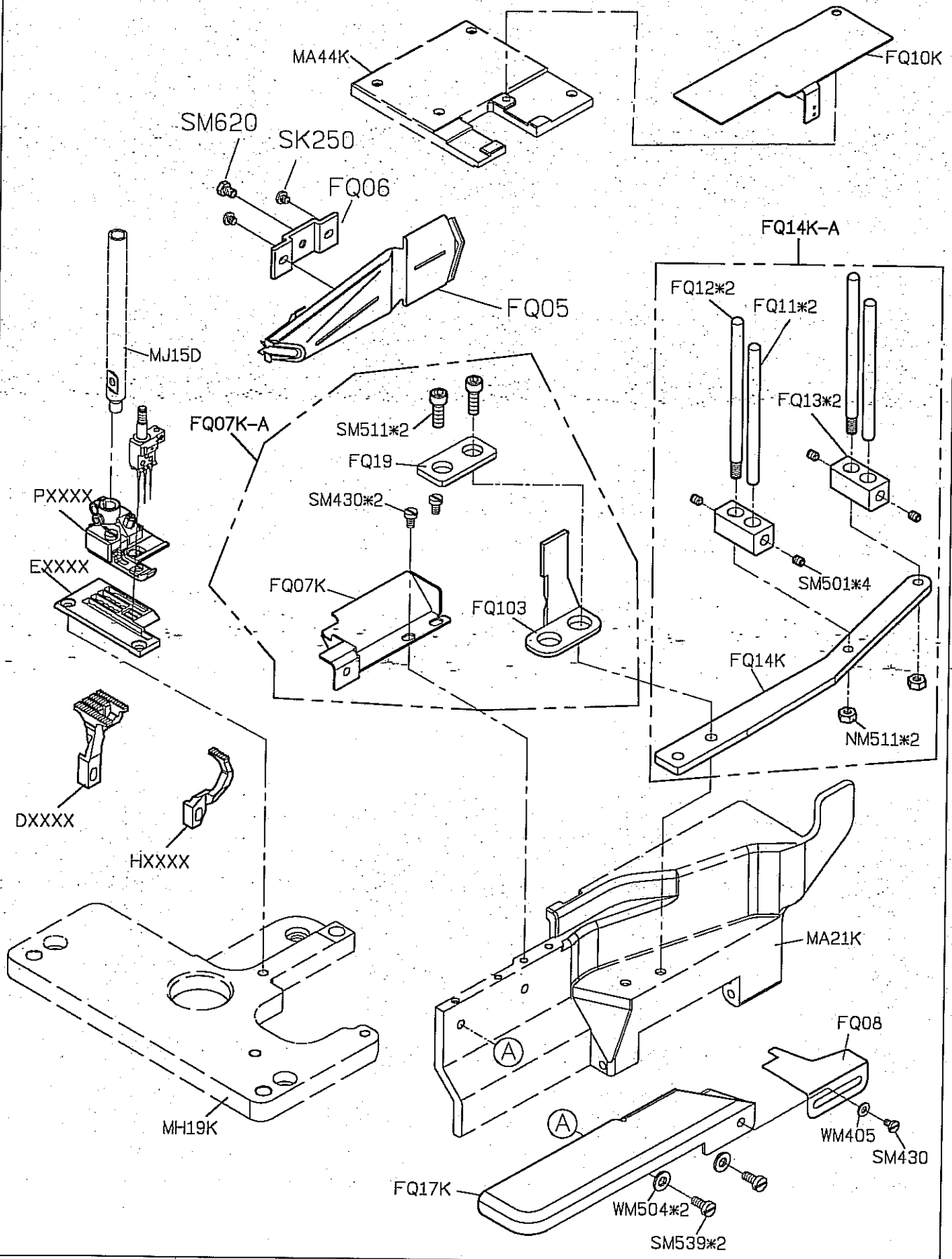
Page

1/1

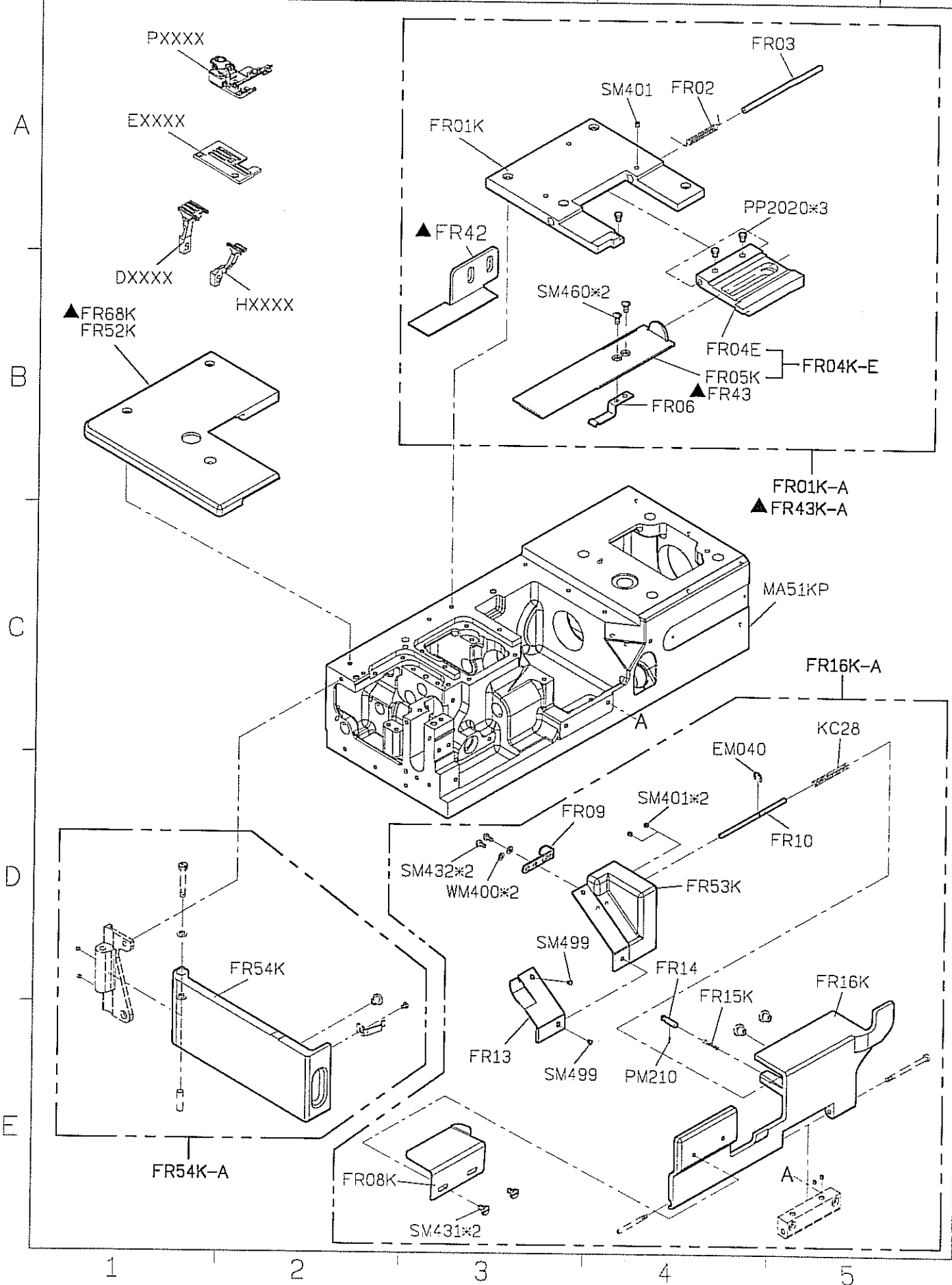
Date

2013/11/04

A
B
C
D
E



1 2 3 4 5



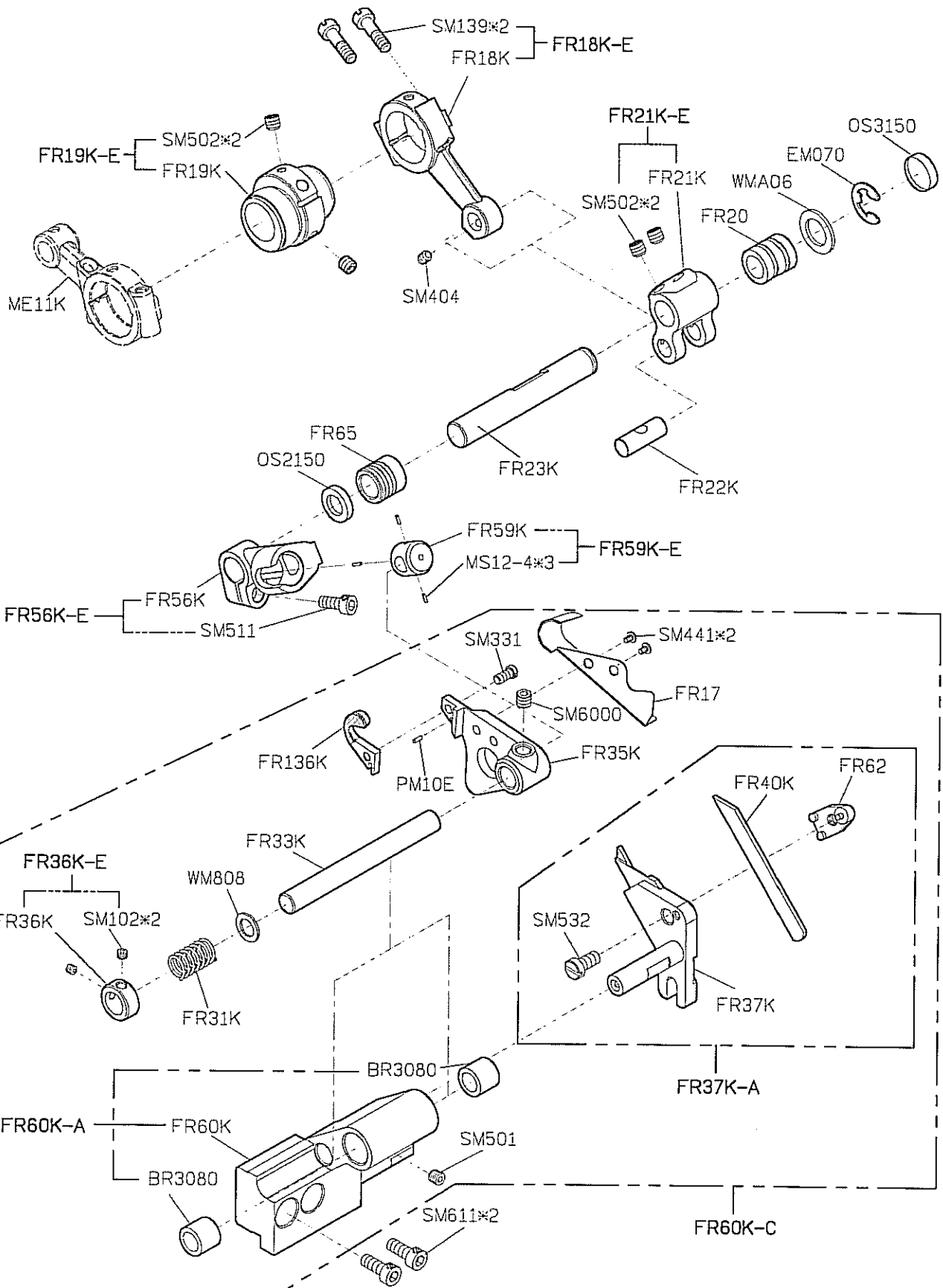
A

B

C

D

E



1

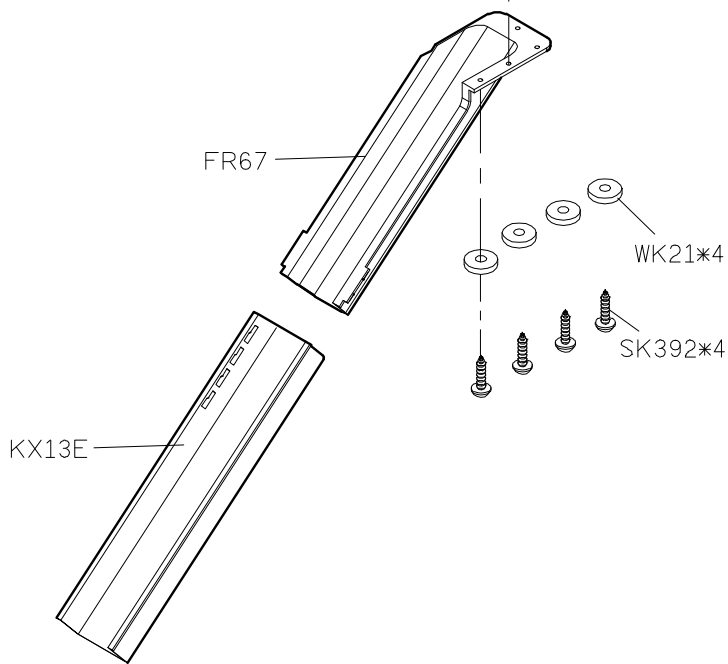
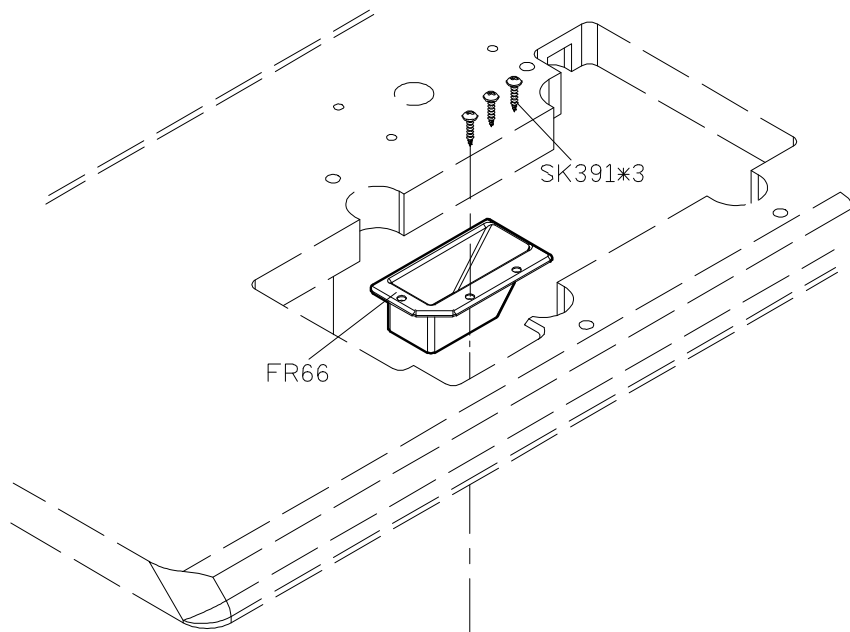
2

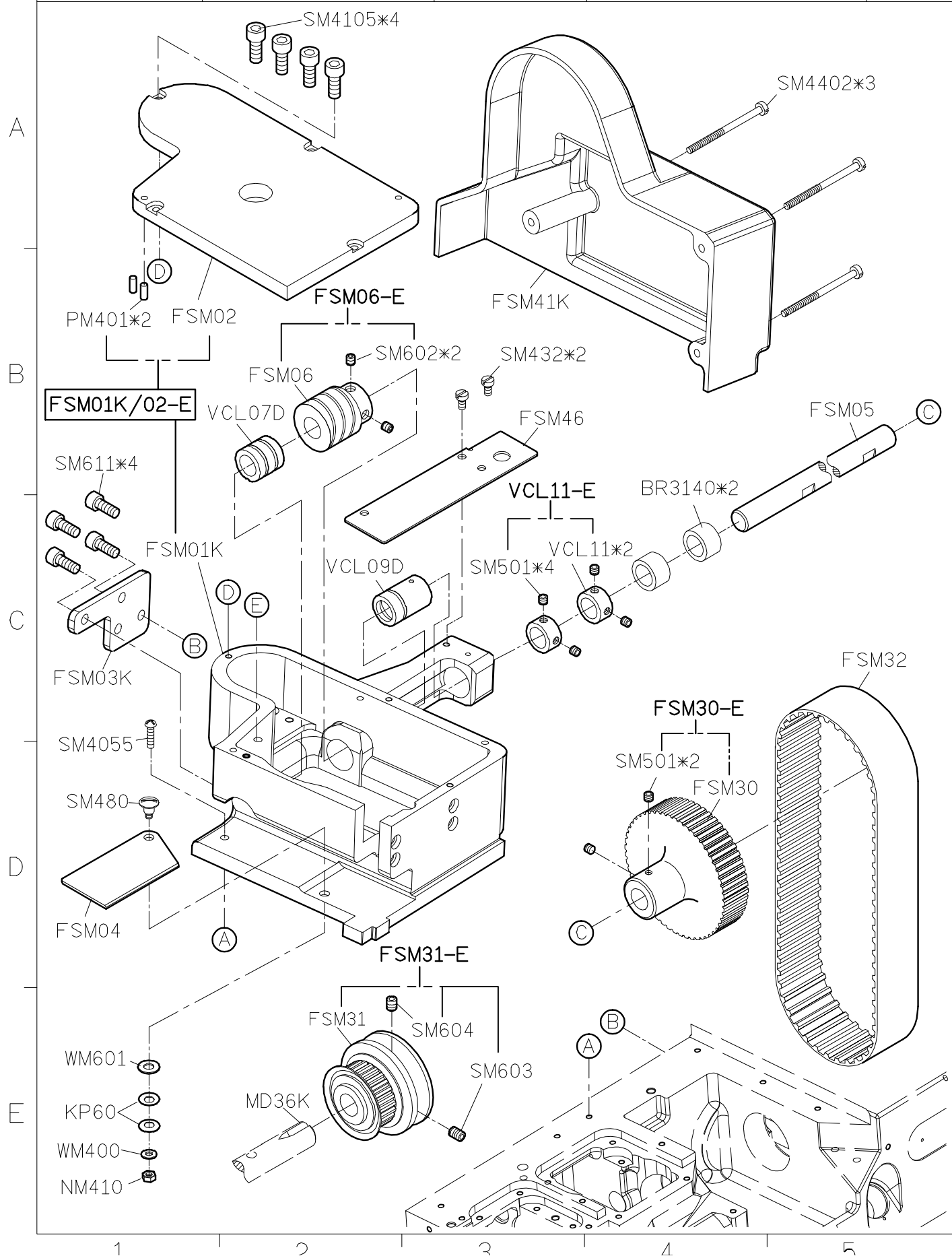
3

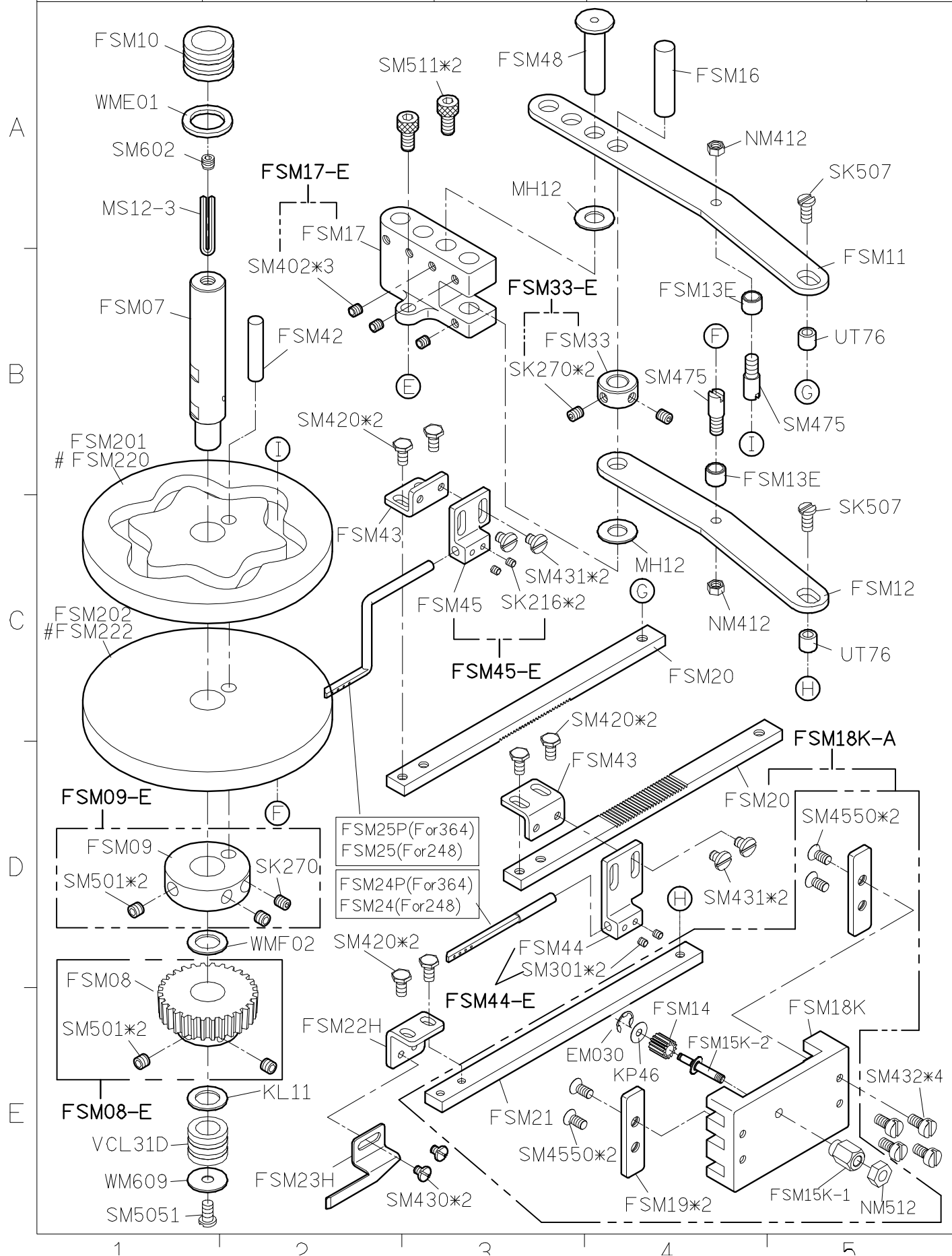
4

5

FR66-A







SIRUBA

PARTS LIST

F007K/F007KD
F858K/F858KD

FSM-K

Parts Group

Subclass / Remark

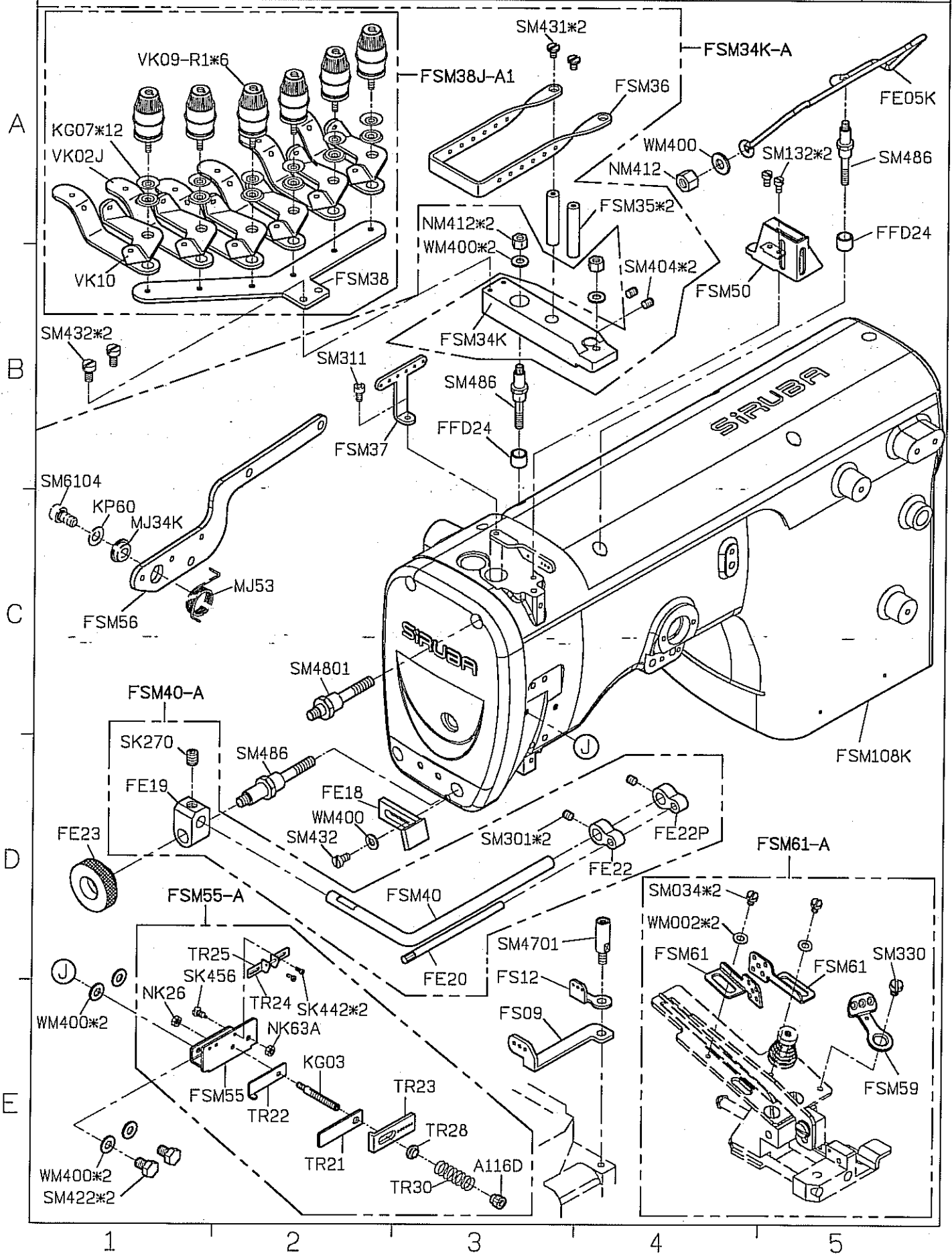
Page

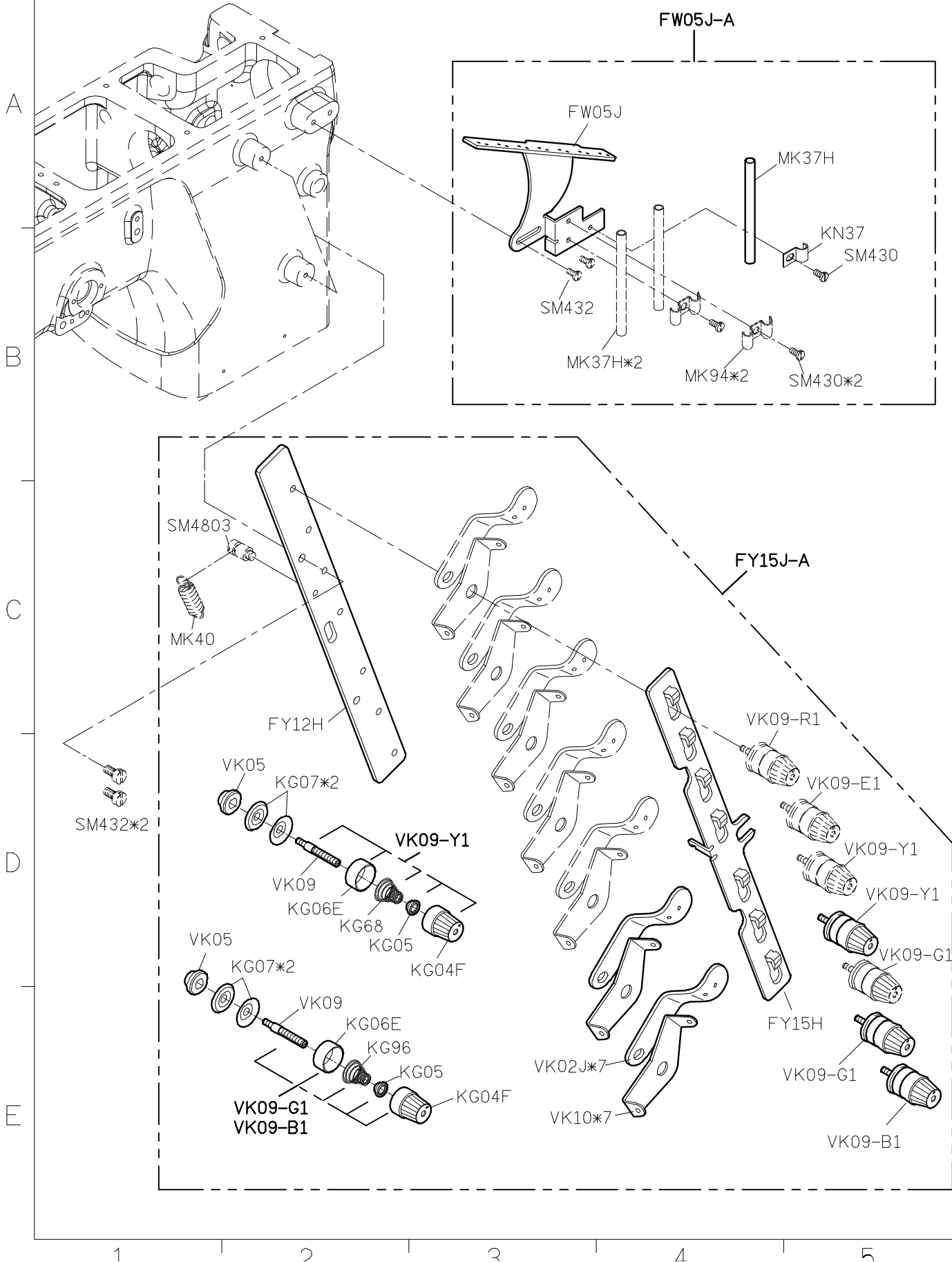
For F007K/F858K

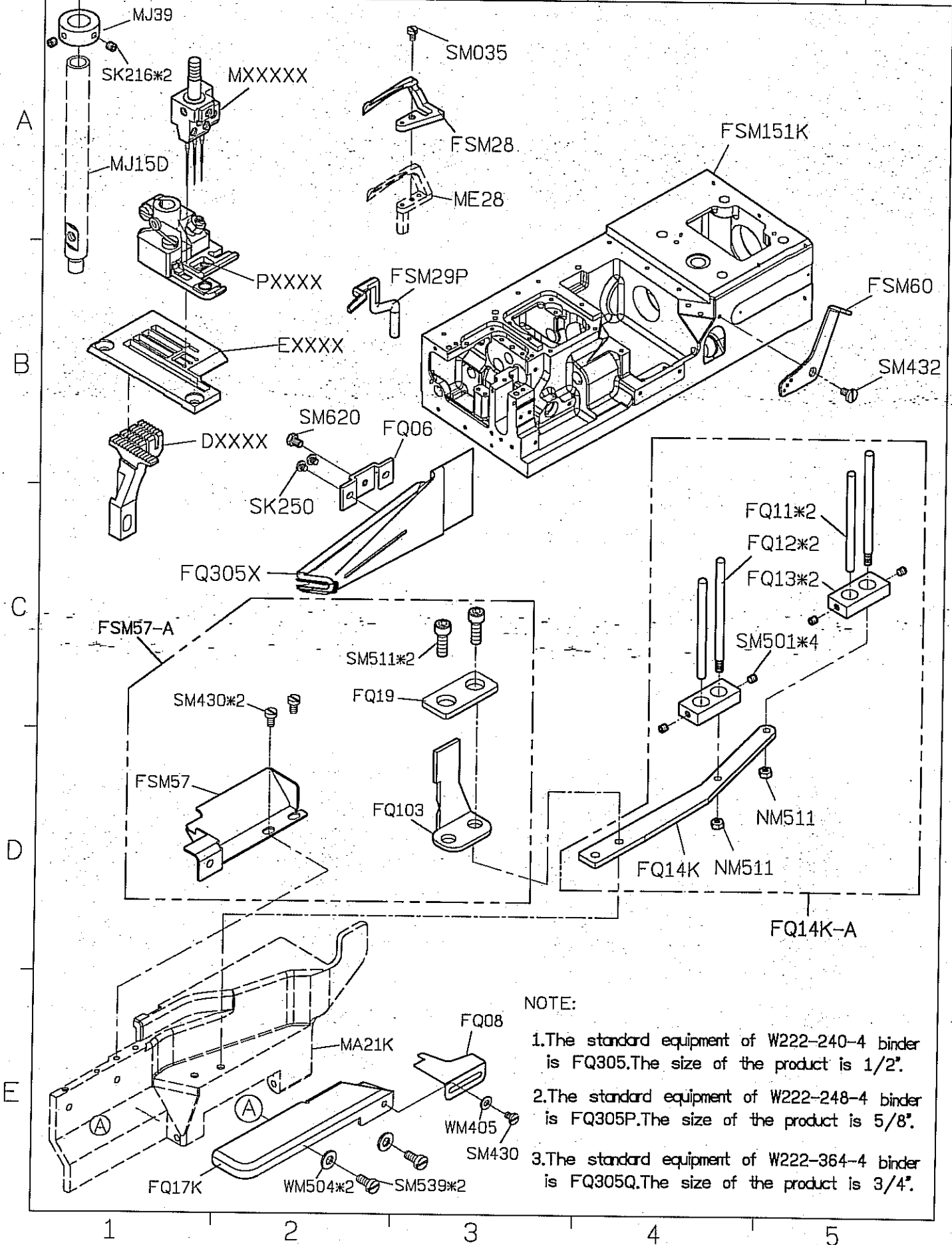
3/6

Date

2013/10/08







NOTE:

- 1.The standard equipment of W222-240-4 binder is FQ305.The size of the product is 1/2".
- 2.The standard equipment of W222-248-4 binder is FQ305P.The size of the product is 5/8".
- 3.The standard equipment of W222-364-4 binder is FQ305Q.The size of the product is 3/4".

SIRUBA PARTS LIST	F007K/F007KD F858K/F858KD	Parts Group FSM-K	Subclass / Remark For F007K/F858K	Page 6/6
				Date

VZ07-A

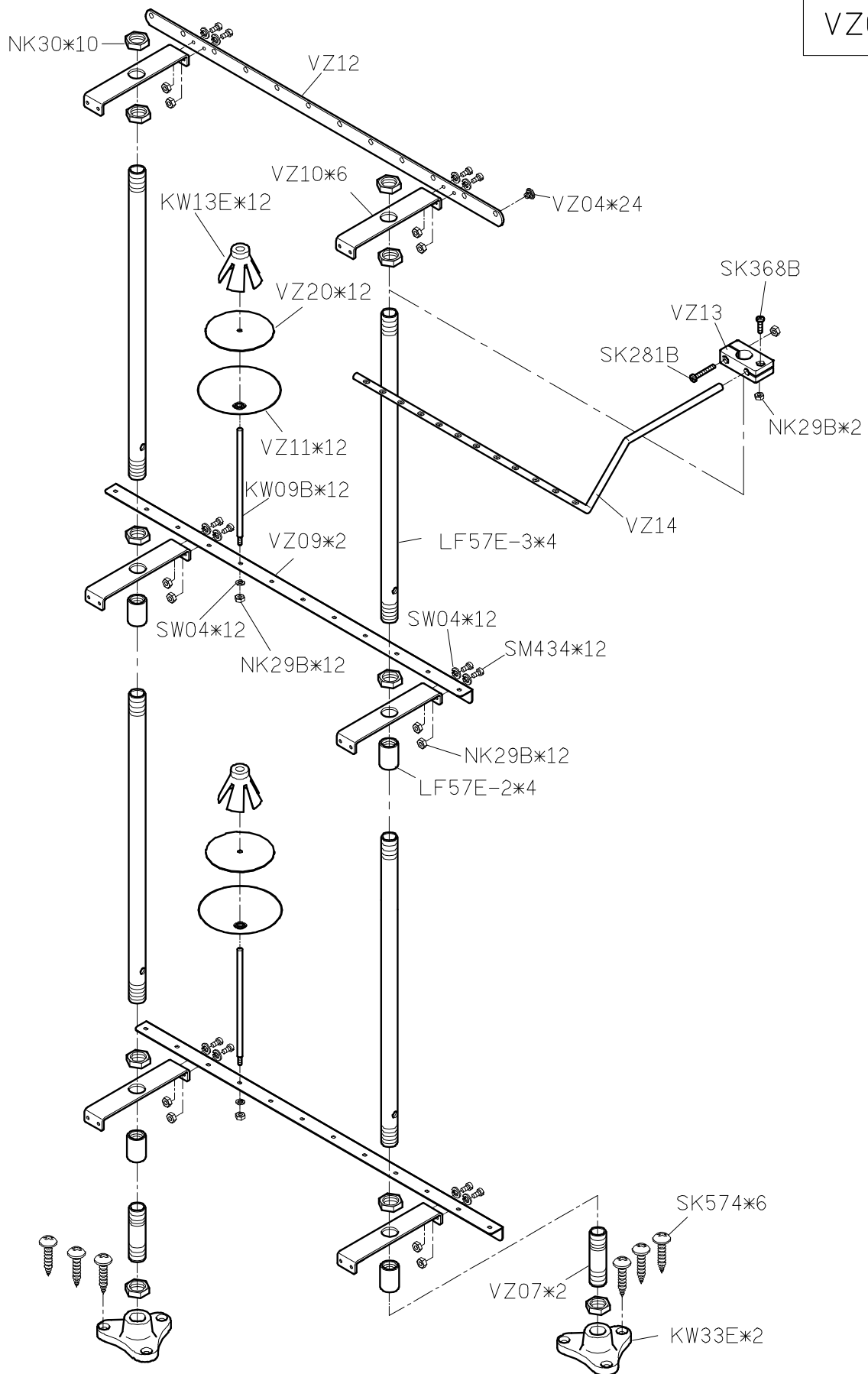
A

B

C

D

E



1 2 3 4 5

SIRUBA

PARTS LIST

Series
F007K/F007KD
F858K/F858KD

Parts Group
FSP-K

Subclass / Remark

Page

1/1

Date

2012/10/31

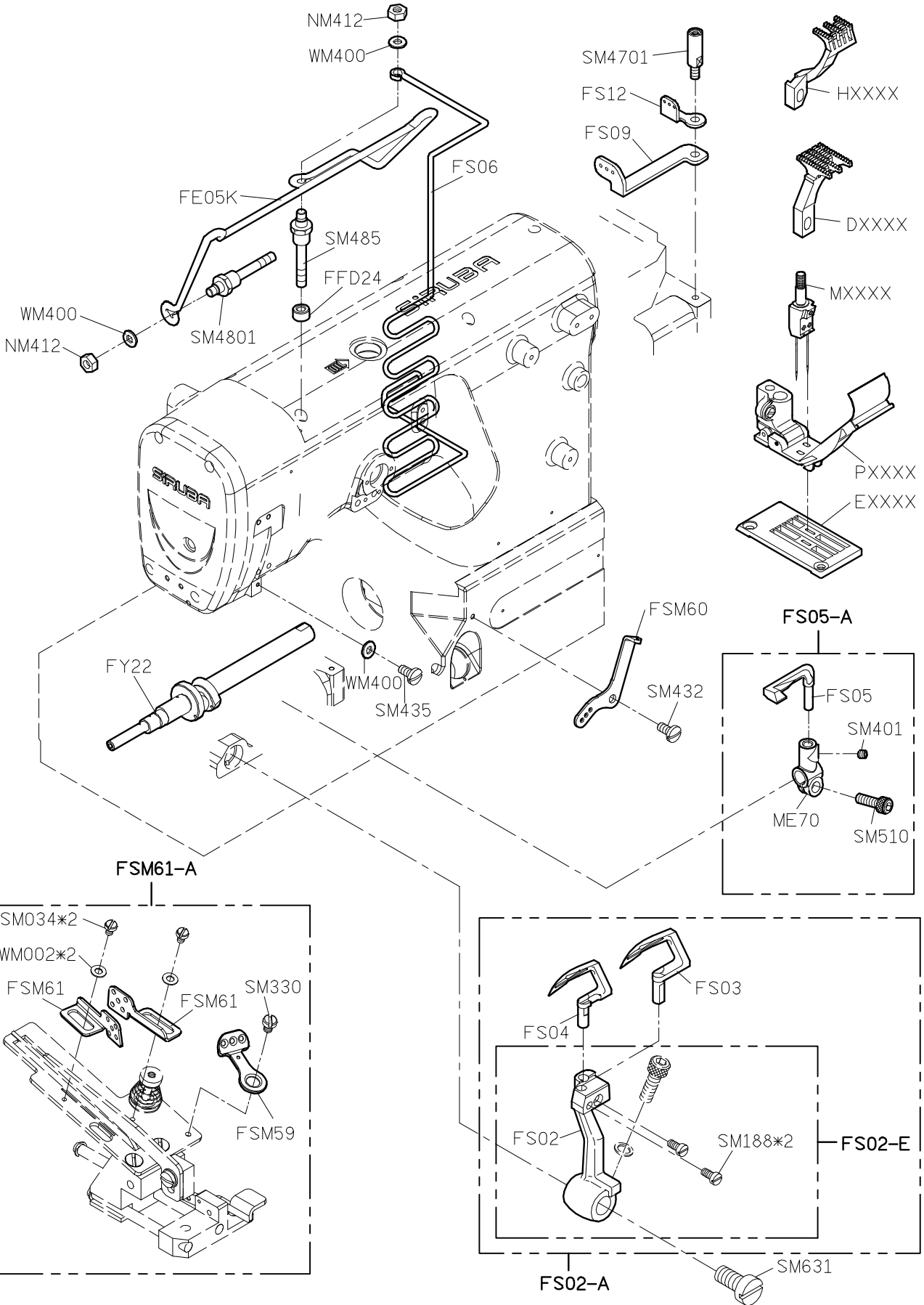
A

B

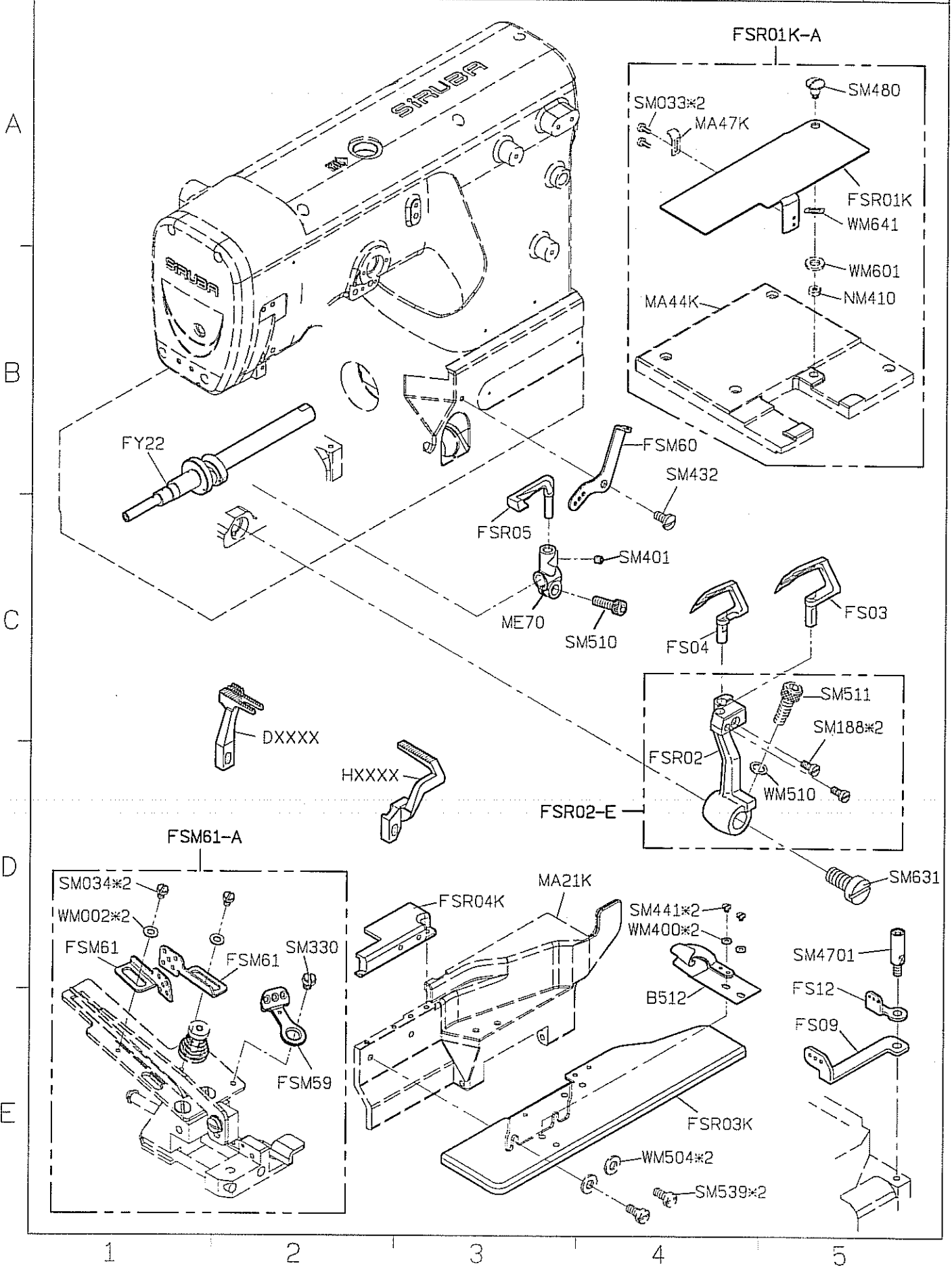
C

D

E



SIRUBA PARTS LIST	Series	Parts Group	Subclass / Remark	Page
	F007K/F007KD	FSR-K		1/1
	F858K/F858KD			Date

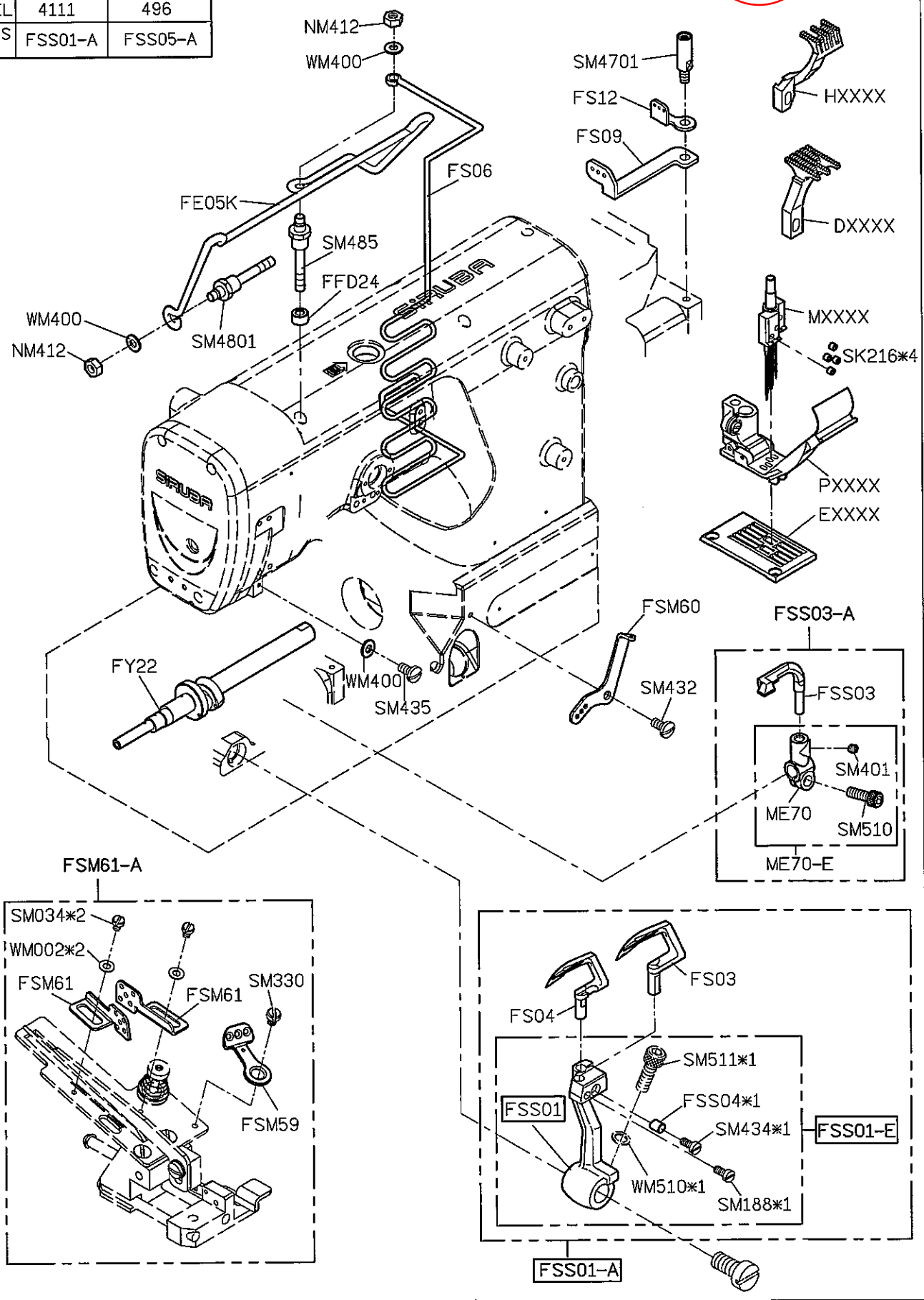


SIRUBA	Series	Parts Group	Subclass / Remark	Page
	F007K/F007KD F858K/F858KD	FSS		1/3
PARTS LIST				Date
				2013/06/14

研發部
 2013.08.05
 發行

MODEL	4111	496
PARTS NO	FSS01-A	FSS05-A

A
B
C
D
E



1 2 3 4 5

SIRUBA

PARTS LIST

Series

F007K/F007KD
F858K/F858KD

Parts Group

FSS

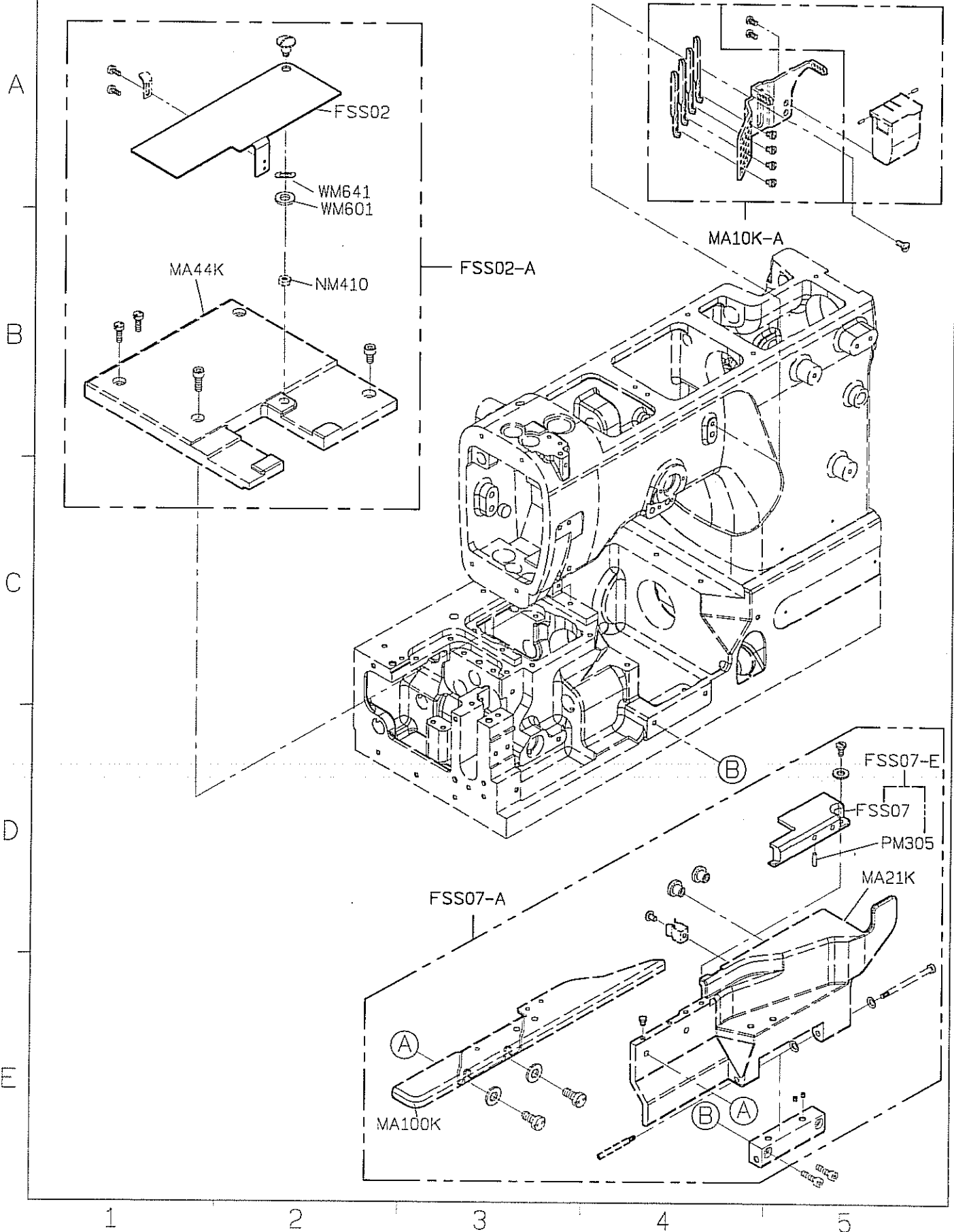
Subclass / Remark

Page

2/3

Date

2013/08/21





A

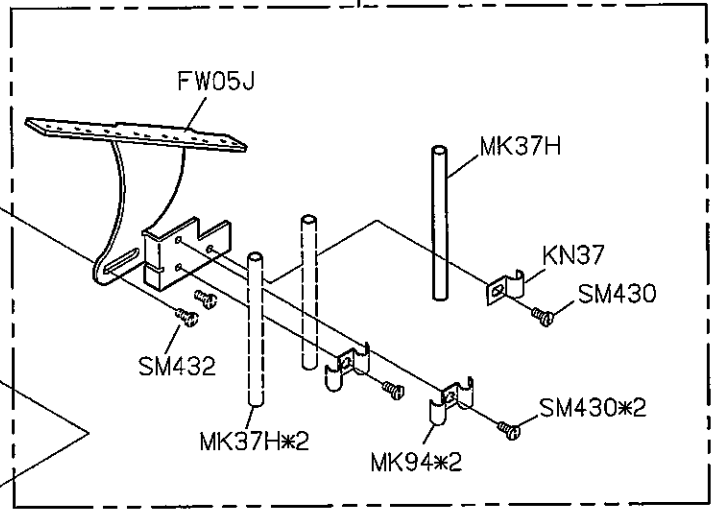
B

C

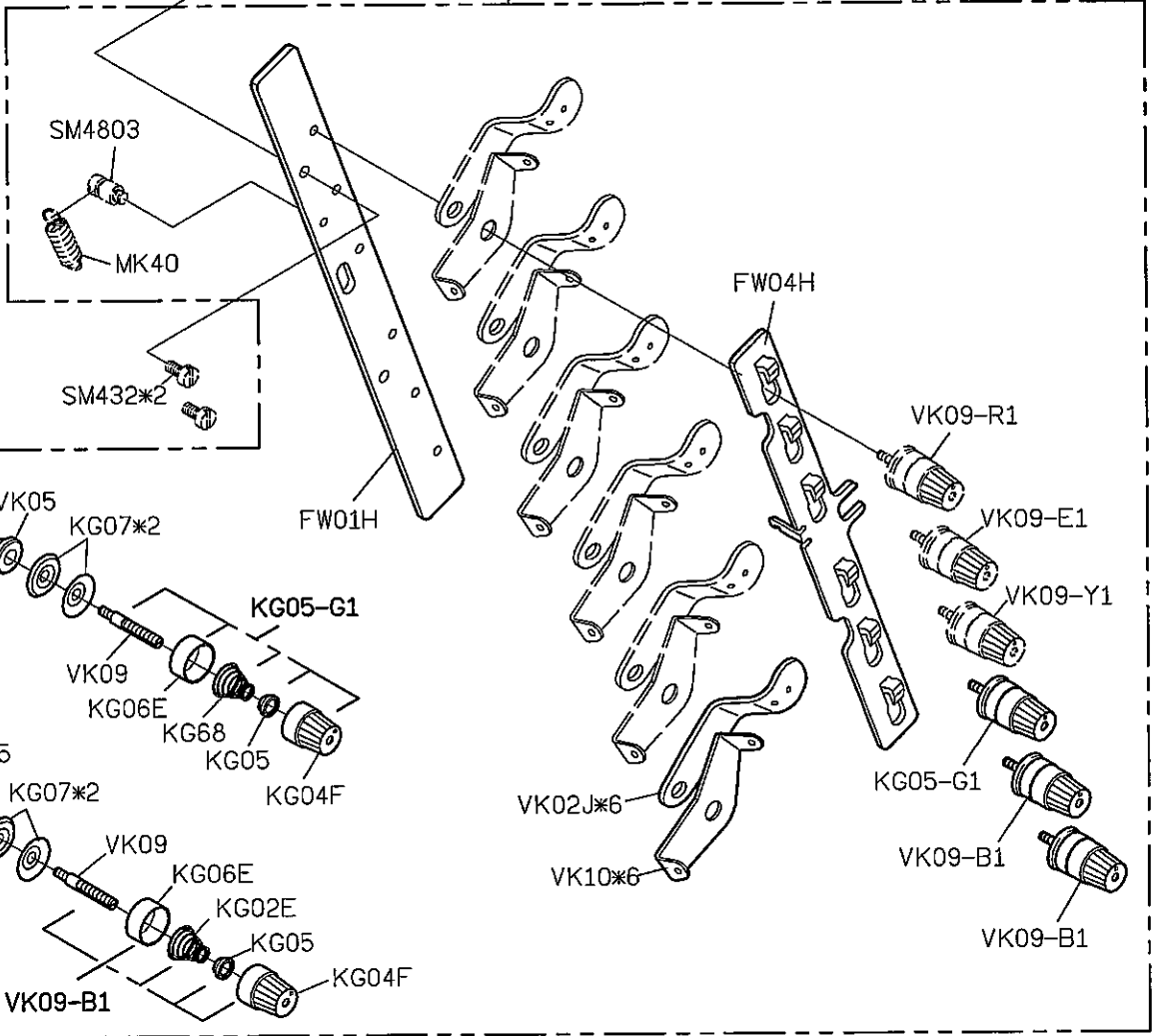
D

E

FW05J-A



FW01J-A



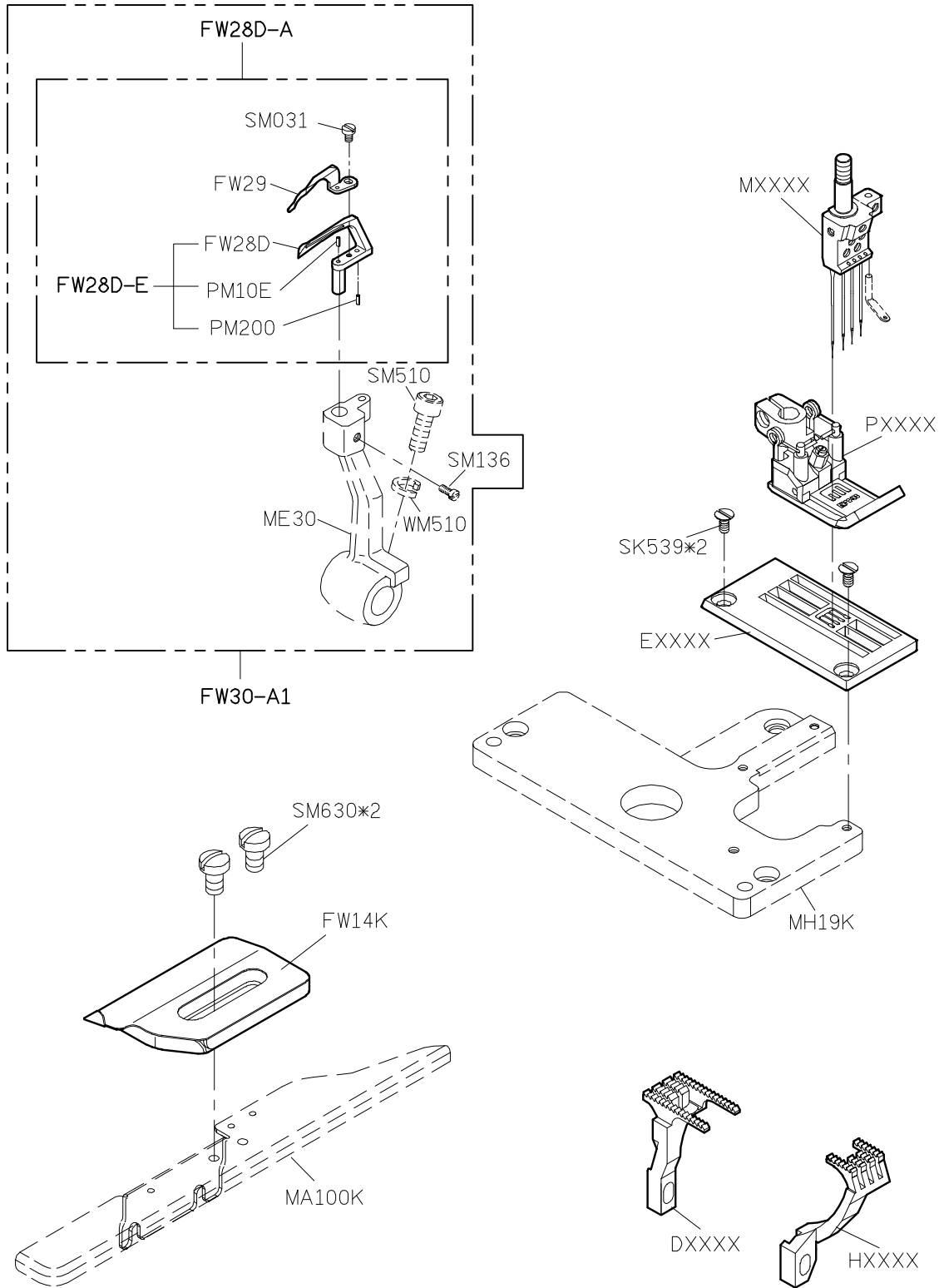
1

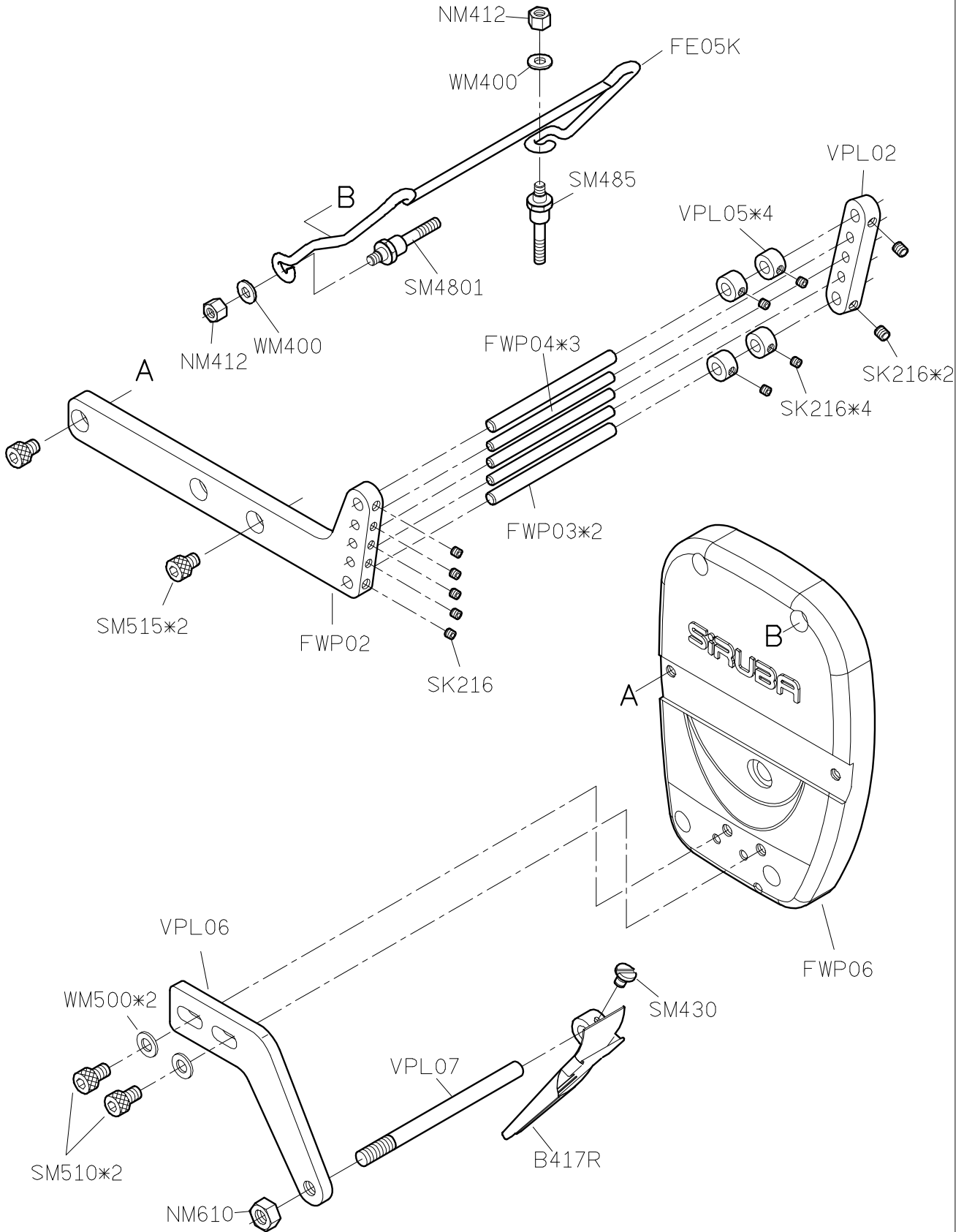
2

3

4

5





SIRUBA

PARTS LIST

**F007K/F007KD
F858K/F858KD**

**Parts Group
FW(FWP)-K**

Subclass / Remark

Page

3/5

Date

2012/10/31

A

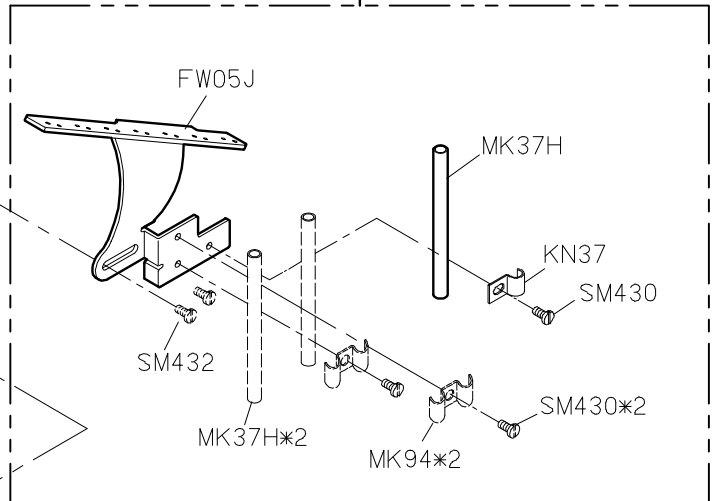
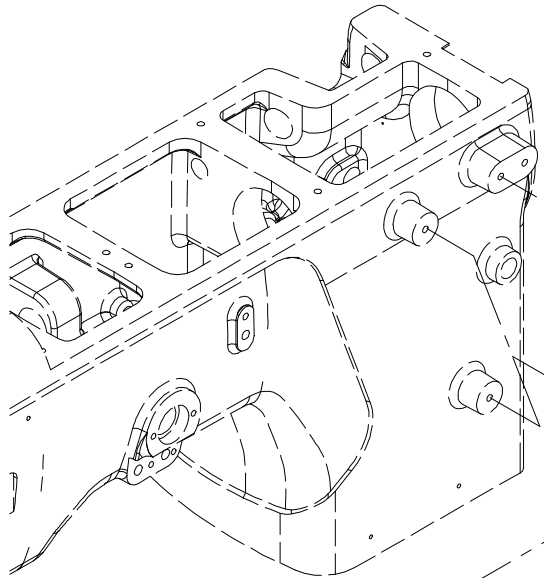
B

C

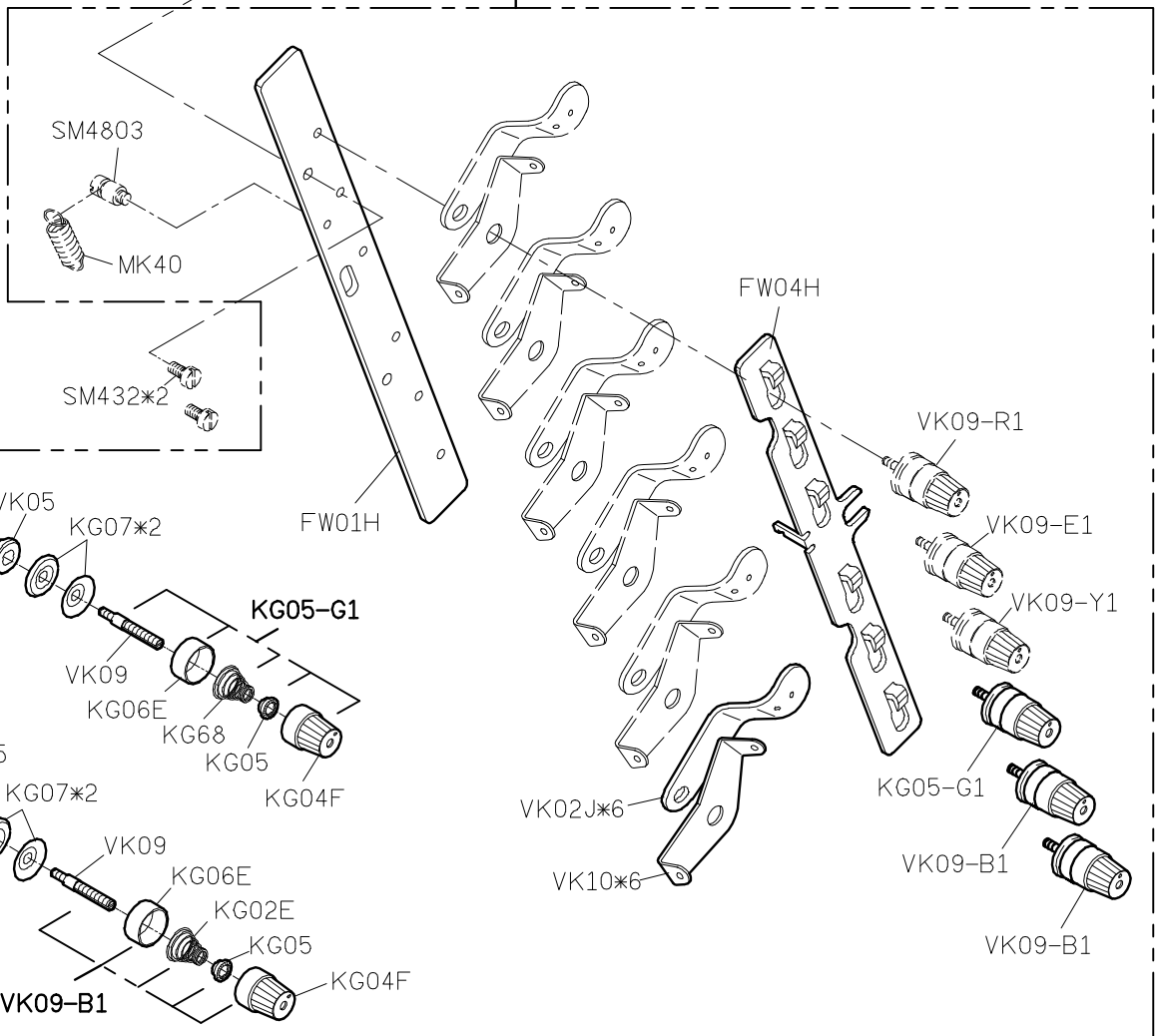
D

E

FW05J-A



FW01J-A



1

2

3

4

5

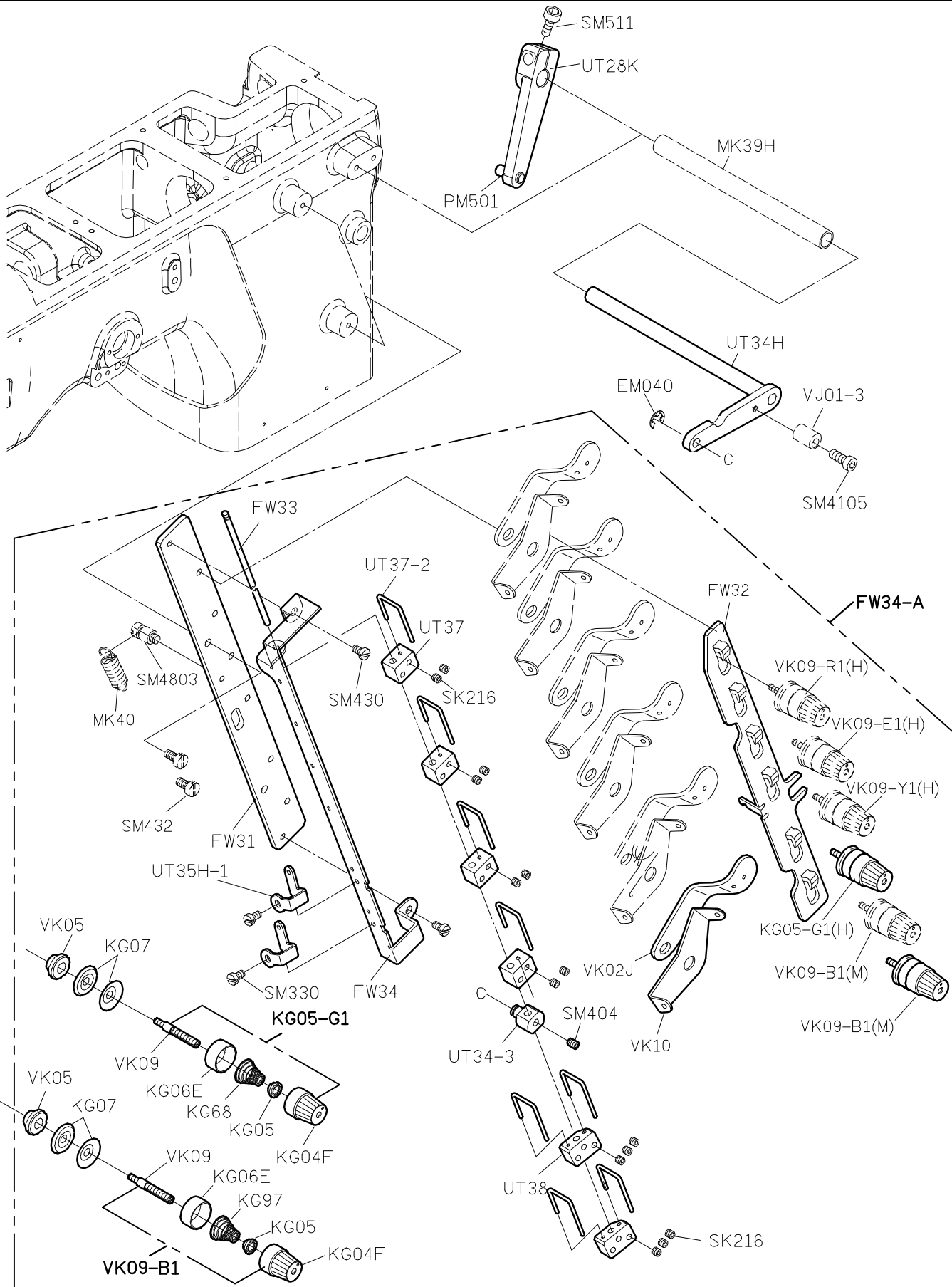
A

B

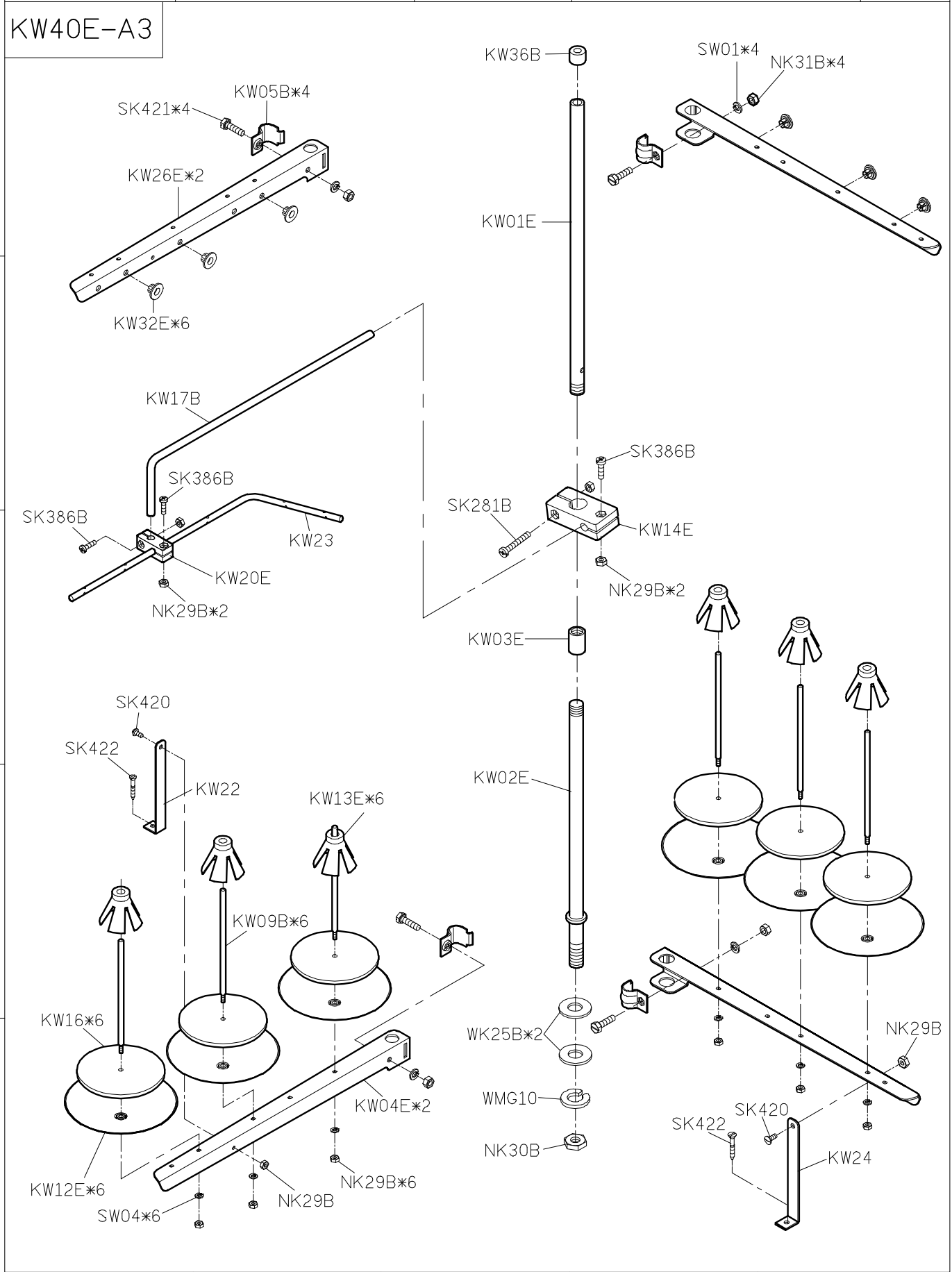
C

D

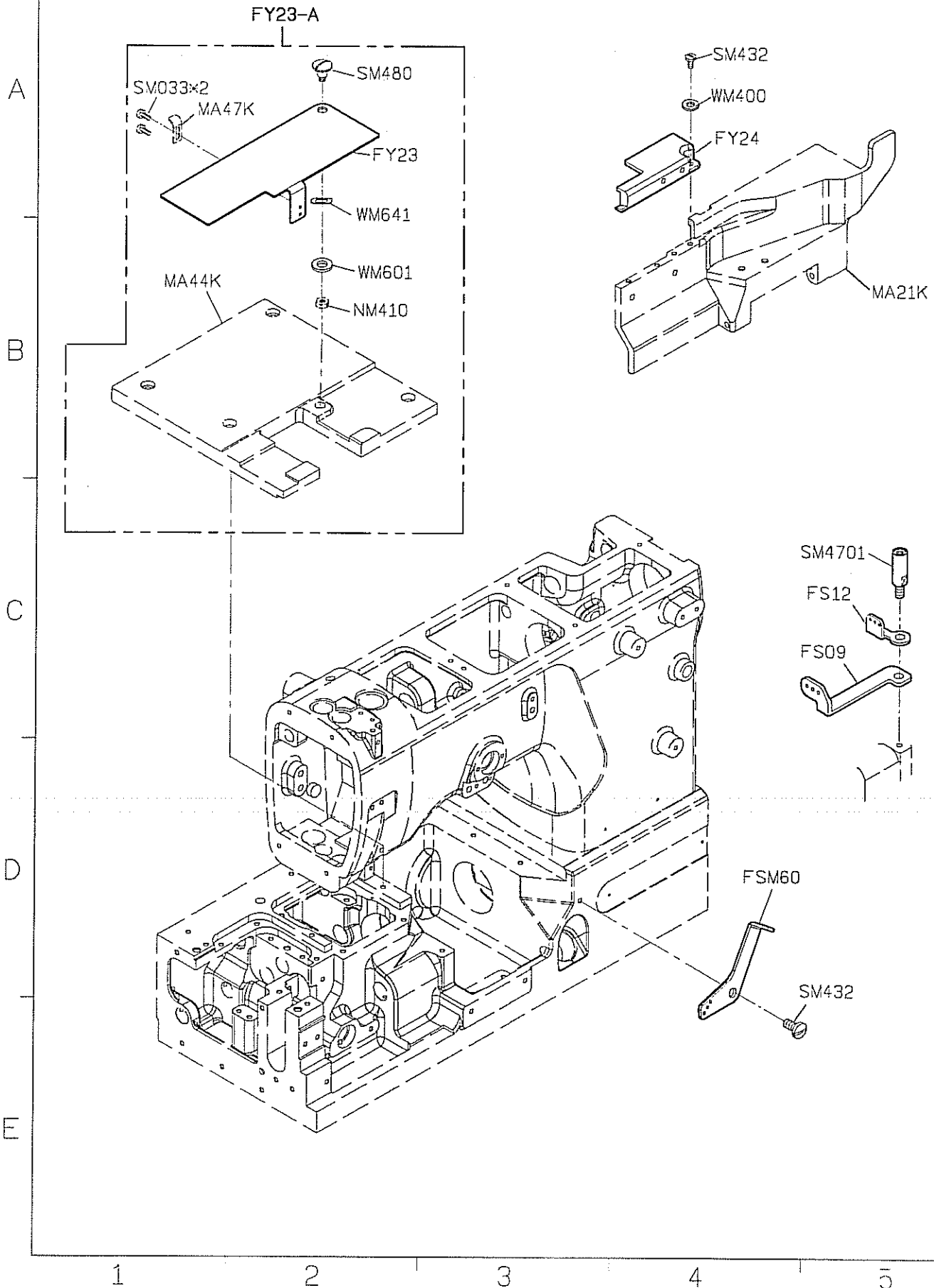
E



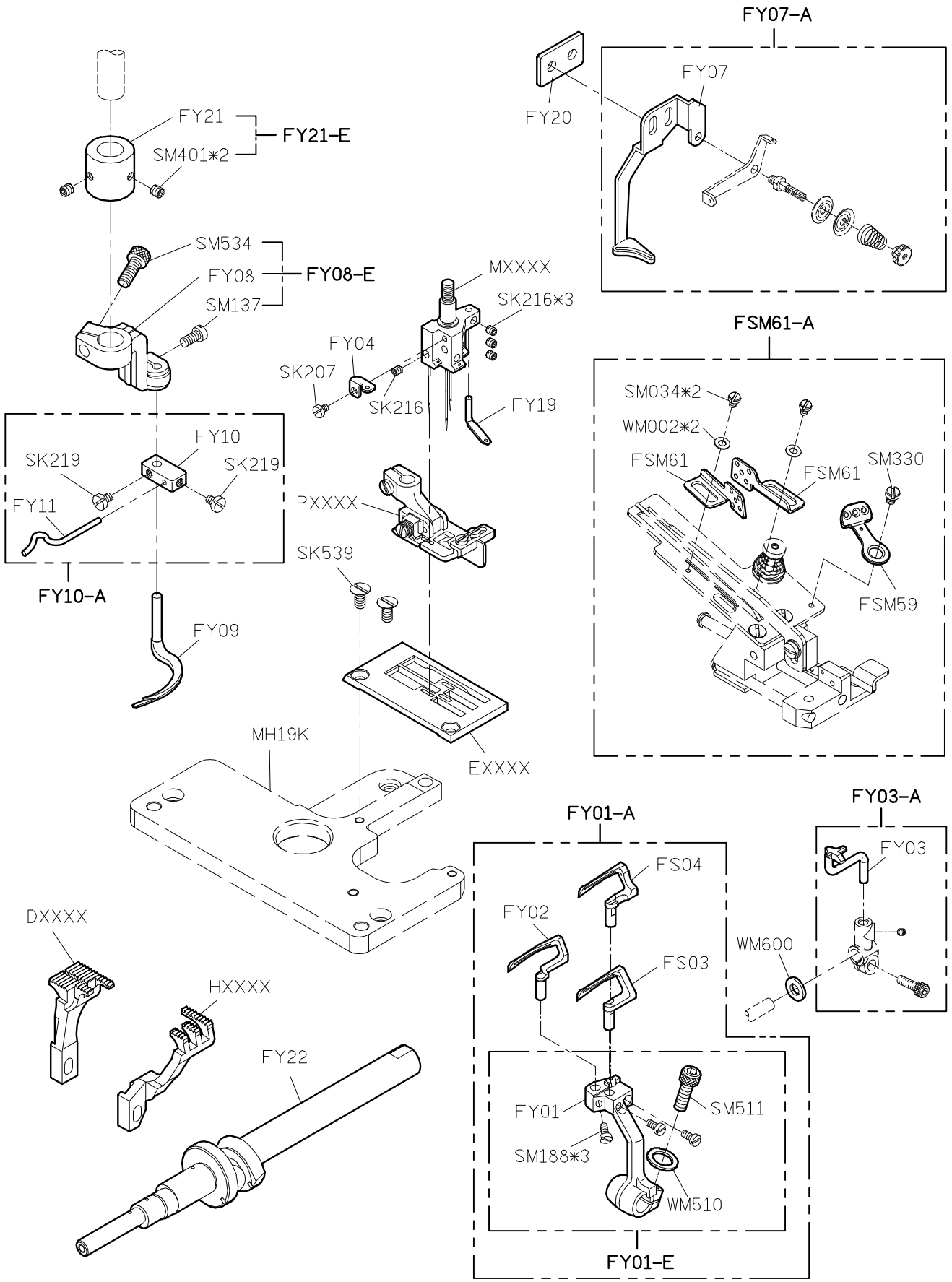
SIRUBA PARTS LIST	F007K/F007KD	Parts Group	Subclass / Remark	Page
	F858K/F858KD	FW(FWP)-K		5/5
				Date
				2012/10/31

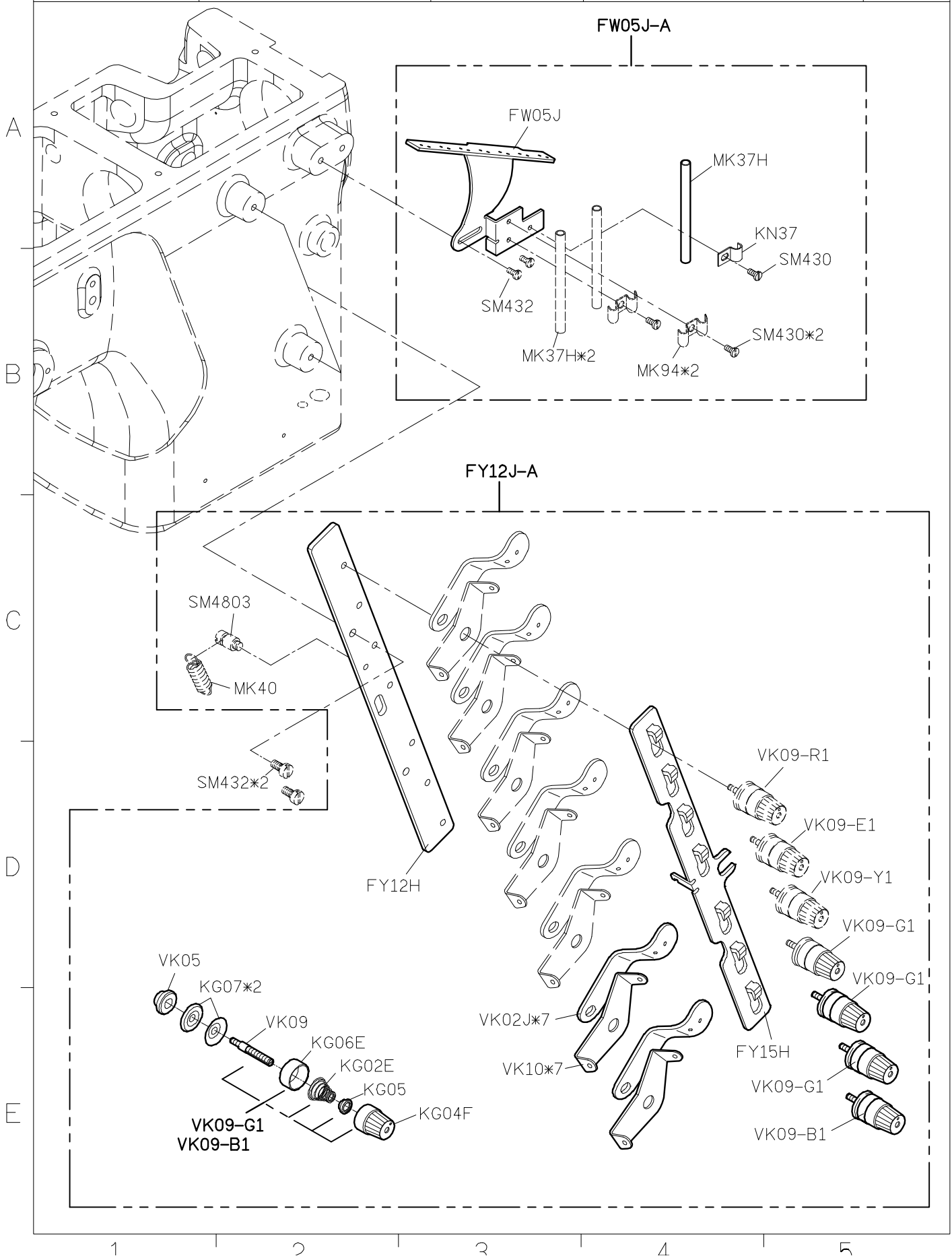


1 2 3 4 5



A
B
C
D
E





VZ03-A

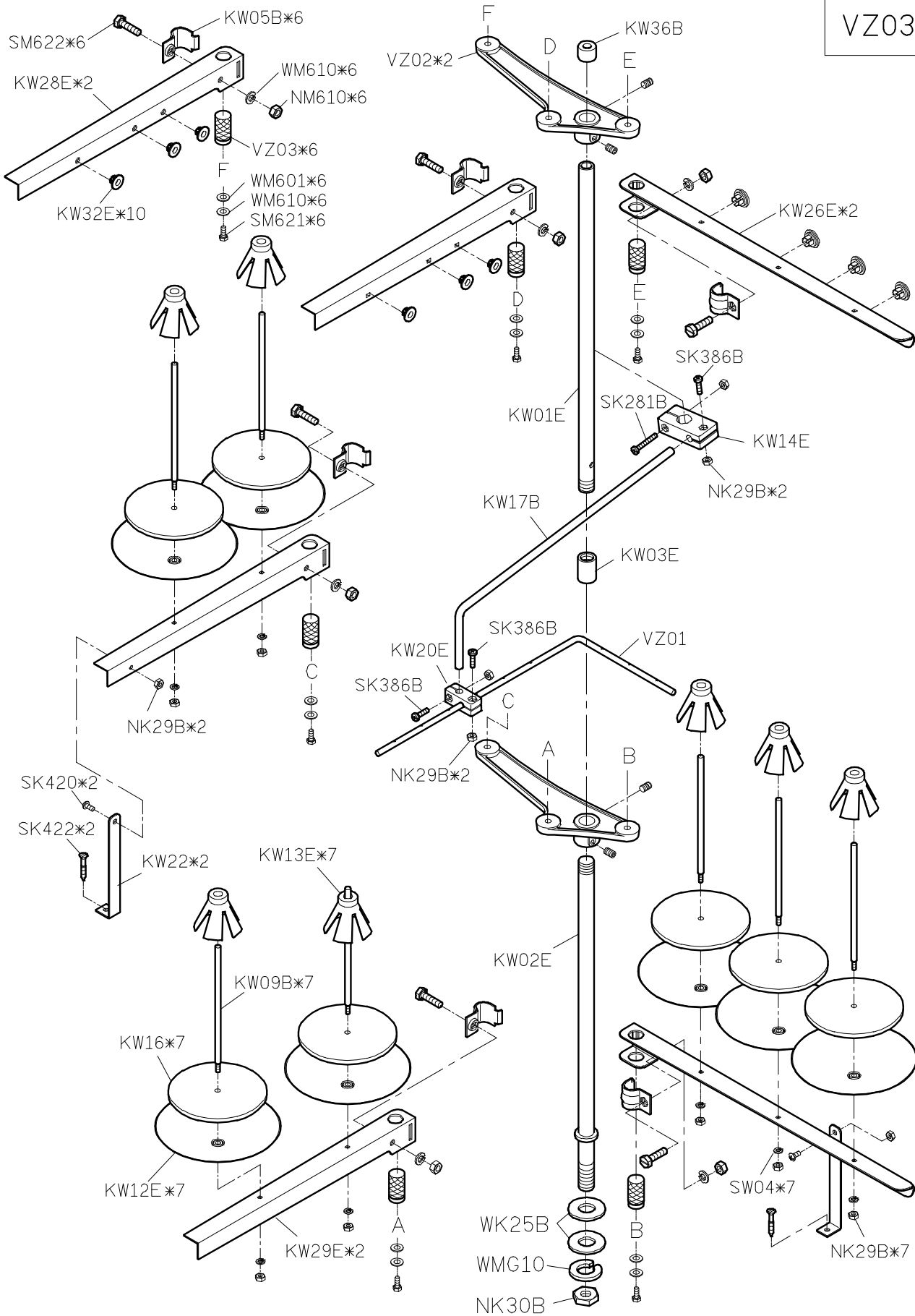
A

B

C

D

E



1

2

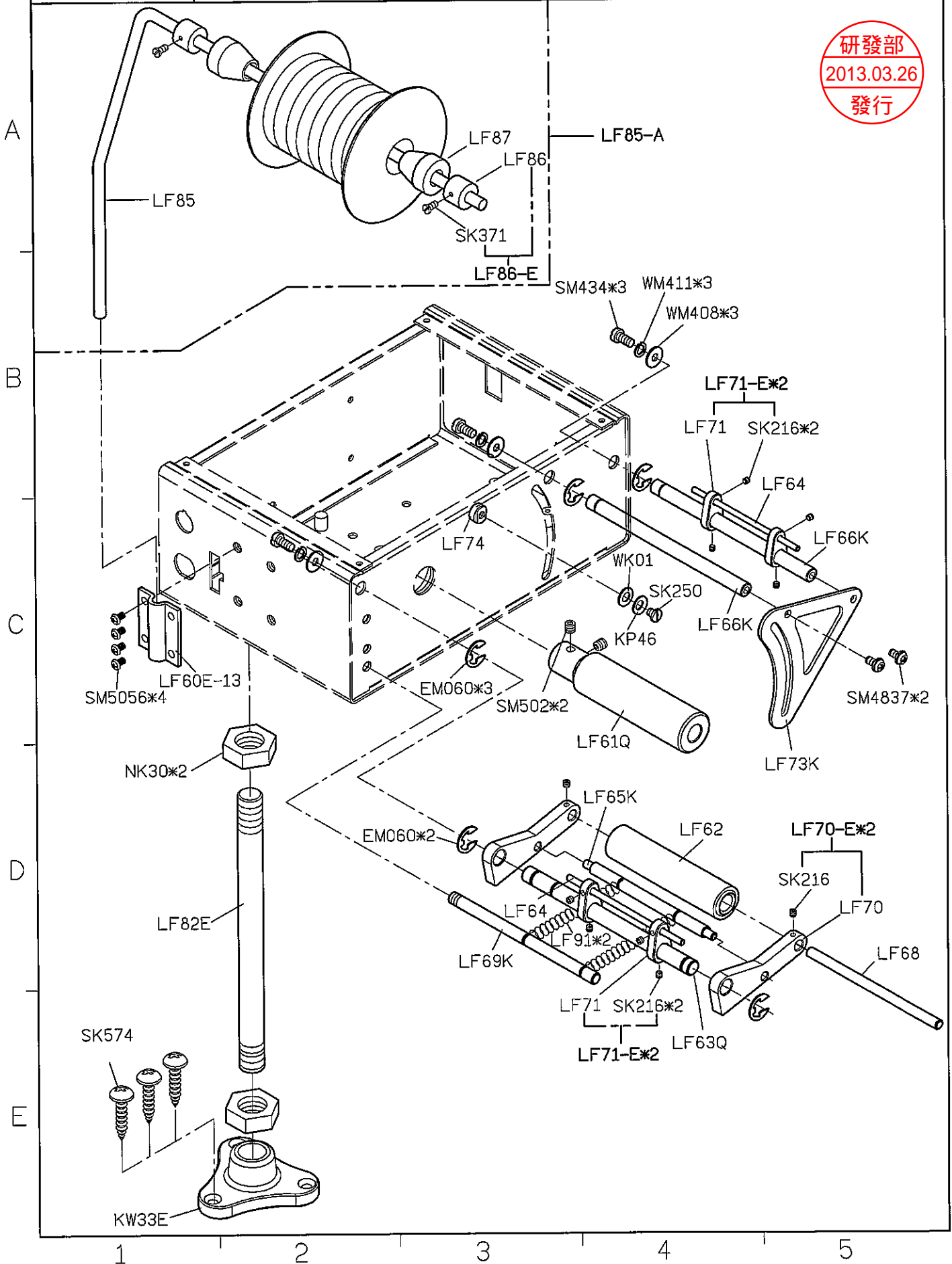
3

4

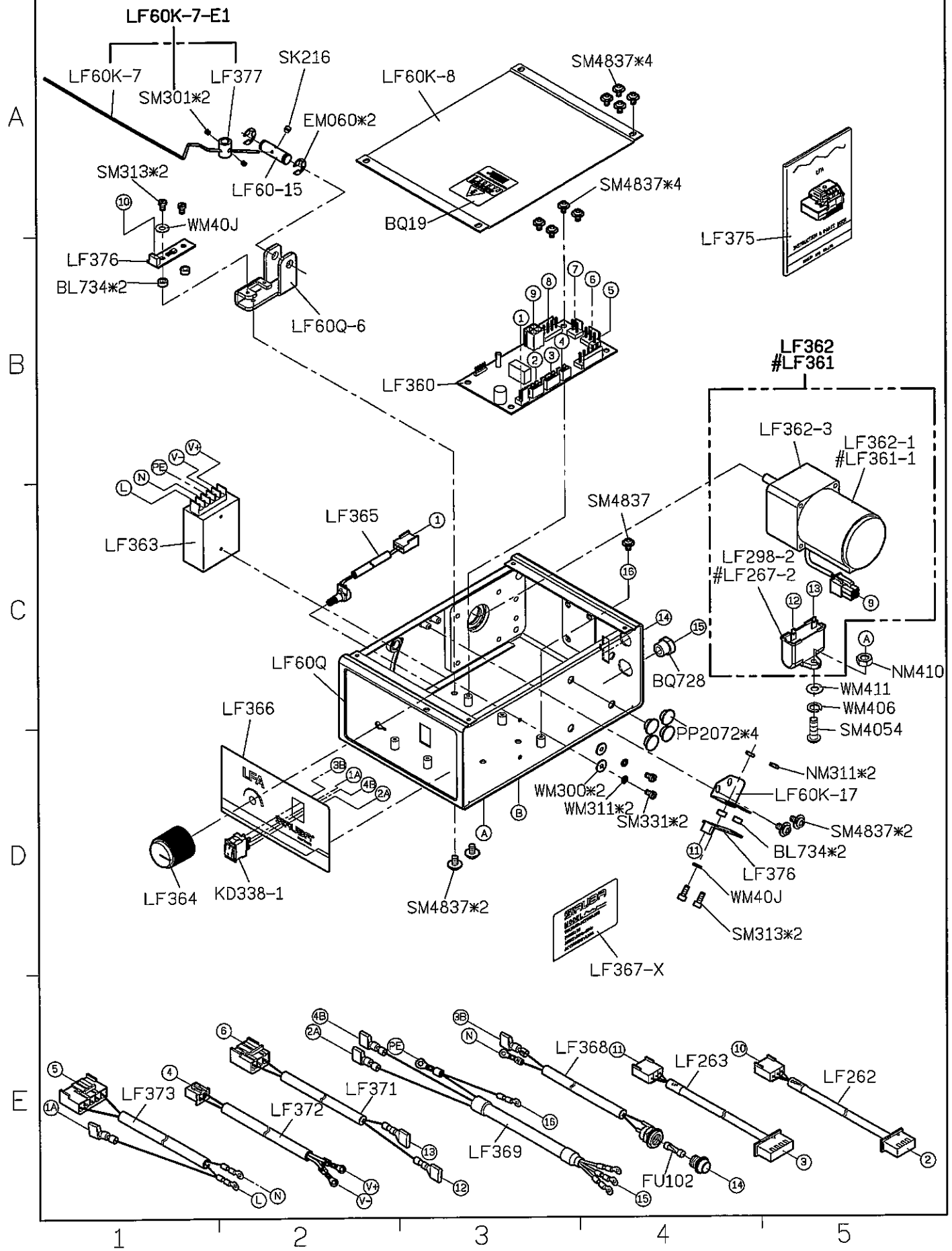
5

SIRUBA PARTS LIST	Series	Parts Group	Subclass / Remark	Page
	F007K/F007KD	LFA		1/3
	F858K/F858KD			Date
				2013/03/25

研發部
 2013.03.26
 發行



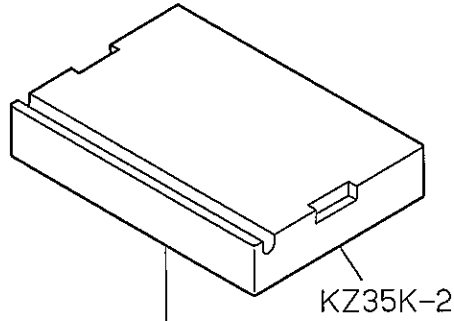
SIRUBA PARTS LIST	Series	Parts Group	Subclass / Remark	Page
	F007K/F007KD F858K/F858KD	LFA	#: Use for 110V	2/3
				Date 2013/07/01



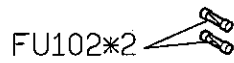
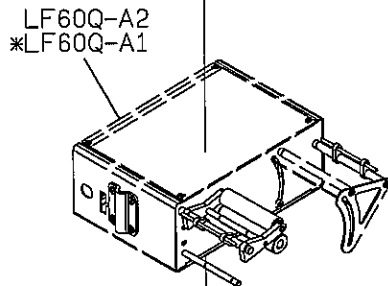
SIRUBA PARTS LIST	Series	Parts Group	Subclass / Remark	Page
	F007K/F007KD	LFA		3/3
	F858K/F858KD			Date
				2013/03/25

研發部
 2013.03.26
 發行

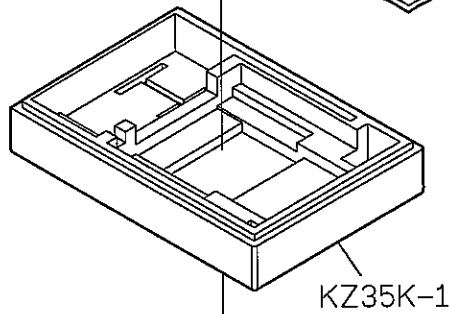
A



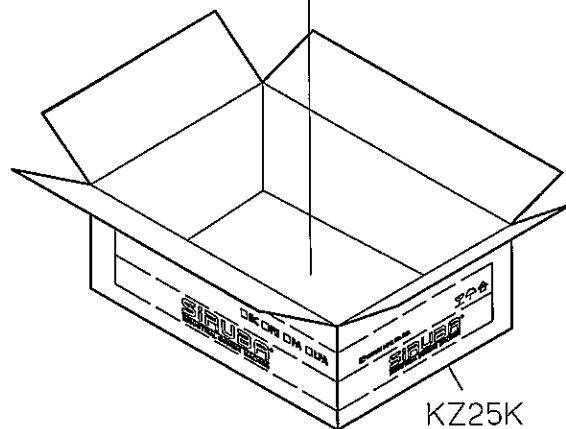
B



C



D



E

1

2

3

4

5

SIRUBA

PARTS LIST

Series

F007K/F007KD
F858K/F858KD

Parts Group

LFAK

Subclass / Remark

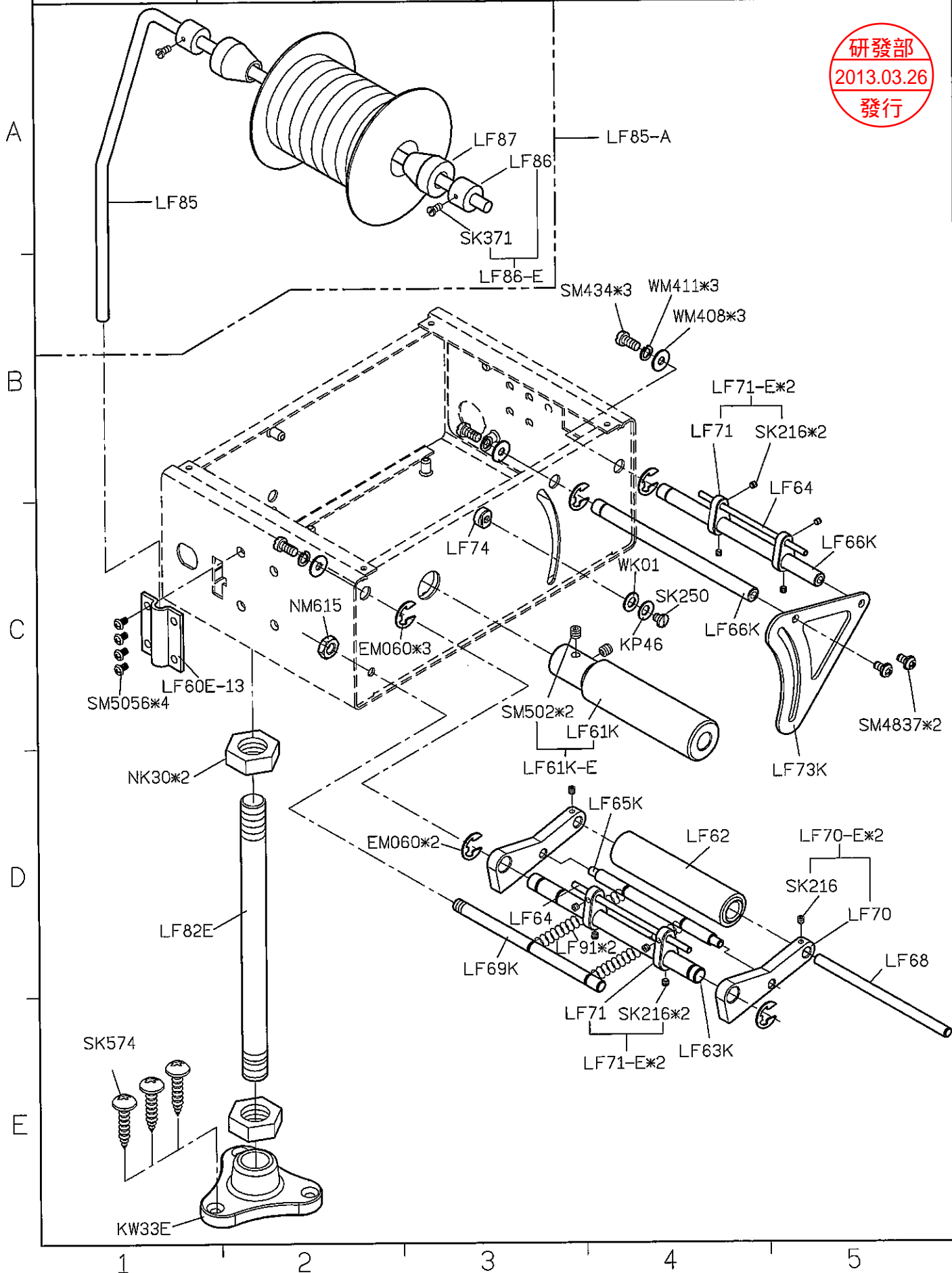
Page

1/3

Date

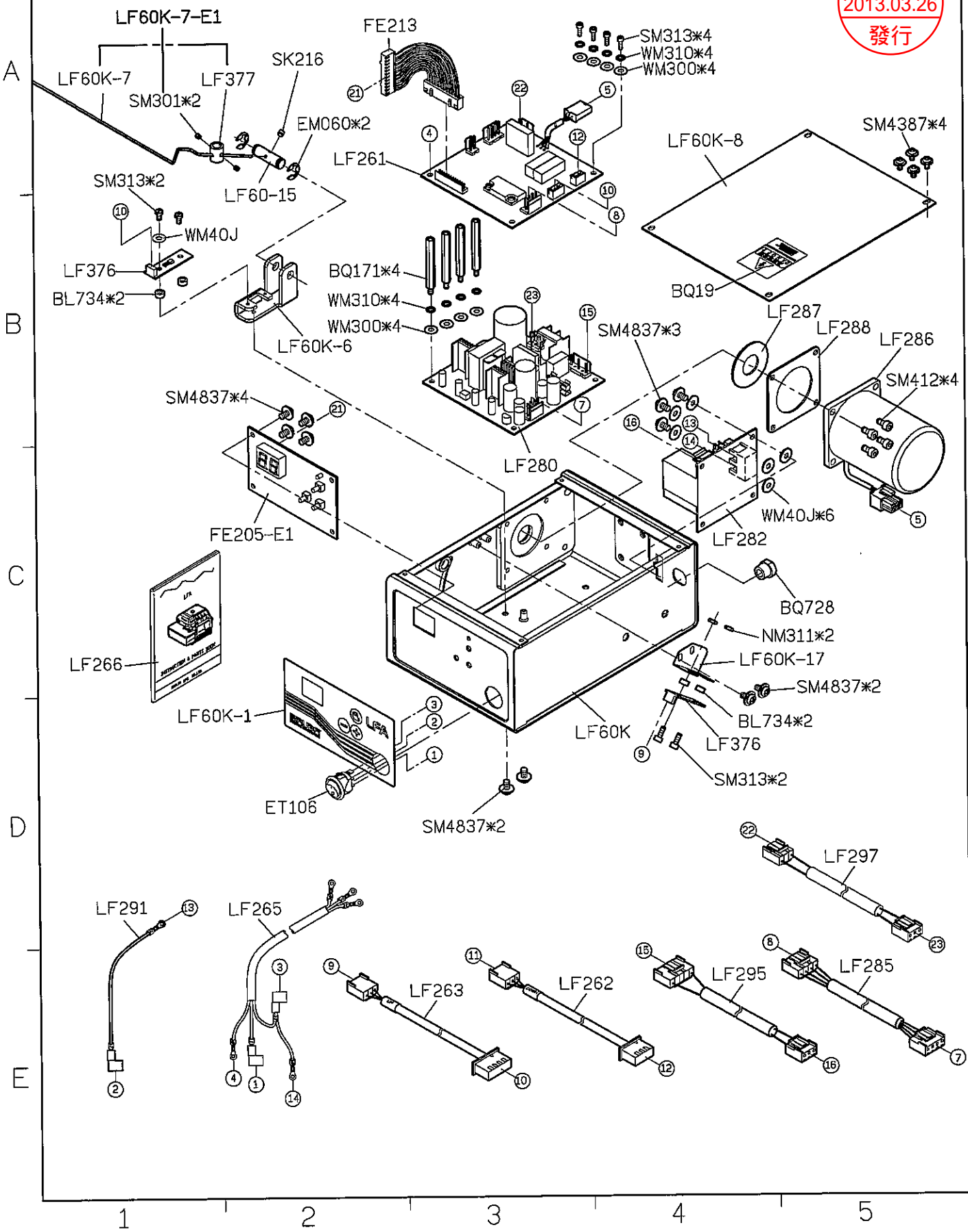
2013/03/25

研發部
2013.03.26
發行



SIRUBA PARTS LIST	Series	Parts Group	Subclass / Remark	Page
	F007K/F007KD	LFAK	*:Use for LFRK-D1/LFRK-D2	2/3
	F858K/F858KD			Date
				2013/03/25

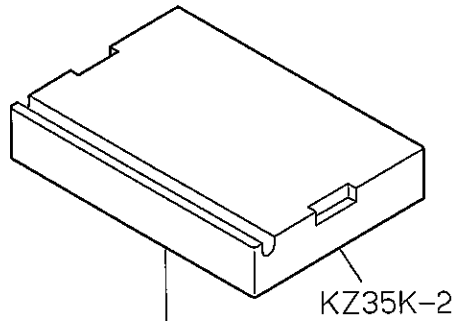
研發部
 2013.03.26
 發行



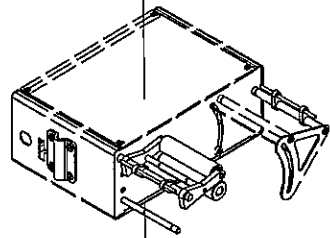
SIRUBA PARTS LIST	Series	Parts Group	Subclass / Remark	Page
	F007K/F007KD	LFAK		3/3
	F858K/F858KD			Date
				2013/03/25

研發部
 2013.03.26
 發行

A



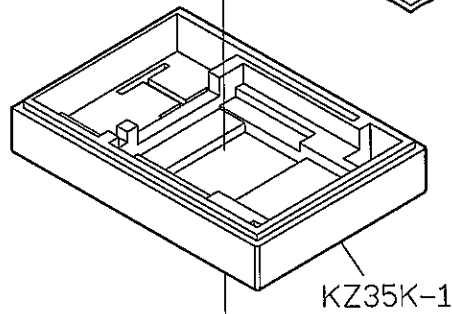
B



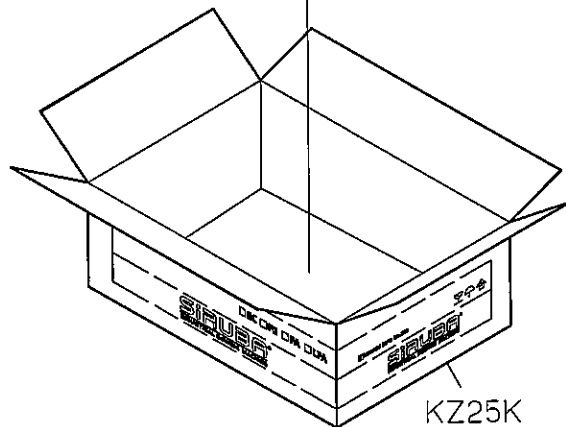
FU102*2

KZ03

C



D



E

1

2

3

4

5

UT780-A(1/2)

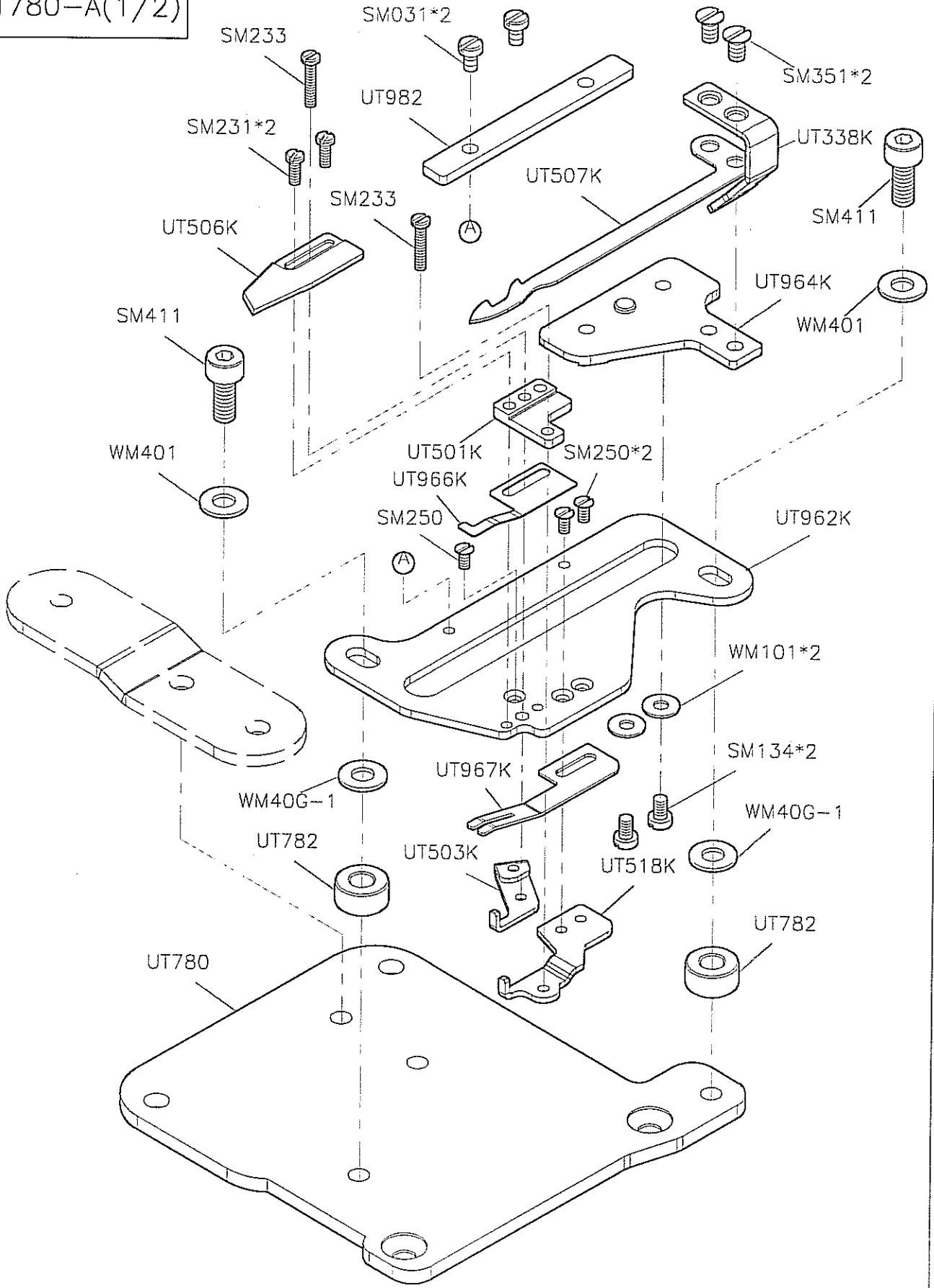
A

B

C

D

E



1

2

3

4

5

SIRUBA

PARTS LIST

Series

F007K/F007KD
F858K/F858KD

Parts Group

UTG(UTH)-K

Subclass / Remark

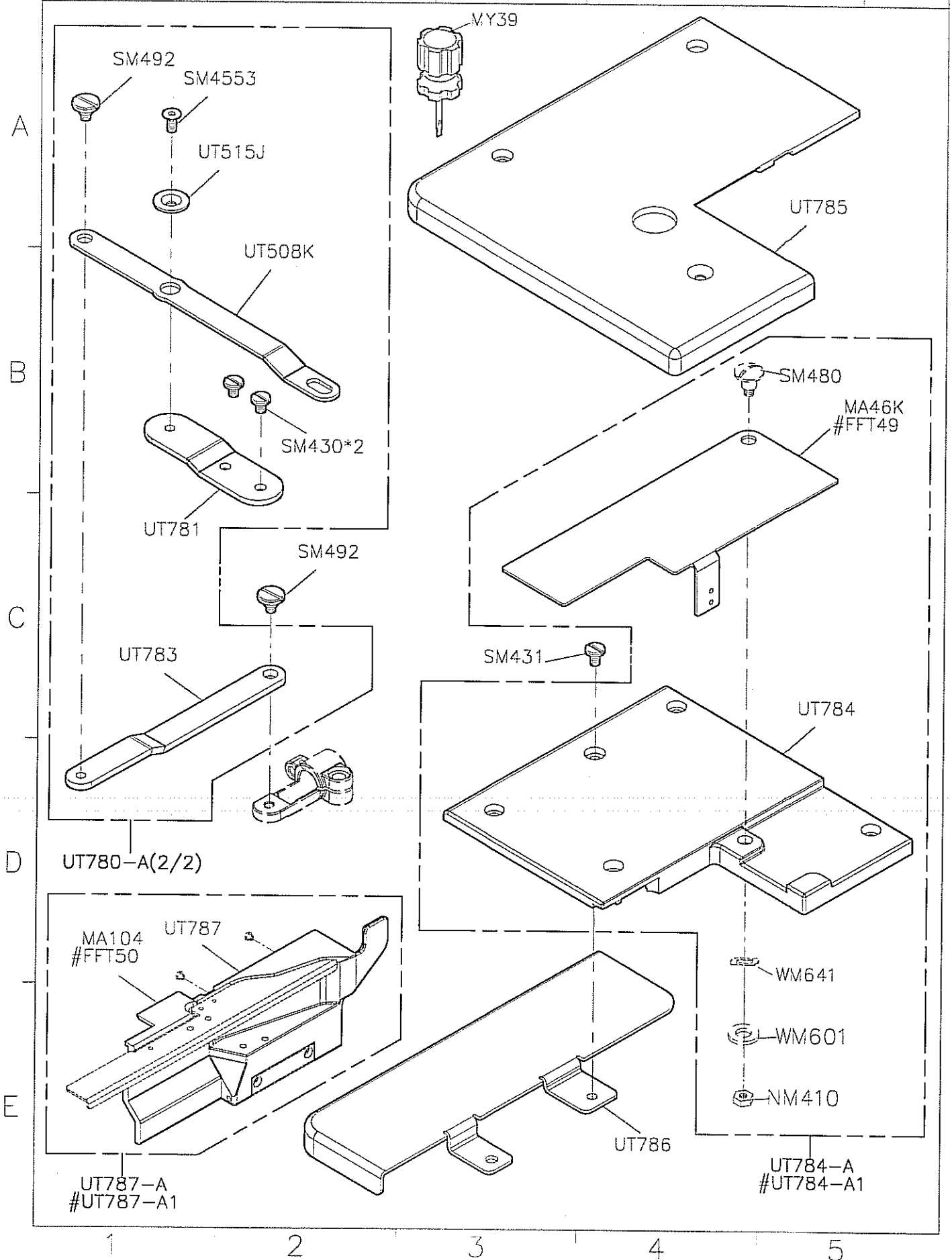
#Use for F007KD/F858KD/FFT

Page

2/12

Date

2013/08/21



SIRUBA

PARTS LIST

Series

F007K/F007KD
F858K/F858KD

Parts Group

UTG(UTH)-K

Subclass / Remark

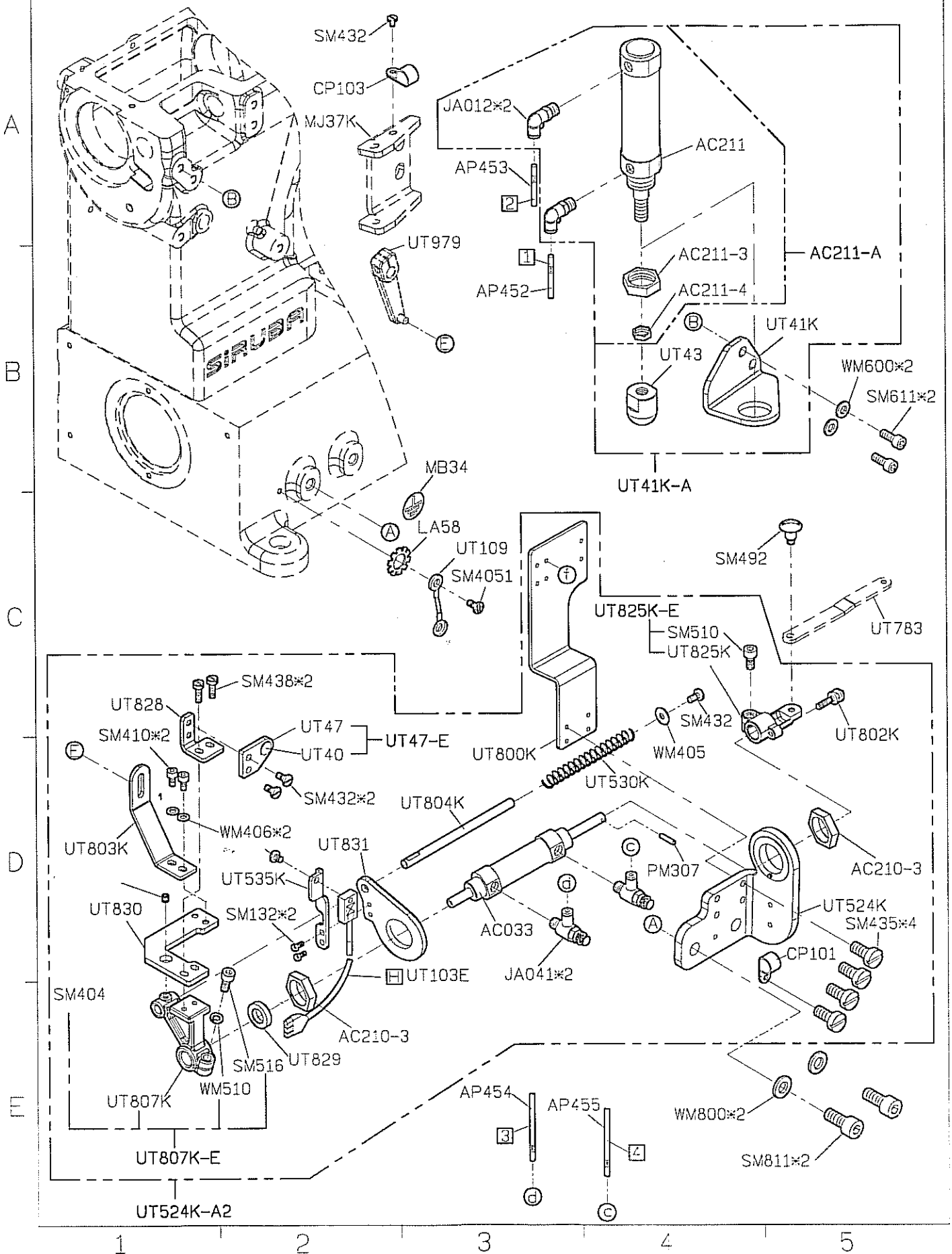
☐ : For H brand motor

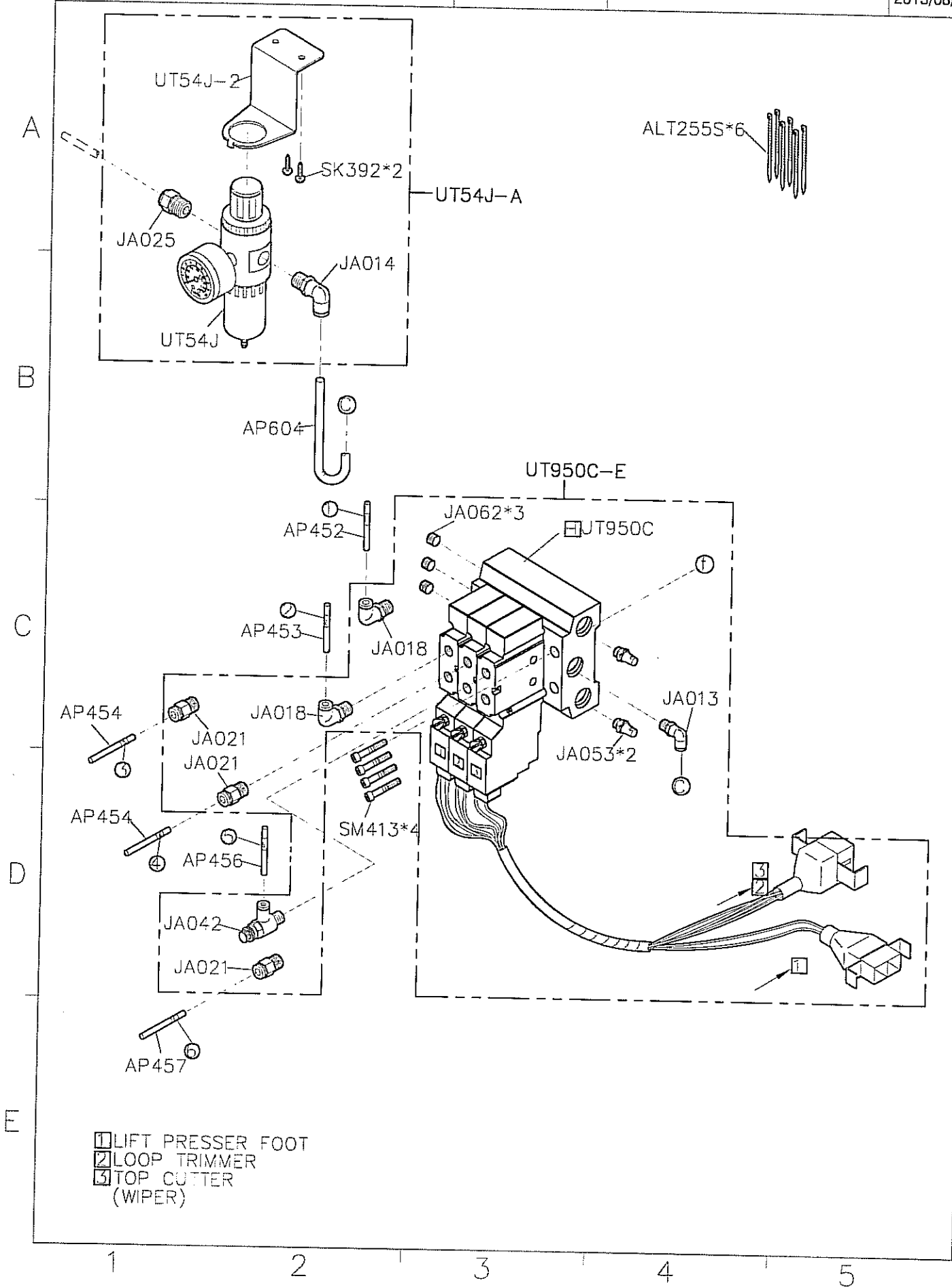
Page

3/12

Date

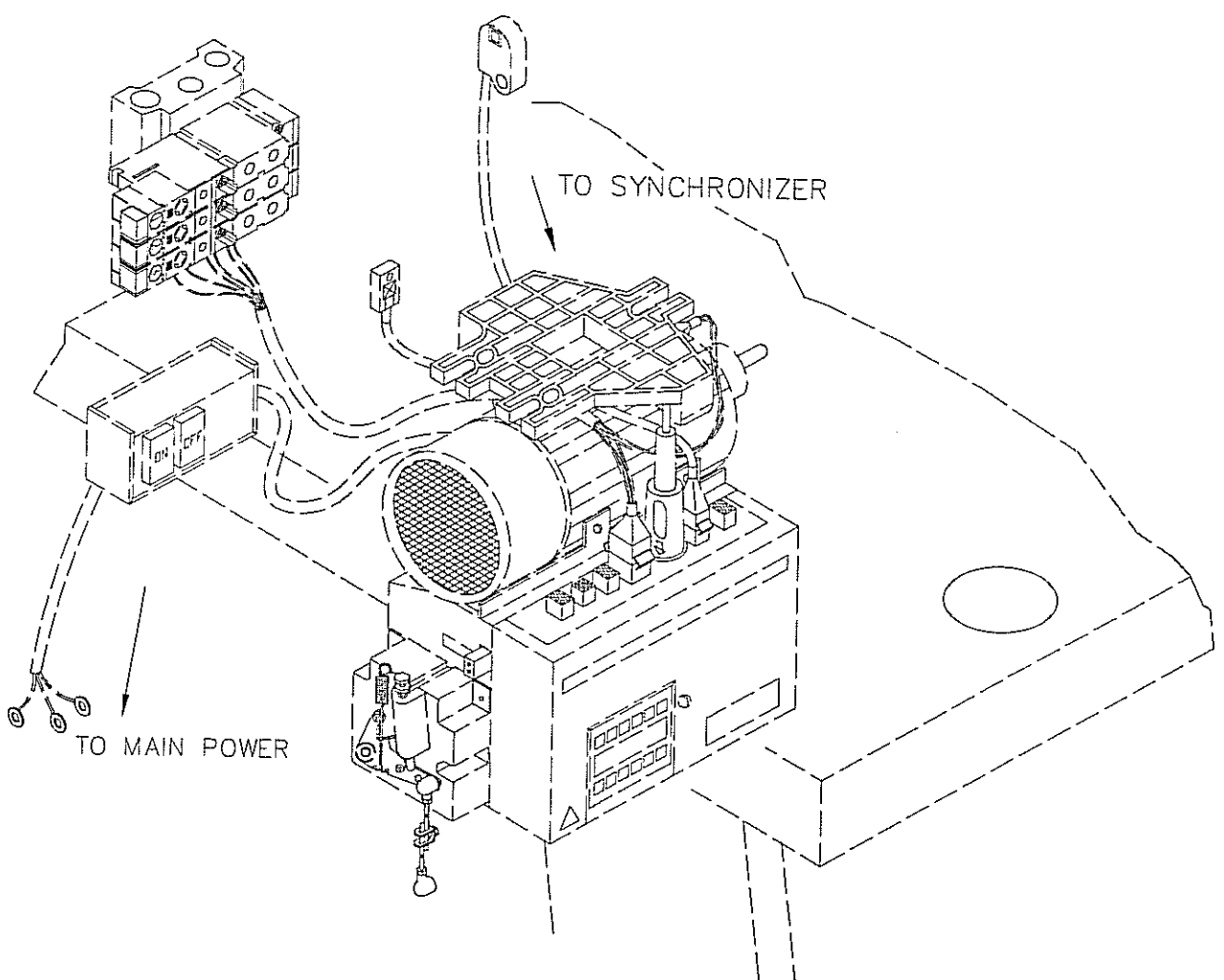
2013/08/06





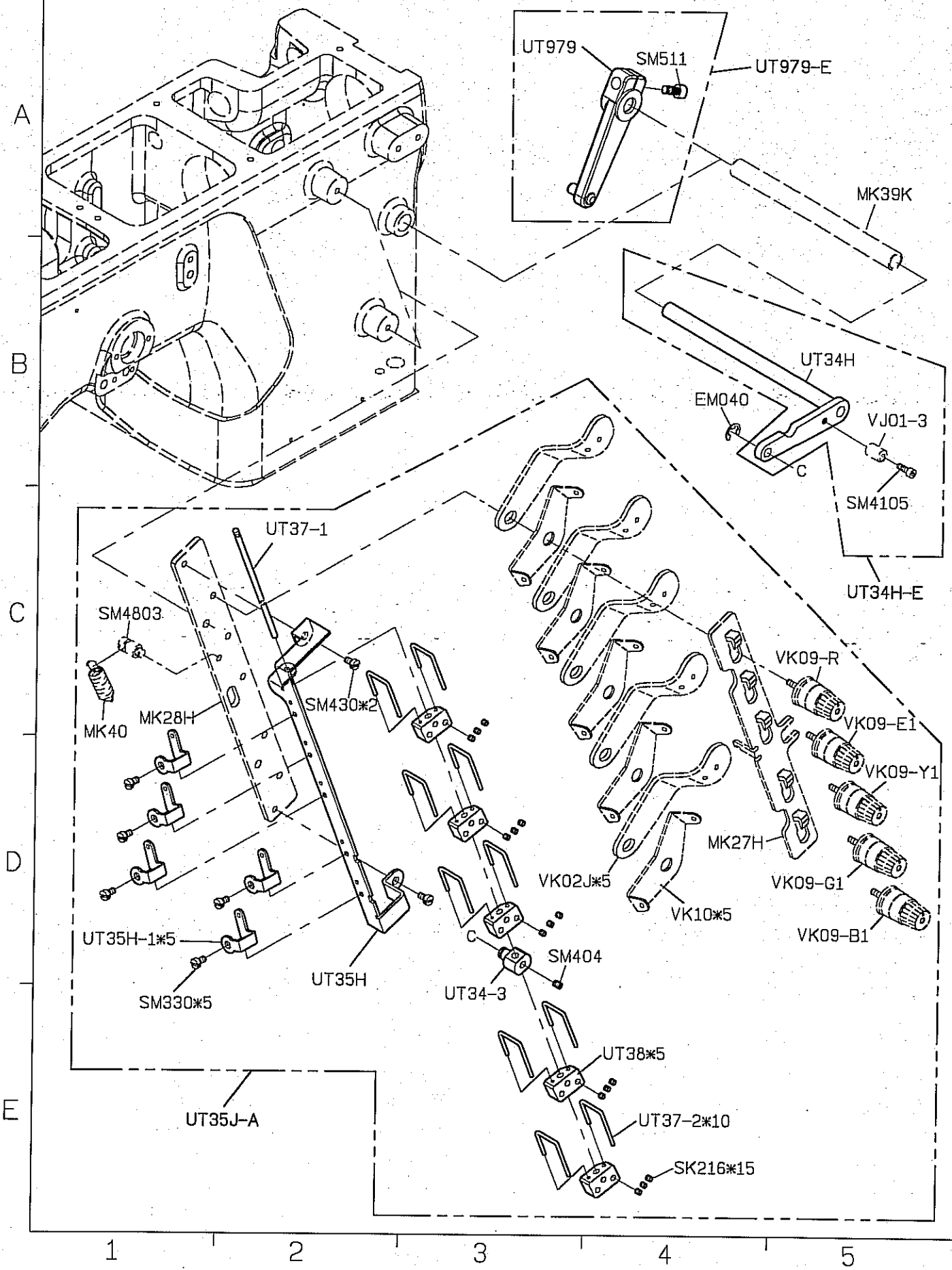
SIRUBA PARTS LIST	Series	Parts Group	Subclass / Remark	Page
	F007K/F007KD	UTG(UTH)-K	For F007K/F858K	5/12
	F858K/F858KD			Date
				2013/08/06

A
B
C
D
E



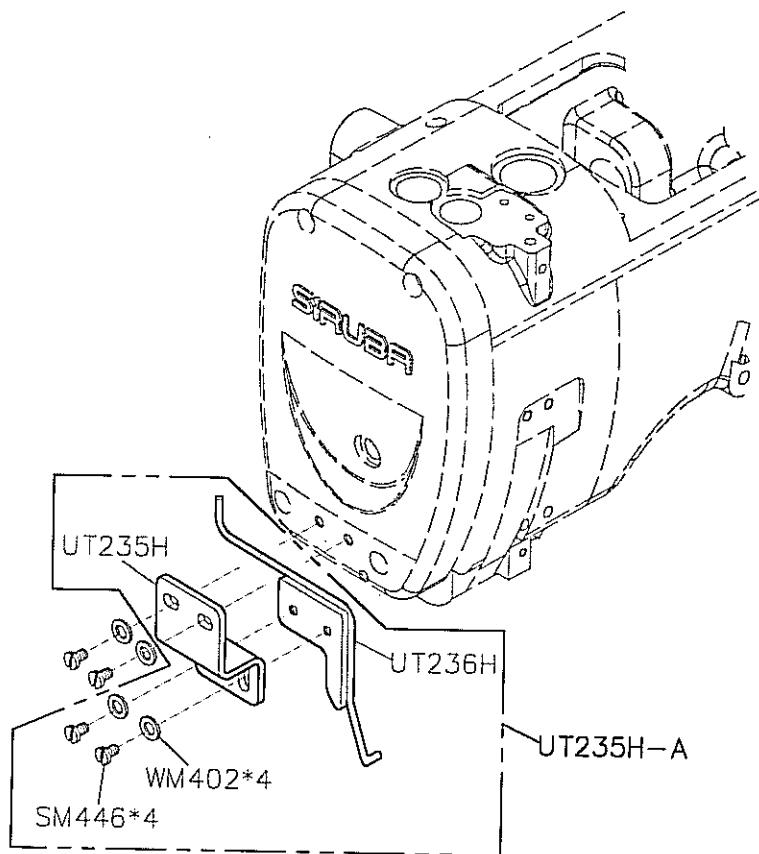
1 2 3 4 5

SIRUBA PARTS LIST	Series	Parts Group	Subclass / Remark	Page
	F007K/F007KD	UTG(UTH)-K		6/12
	F858K/F858KD			Date
				2013/10/16

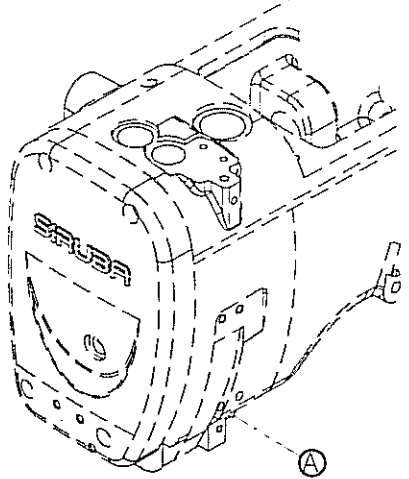


SIRUBA PARTS LIST	Series	Parts Group	Subclass / Remark	Page
	F007K/F007KD	UTH-K		7/12
	F858K/F858KD			Date
				2013/08/06

FOR LEFT SIDE

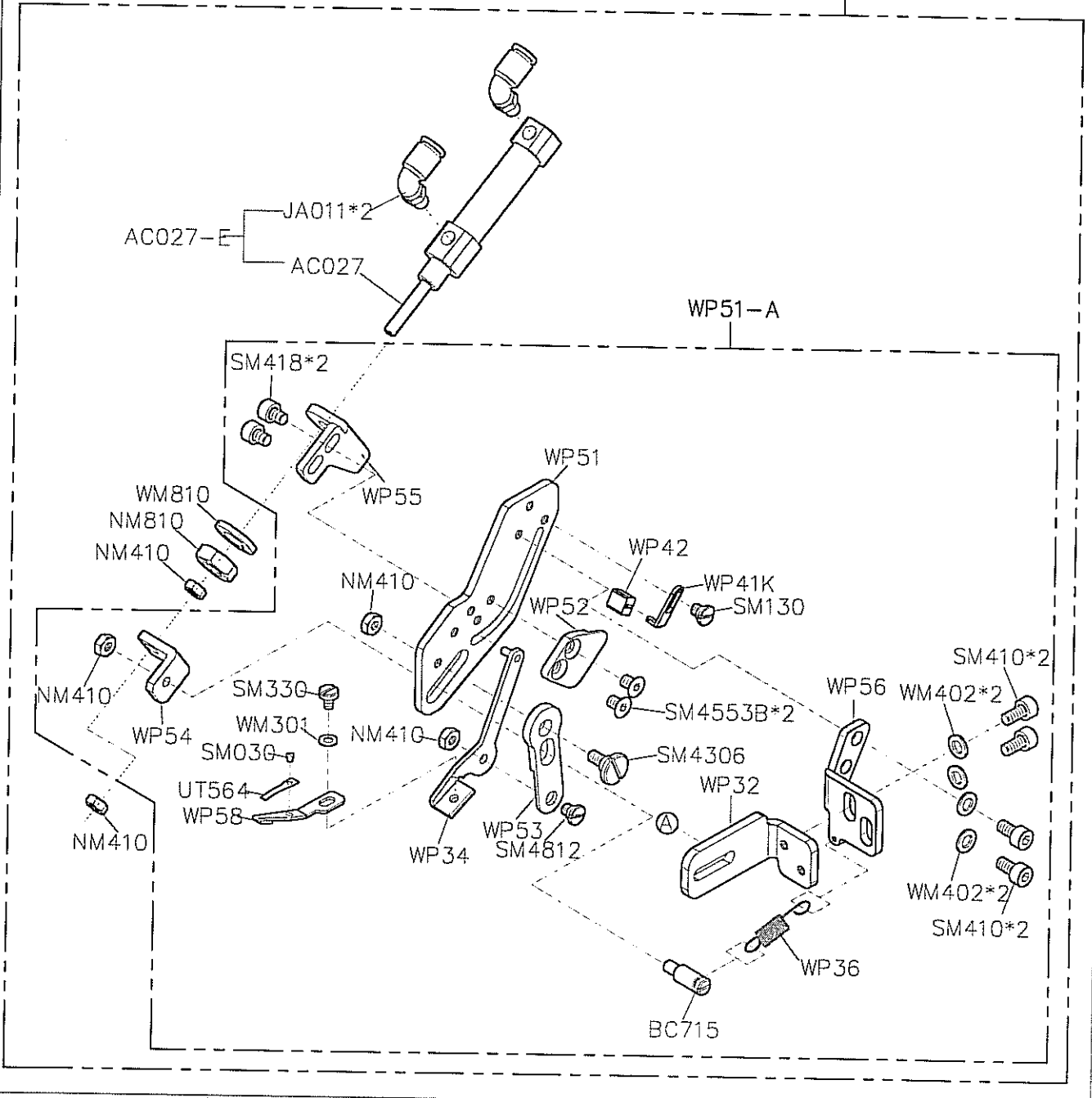


SIRUBA PARTS LIST	Series	Parts Group	Subclass / Remark	Page
	F007K/F007KD	UTH-K1	For allocation	8/12
	F858K/F858KD			Date
				2013/08/06



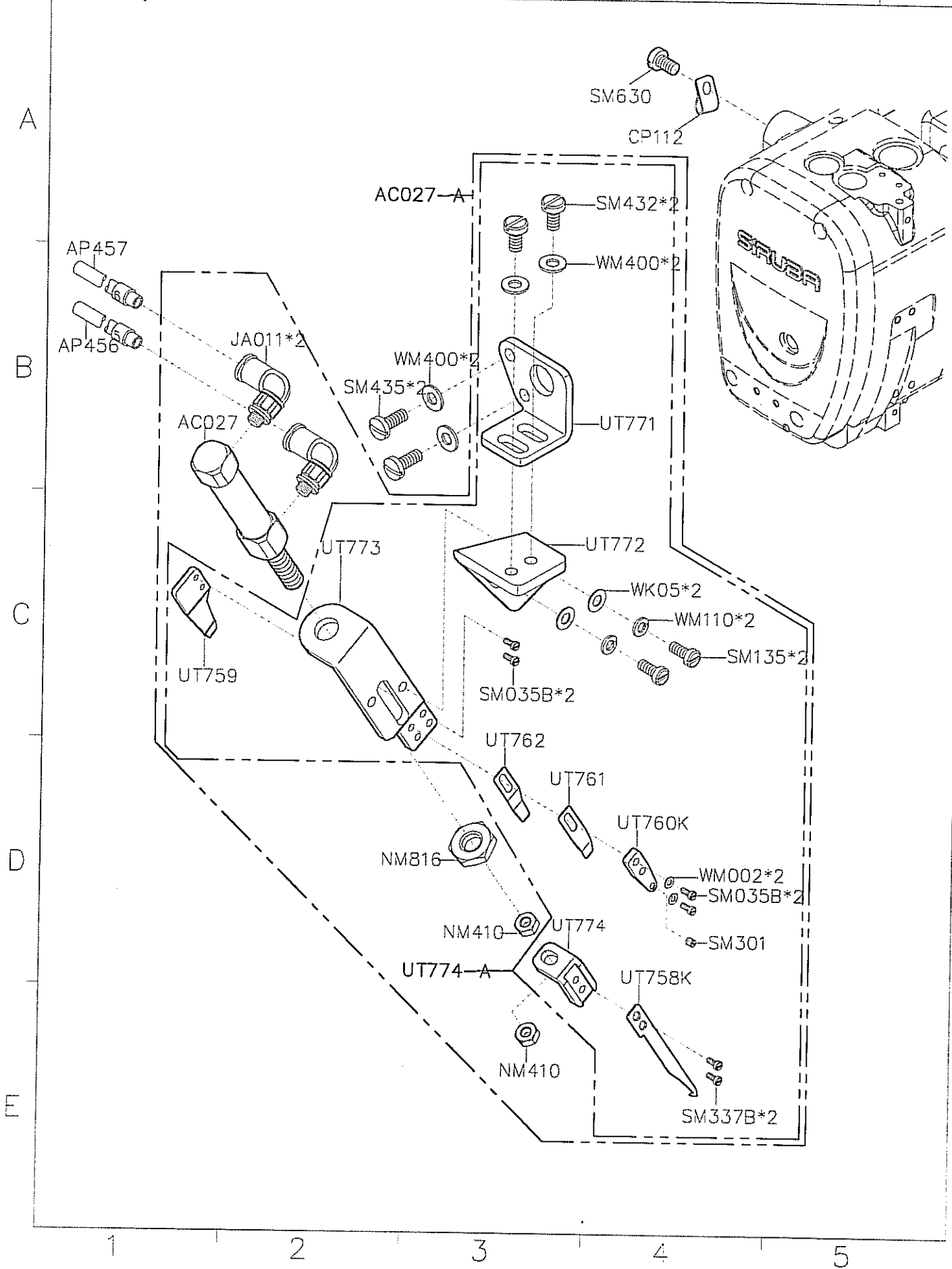
A
B
C
D
E

WP51-A1



1 2 3 4 5

SIRUBA PARTS LIST	Series	Parts Group	Subclass / Remark	Page
	F007K/F007KD	UTG-K		9/12
	F858K/F858KD		Date	
			2013/08/06	



SIRUBA

PARTS LIST

Series

F007K/F007KD
F858K/F858KD

Parts Group

UTG(UTH)-K

Subclass / Remark

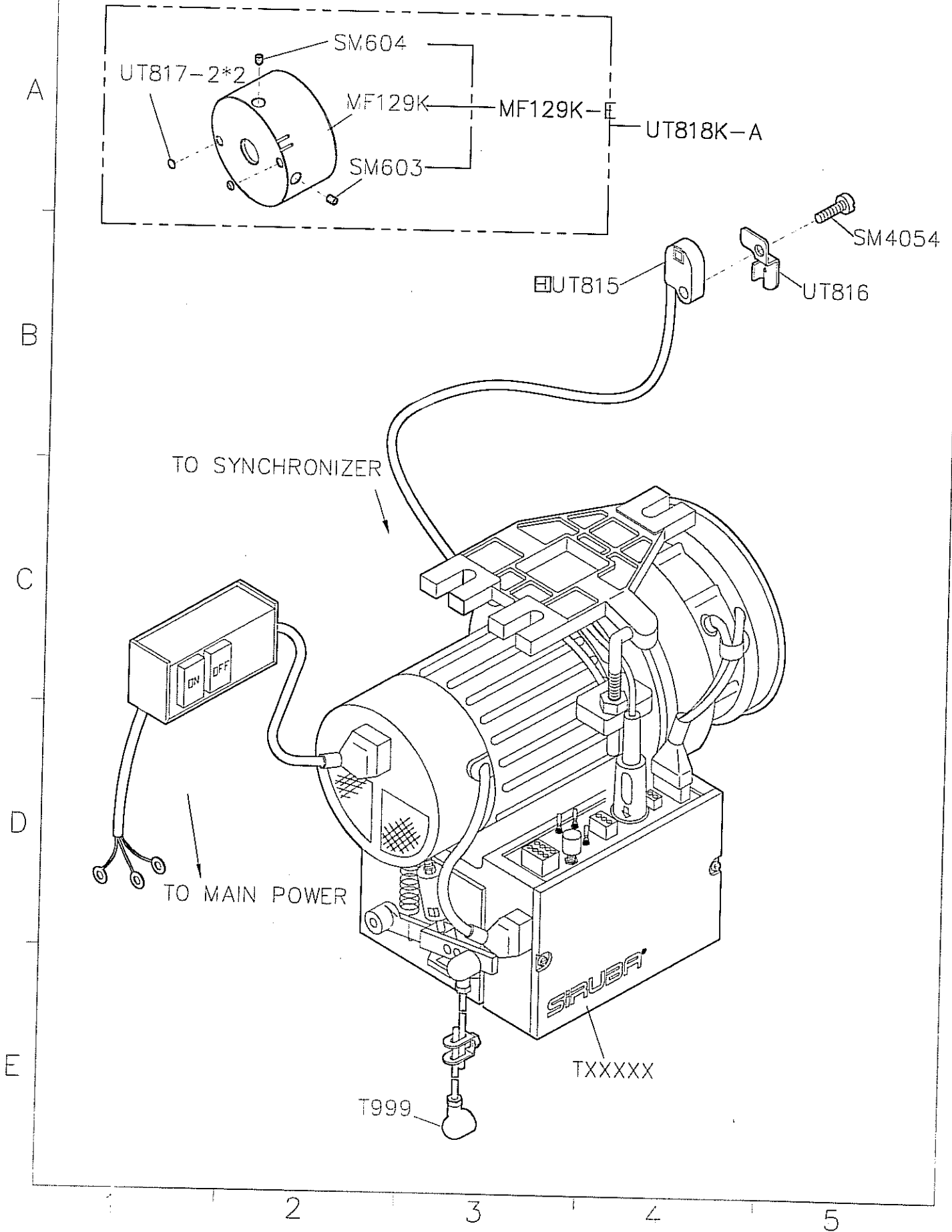
For F007K/F858K
☐ : For H brand motor

Page

10/12

Date

2013/08/06



SIRUBA

PARTS LIST

Series

F007K/F007KD
F858K/F858KD

Parts Group

UTG(UTH)-K

Subclass / Remark

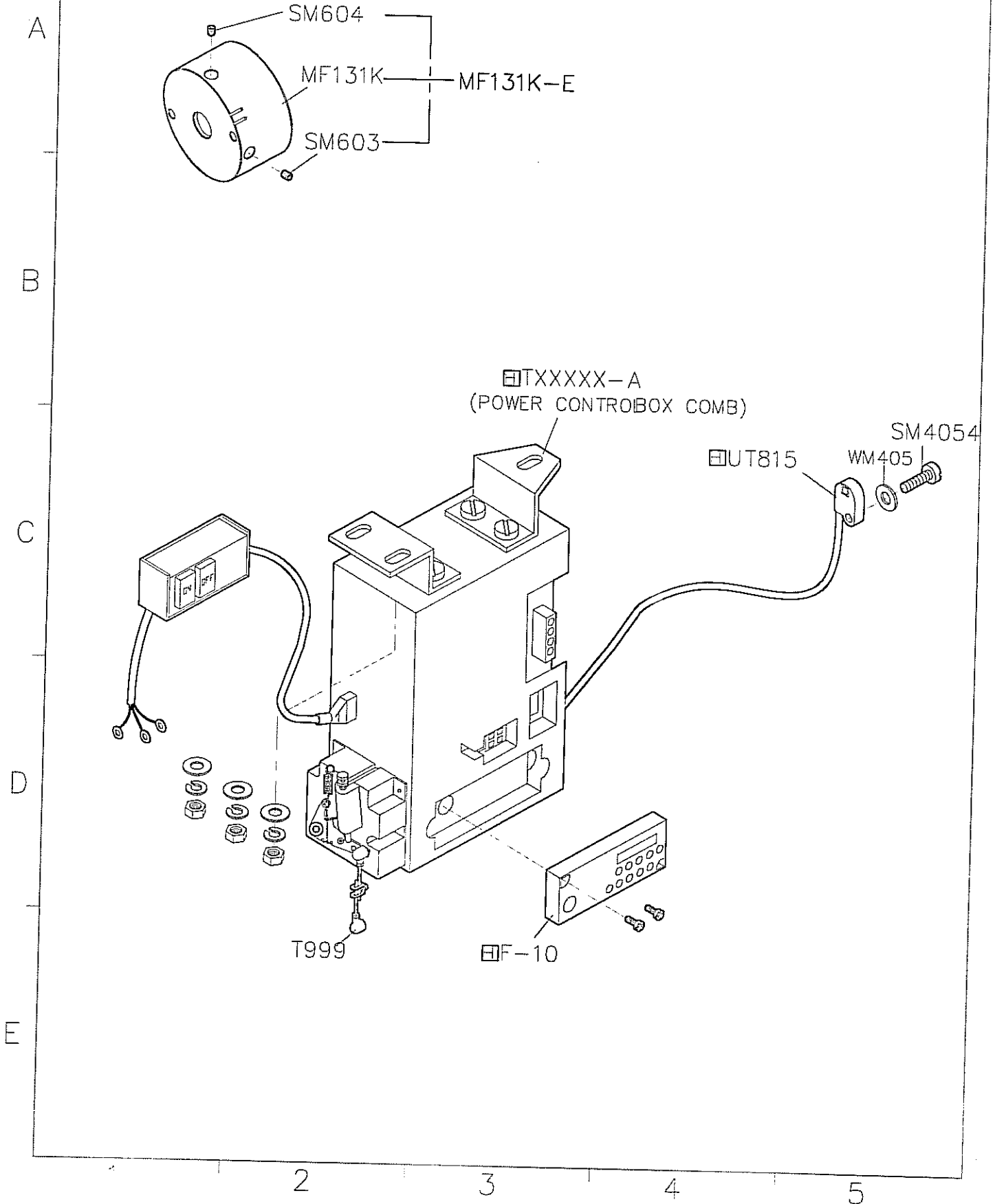
For F007KD/F858KD
☐: For H brand motor(HVP-20)

Page

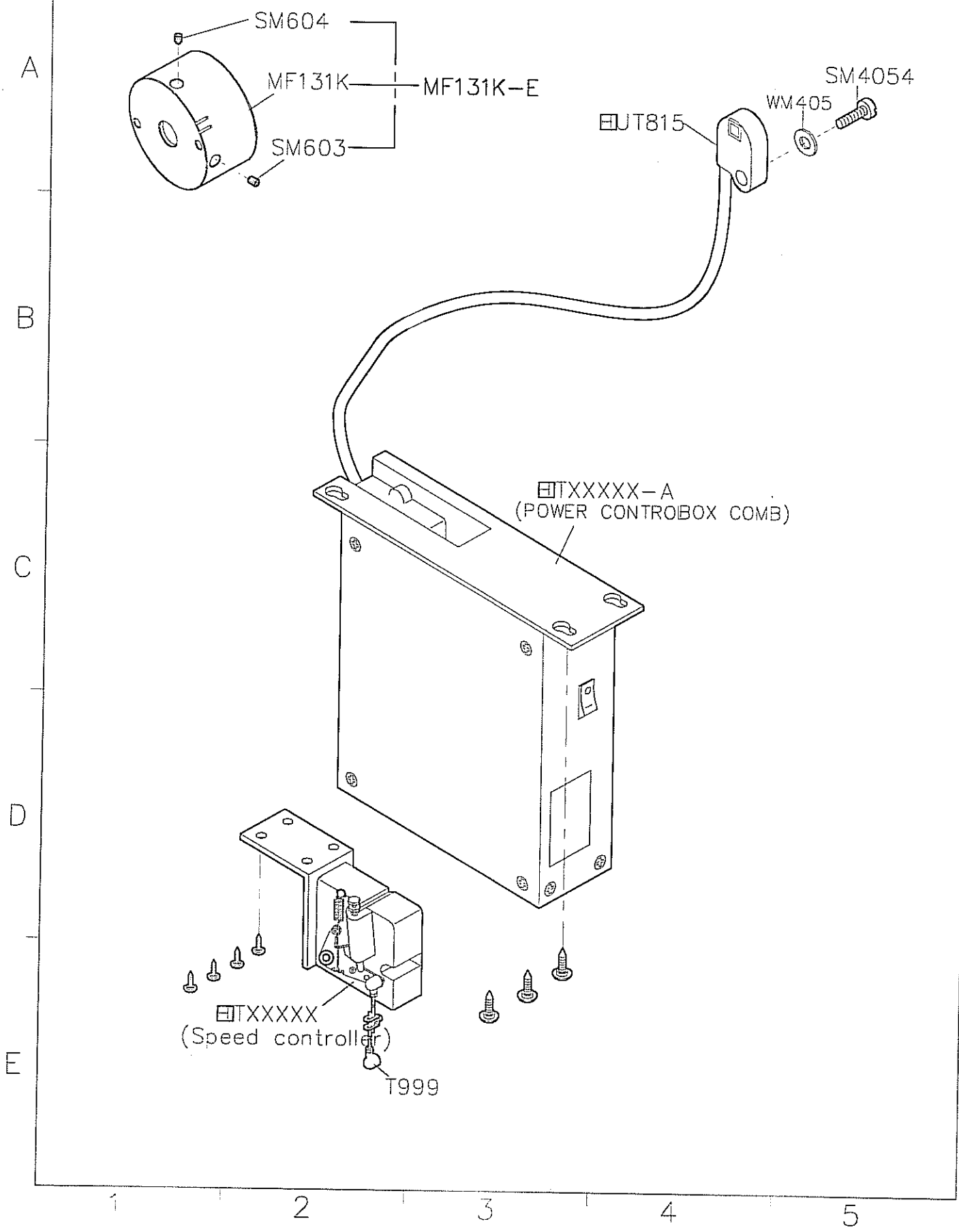
11/12

Date

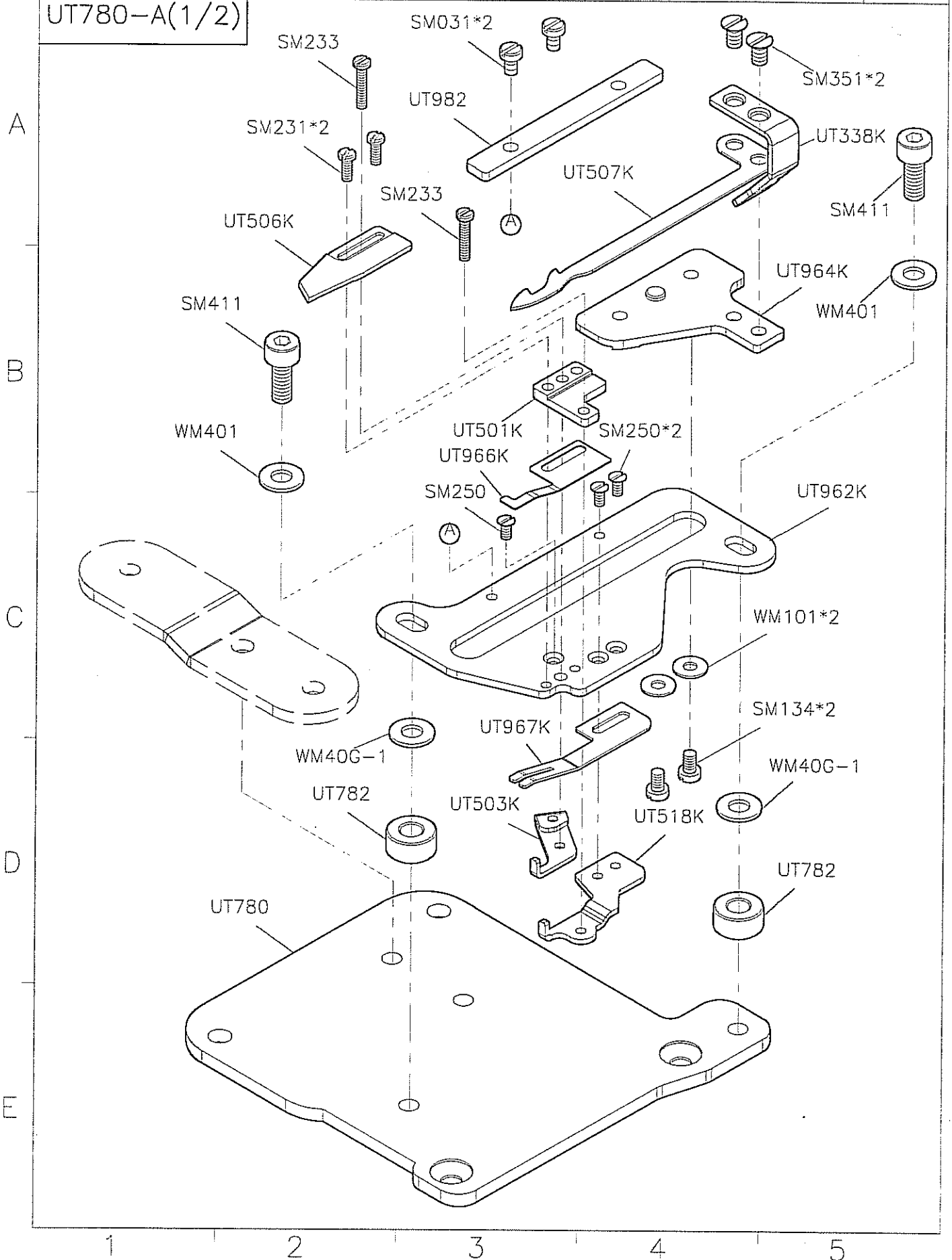
2012/10/31



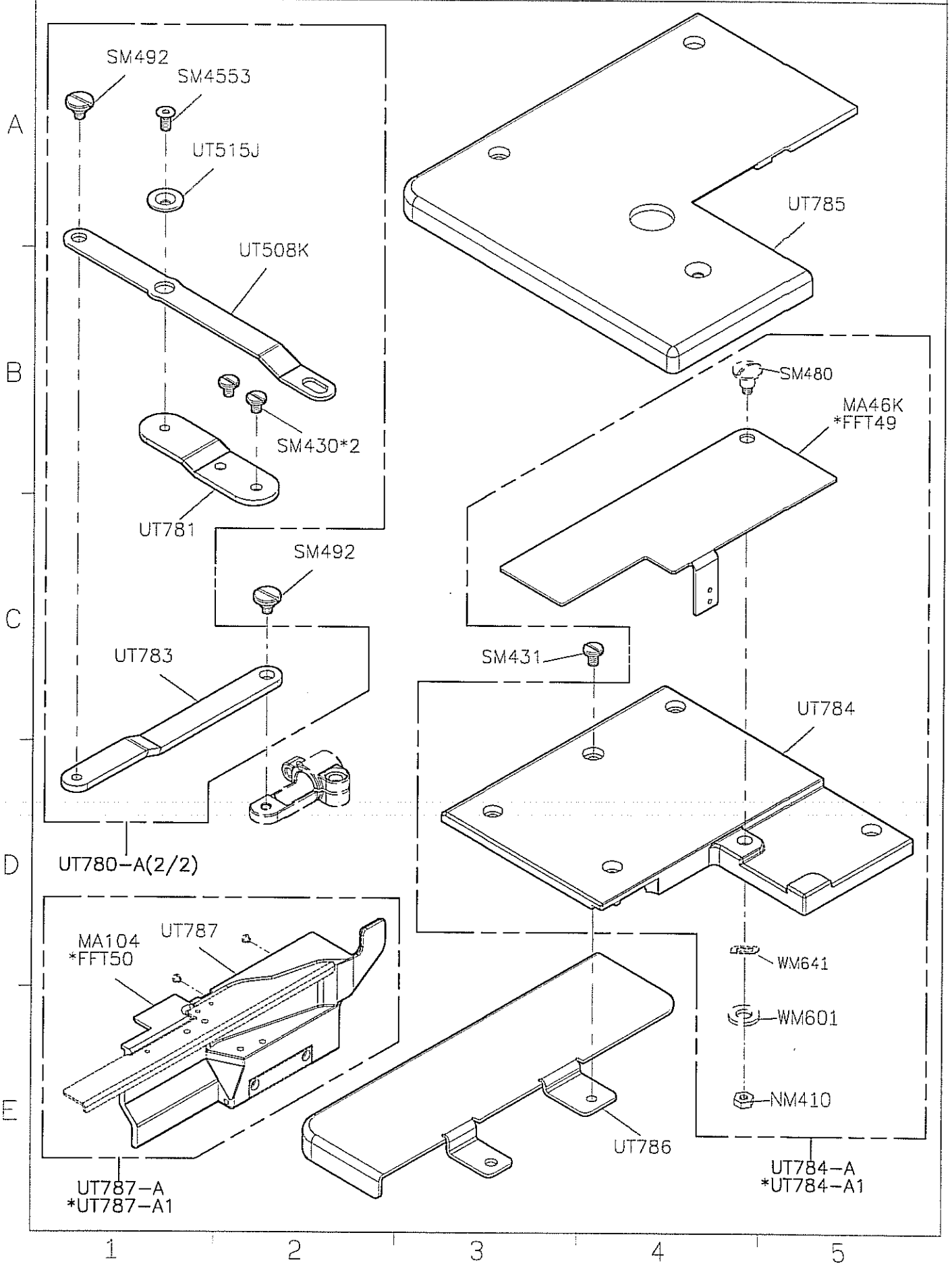
SIRUBA PARTS LIST	Series	Parts Group	Subclass / Remark	Page
	F007K/F007KD F858K/F858KD	UTG(UTH)-K	For F007KD/F858KD ☐ For H brand motor(HVP-70)	12/12
				Date
				2013/08/06



SIRUBA PARTS LIST	F007K/F007KD F858K/F858KD	Parts Group UTJ(UTK)-K	Subclass / Remark	Page 1/13
				Date 2013/08/15
	UT780-A(1/2)			



SIRUBA PARTS LIST	Series	Parts Group	Subclass / Remark	Page
	F007K/F007KD	UTJ(UTK)-K	#Use for F007KD/F858KD/FFT	2/13
	F858K/F858KD			Date
				2013/08/21



SIRUBA

PARTS LIST

Series

F007K/F007KD
F858K/F858KD

Parts Group

UTJ(UTK)-K

Subclass / Remark

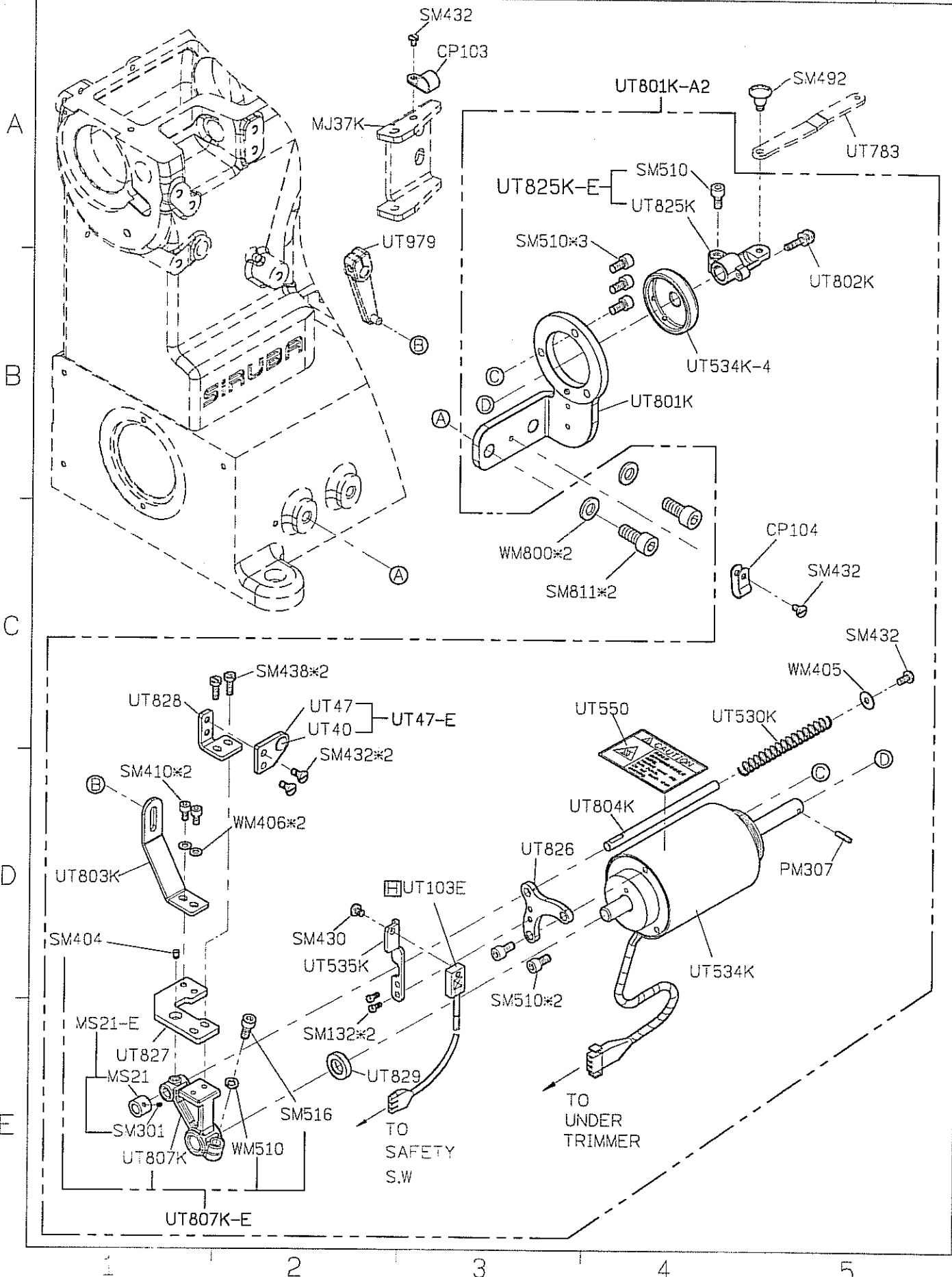
☐ : For H brand motor

Page

3/13

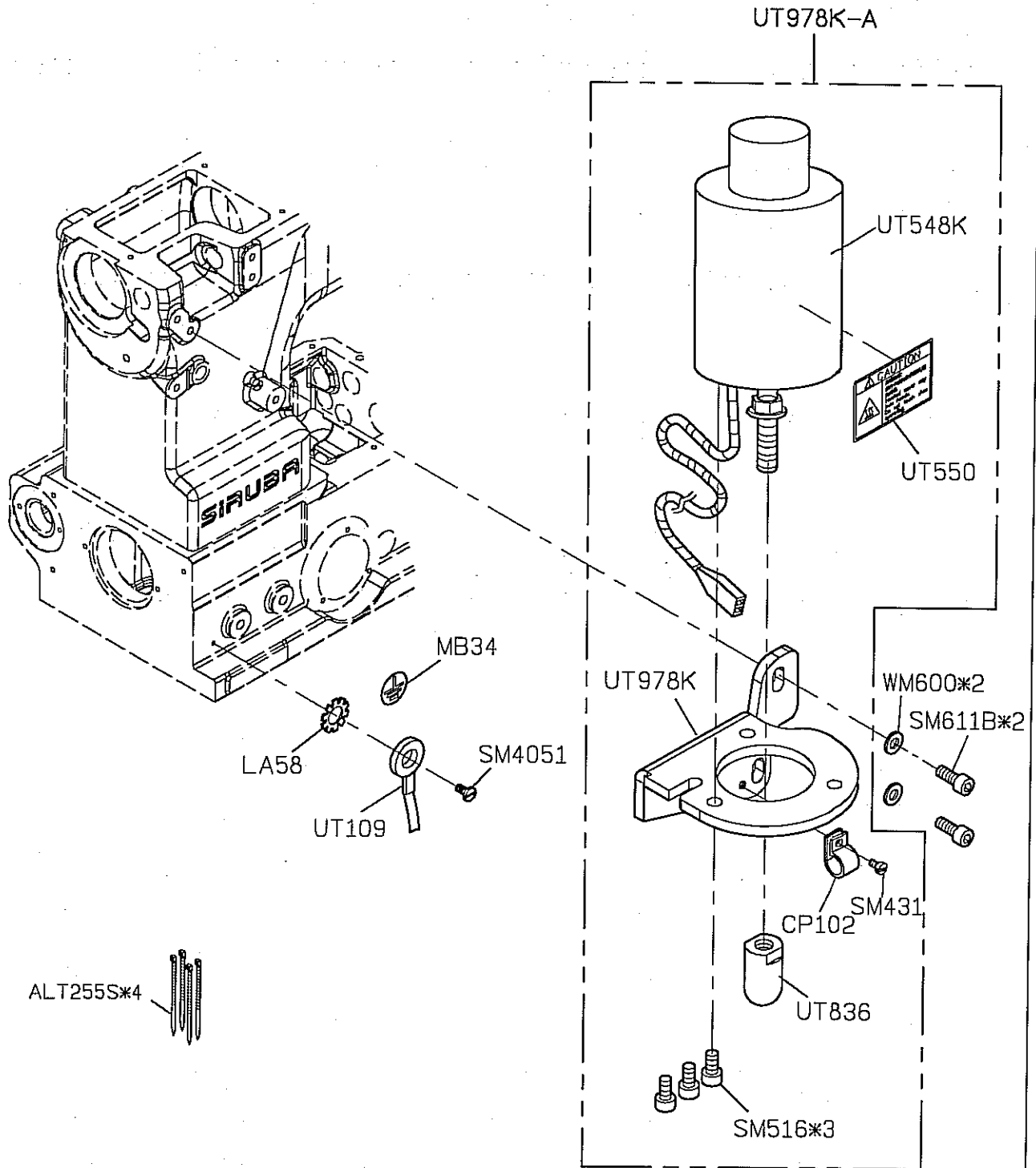
Date

2013/08/06



SIRUBA PARTS LIST	Series	Parts Group	Subclass / Remark	Page
	F007K/F007KD	UTJ(UTK)-K		4/13
	F858K/F858KD			Date
				2014/02/19

A
B
C
D
E



- UT978K-A
- UT548K
- UT550
- UT978K
- WM600*2
- SM611B*2
- LA58
- MB34
- SM4051
- UT109
- CP102
- SM431
- UT836
- SM516*3
- ALT255S*4

1 2 3 4 5

SIRUBA

PARTS LIST

Series

F007K/F007KD
F858K/F858KD

Parts Group

UTJ(UTK)-K

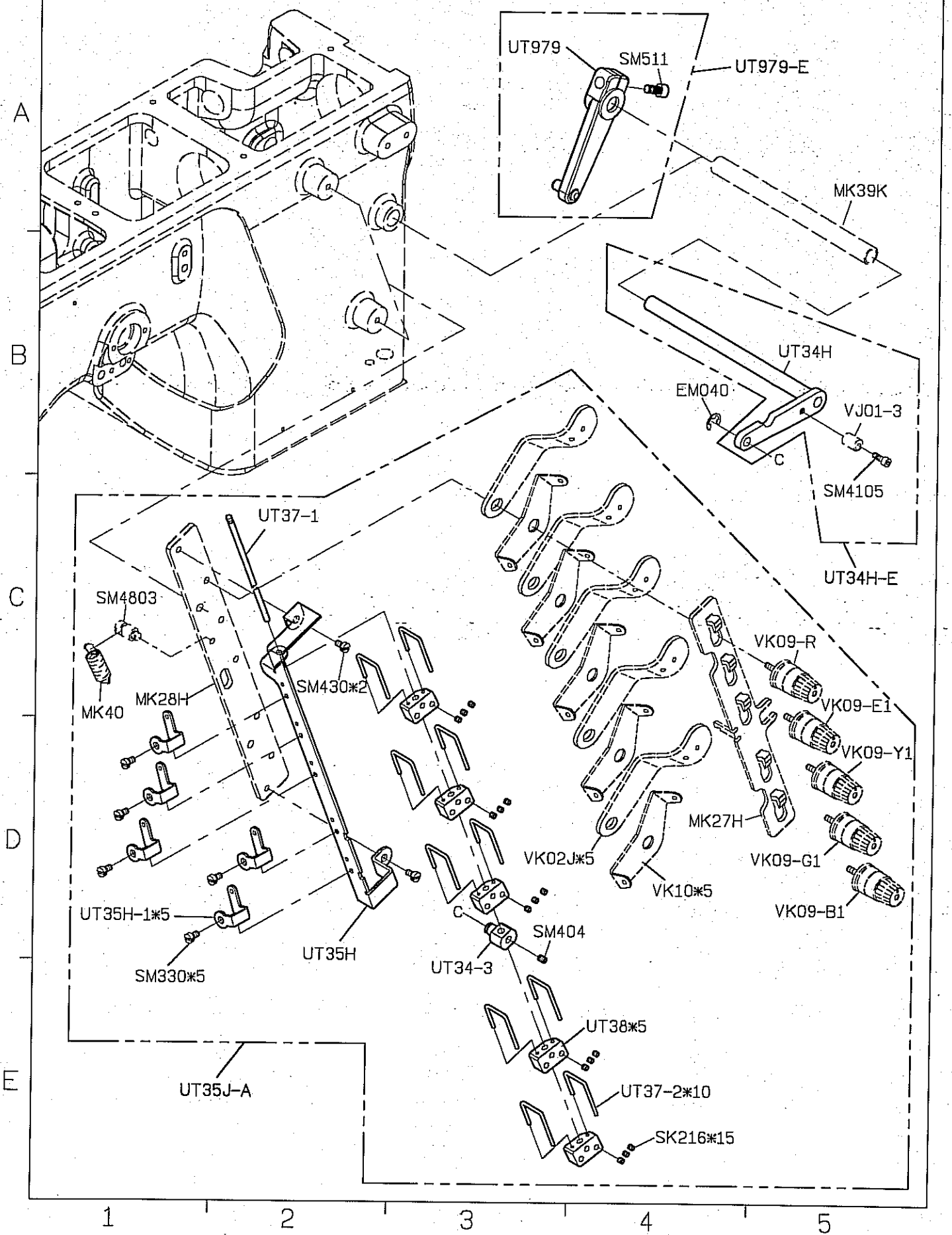
Subclass / Remark

Page

5/13

Date

2013/1016



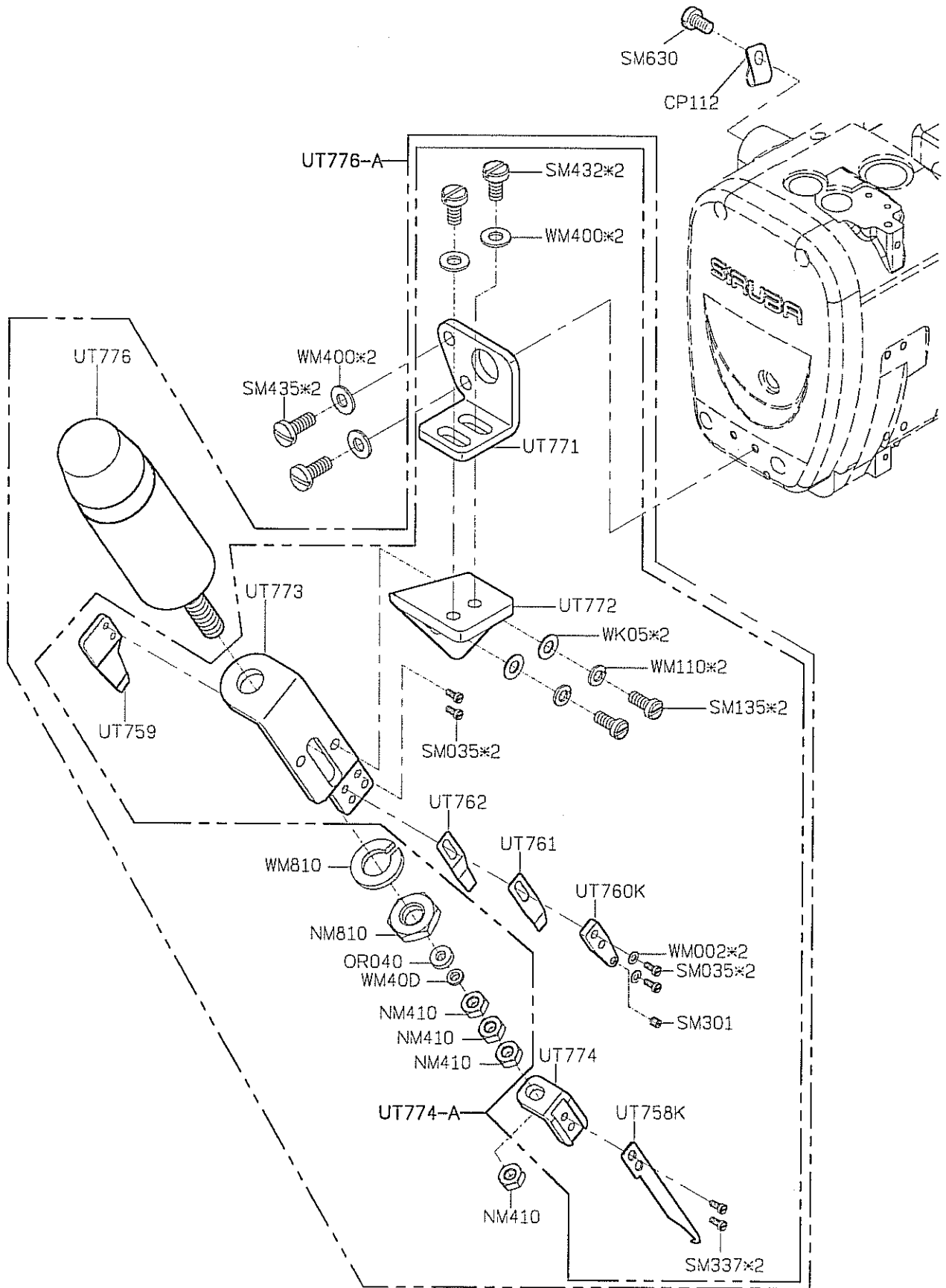
A

B

C

D

E



1

2

3

4

5

SIRUBA

PARTS LIST

Series

F007K/F007KD
F858K/F858KD

Parts Group

UTK-K

Subclass / Remark

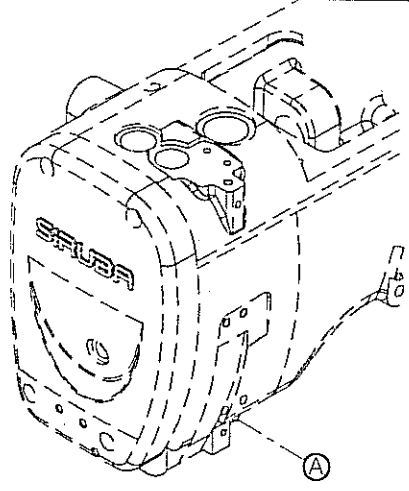
Page

7/13

Date

2013/08/06

A



WP51-A2

B

UT777

WP51-A

C

SM418*2

WP55

WP51

WP42

WP41K

SM130

D

WM810

NM810

OR040

WM40D

NM410

NM410

SM330

WM301

SM030

WP54

NM410

SM4553B*2

SM4306

WP32

WP56

WM402*2

WM402*2

SM410*2

E

WP34K

WP53

SM4831

WP32

WP36

BC715

1

2

3

4

5

SIRUBA

PARTS LIST

F007K/F007KD
F858K/F858KD

Parts Group
UTJ(UTK)-K

Subclass / Remark
For F007K/F858K
☐ : For H brand motor

Page
8/13
Date
2012/10/31

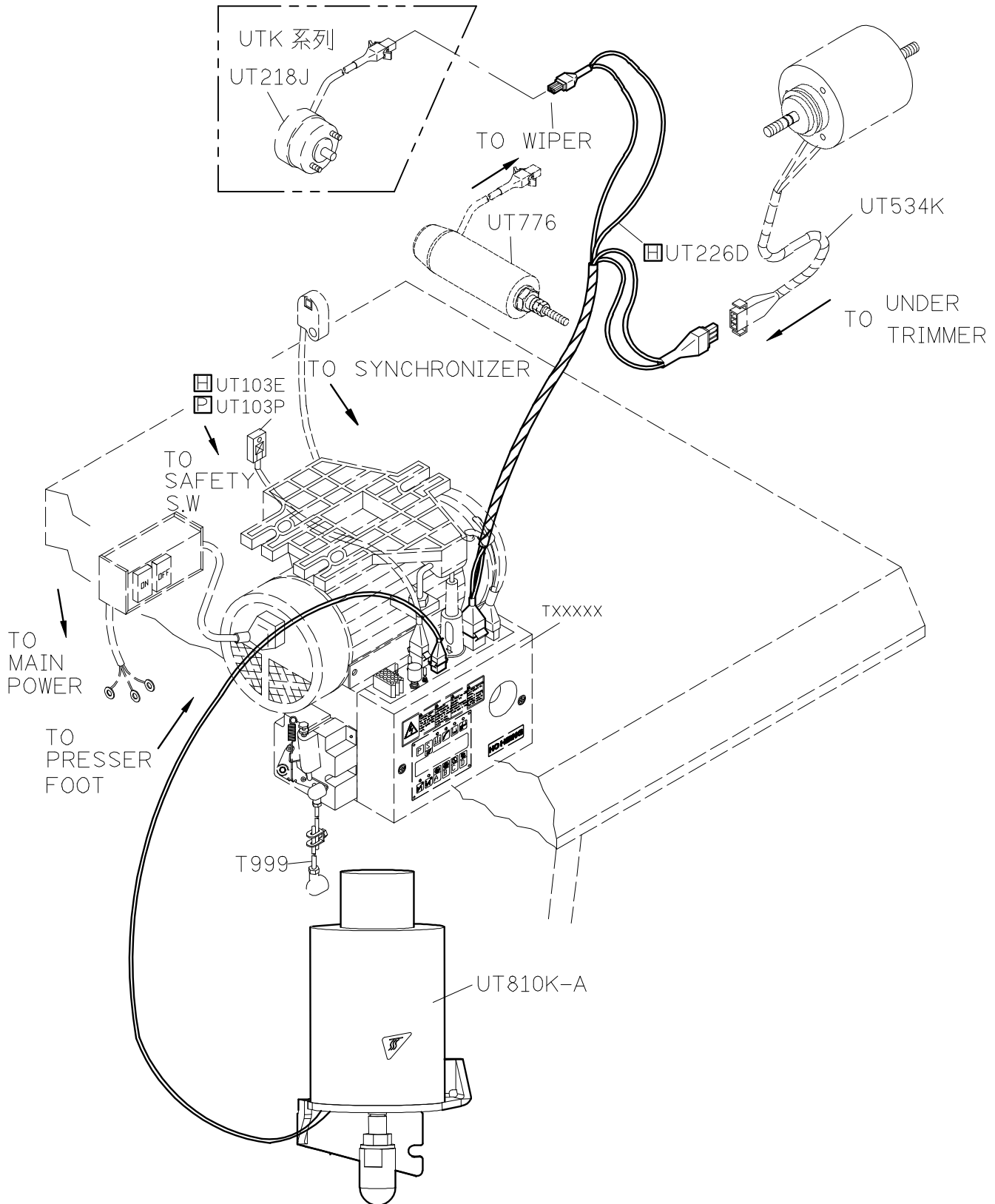
A

B

C

D

E



SIRUBA

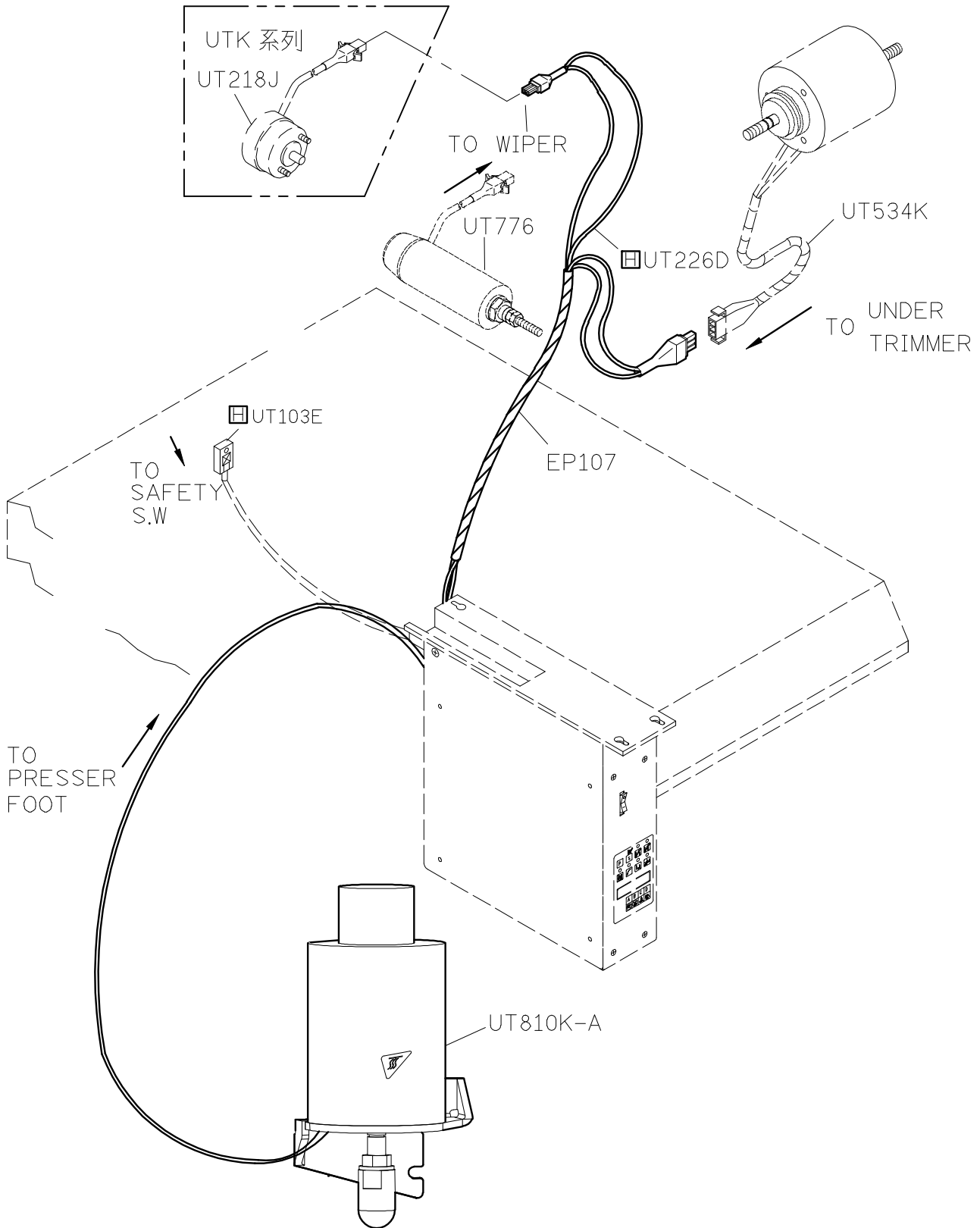
PARTS LIST

F007K/F007KD
F858K/F858KD

Parts Group
UTJ(UTK)-K

Subclass / Remark
For F007KD/F858KD
☐ : For H brand motor

Page
9/13
Date
2012/10/31



SIRUBA

PARTS LIST

F007K/F007KD
F858K/F858KD

Parts Group
UTJ(UTK)-K

Subclass / Remark
For F007KD/F858KD
☐ : For H brand motor

Page
10/13
Date
2012/10/31

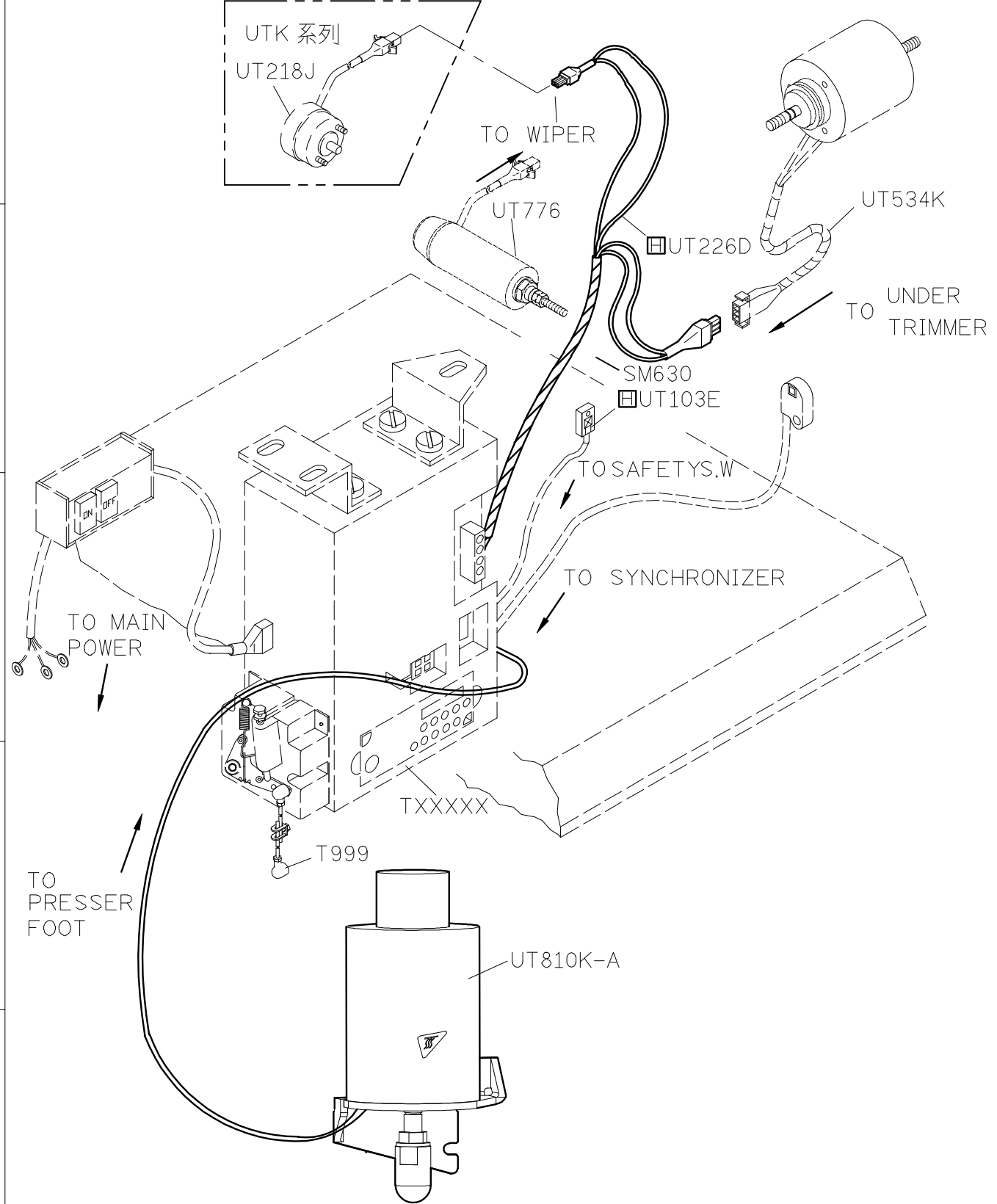
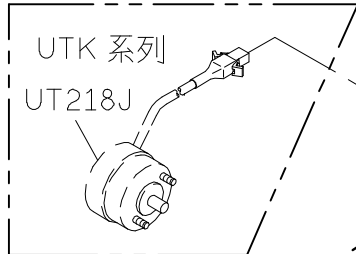
A

B

C

D

E



SIRUBA

PARTS LIST

F007K/F007KD
F858K/F858KD

Parts Group
UTJ(UTK)-K

Subclass / Remark
For **F007K/F858K**
☐ : For H brand motor

Page
11/13
Date
2012/10/31

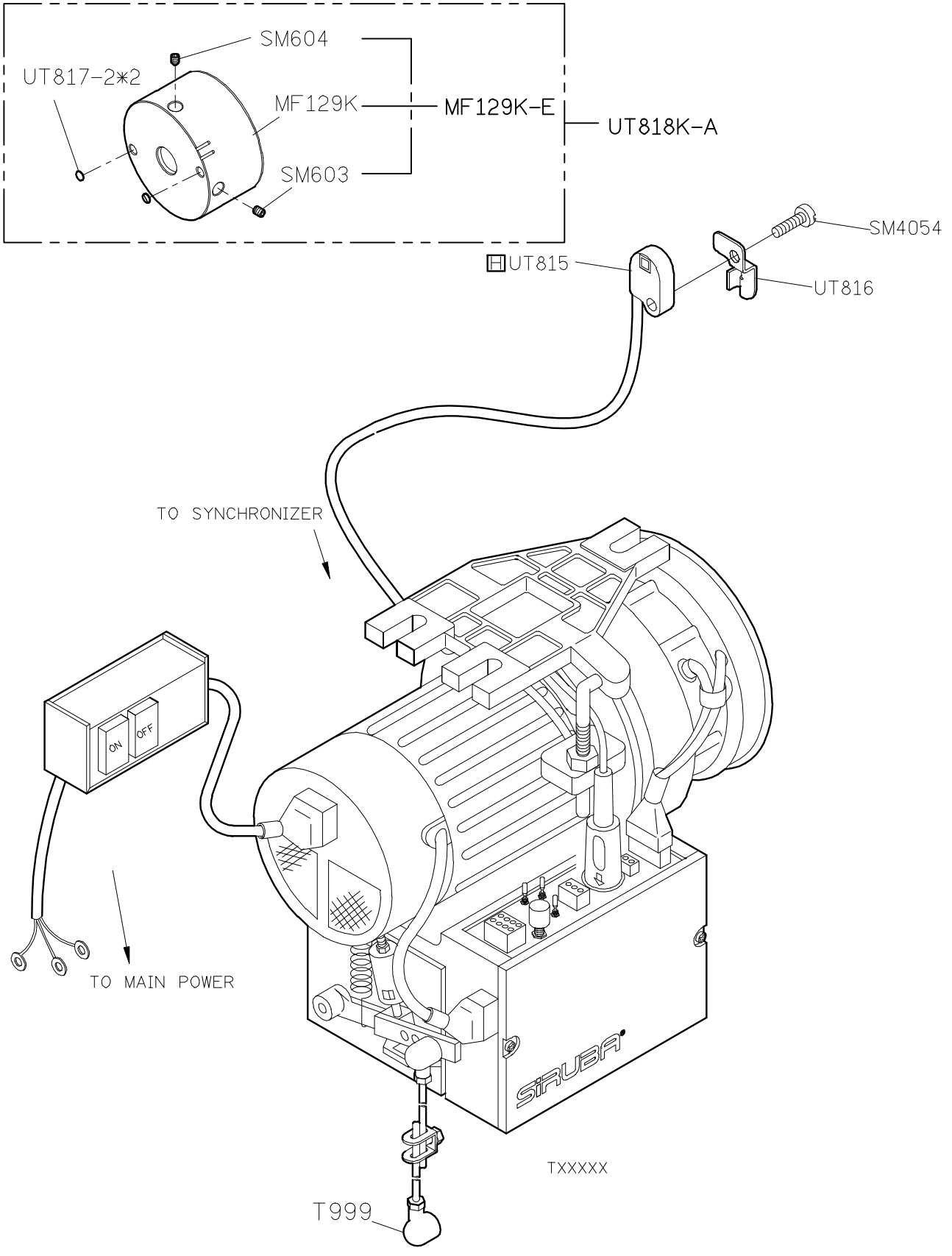
A

B

C

D

E



SIRUBA

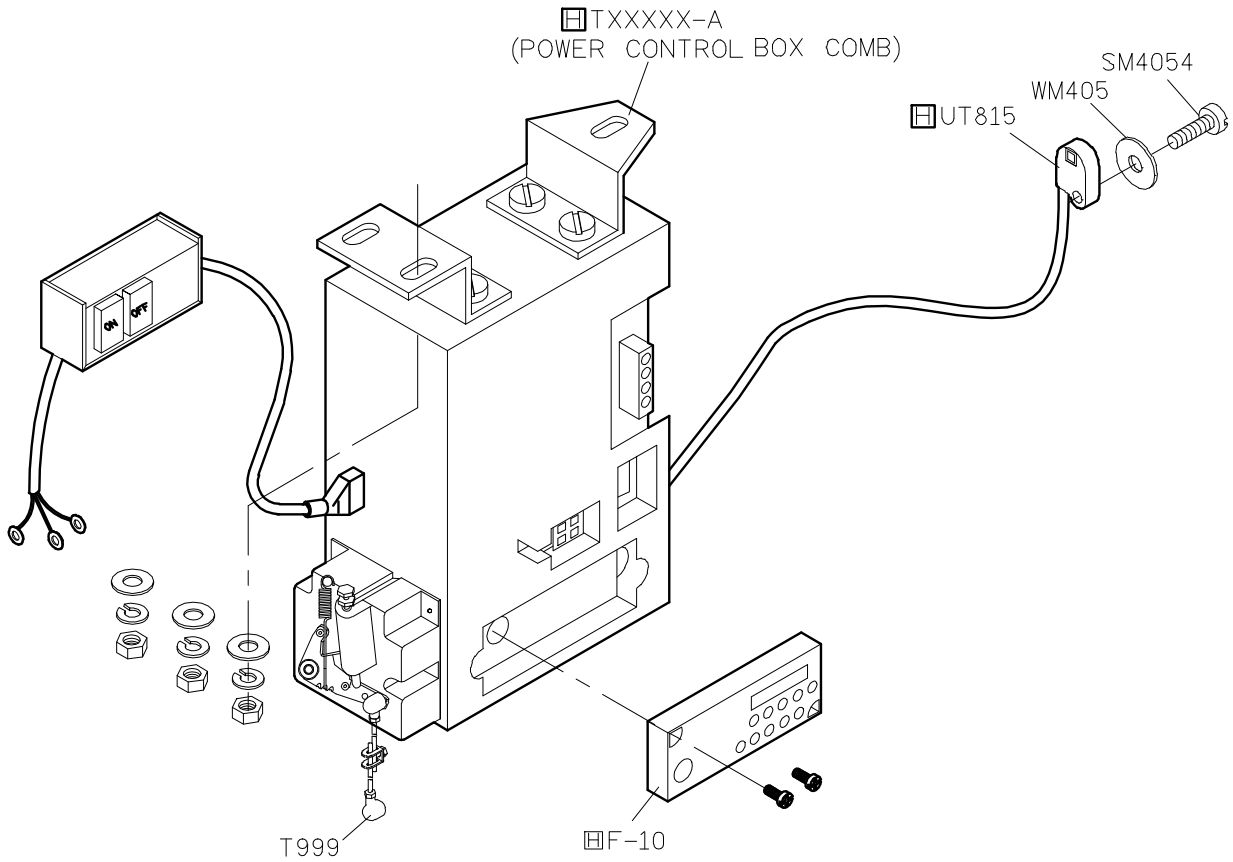
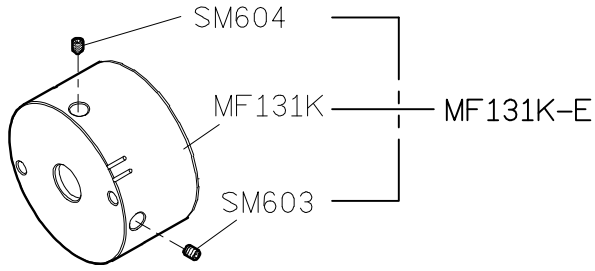
PARTS LIST

F007K/F007KD
F858K/F858KD

Parts Group
UTJ(UTK)-K

Subclass / Remark
For F007KD/F858KD
☐ For H brand motor(HVP-70)

Page
12/13
Date
2012/10/31



1

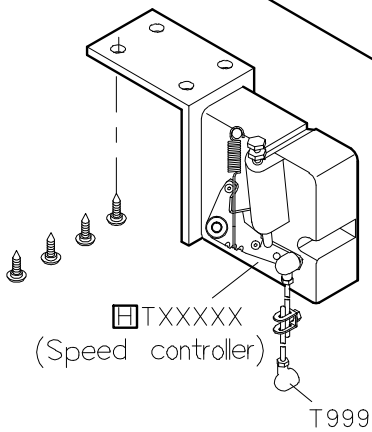
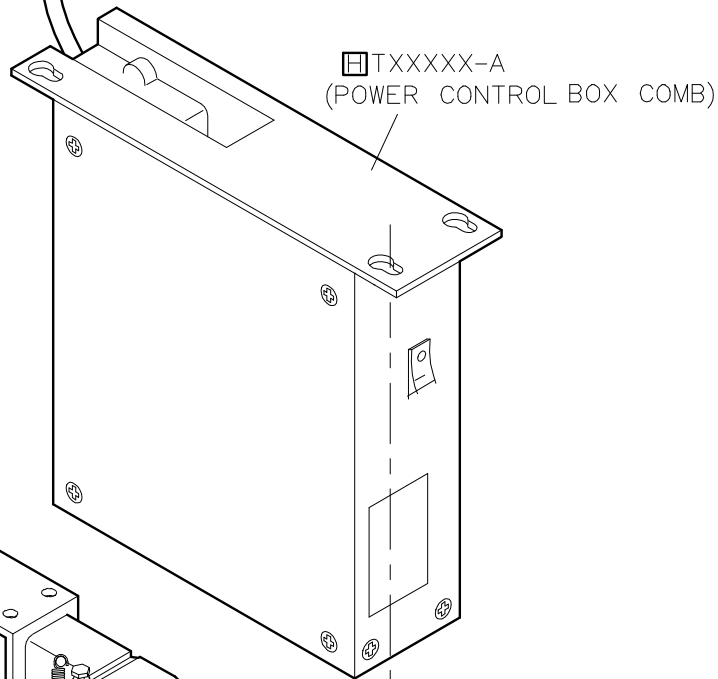
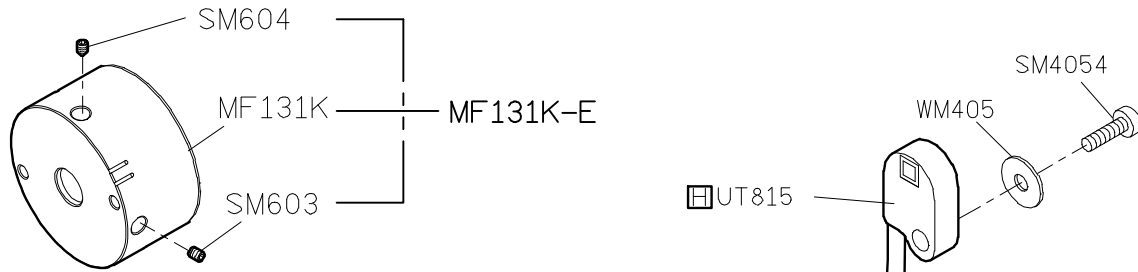
2

3

4

5

SIRUBA PARTS LIST	Series	Parts Group	Subclass / Remark	Page
	F007K/F007KD	UTJ(UTK)-K	For F007KD/F858KD	13/13
	F858K/F858KD		☐: For H brand motor(HVP-70)	Date
				2012/10/31



1

2

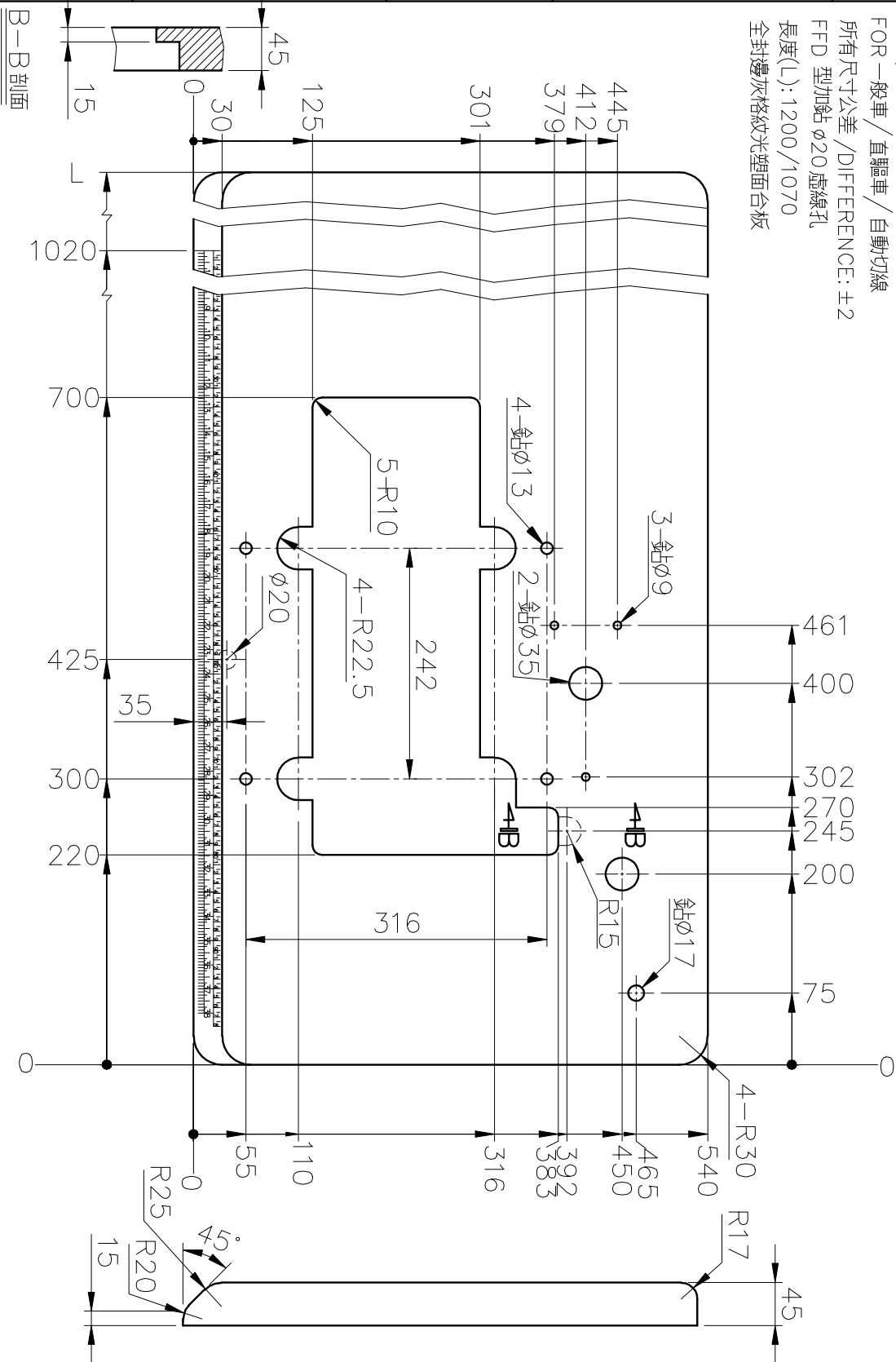
3

4

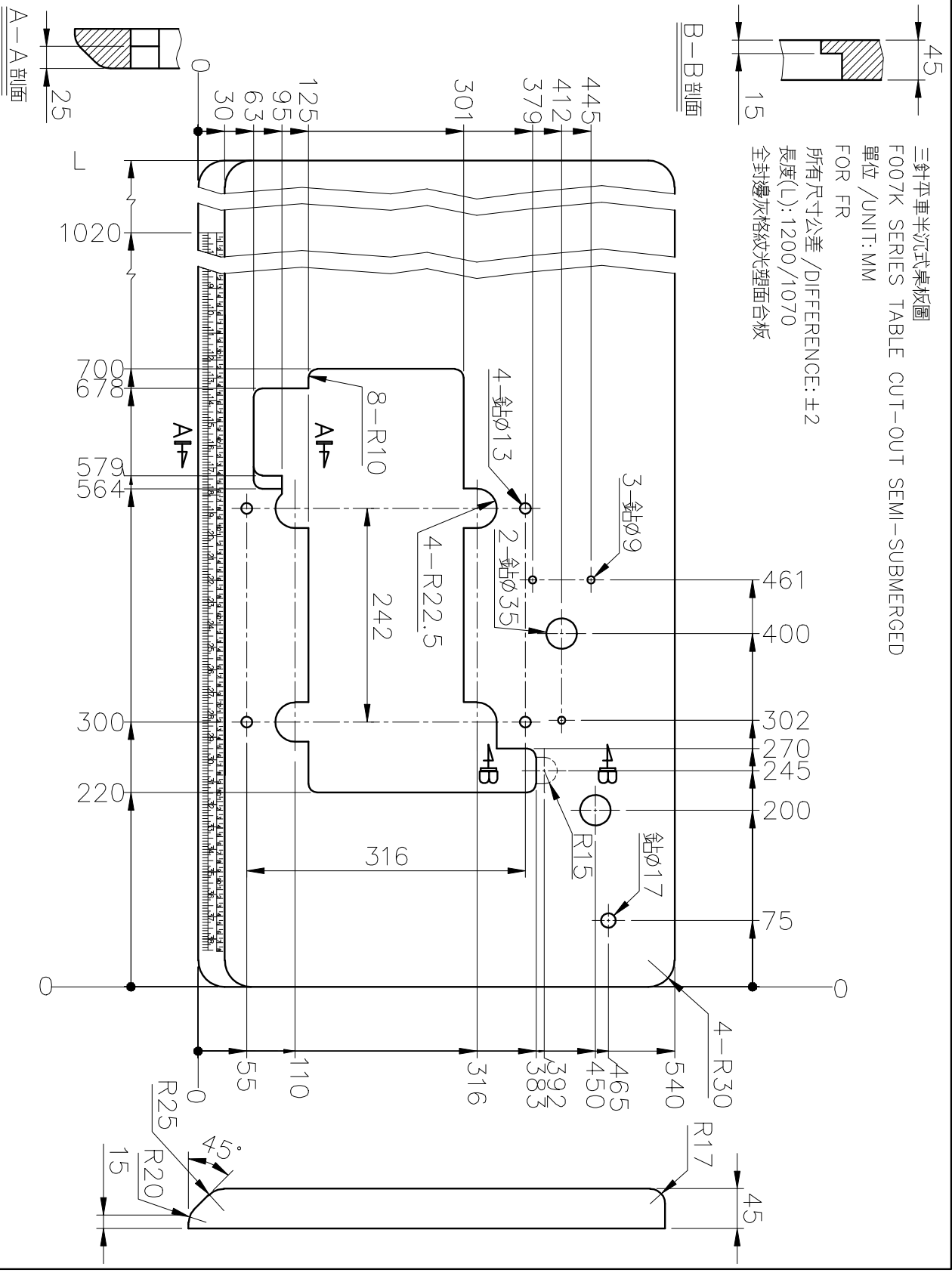
5

SIRUBA TABLE CUT - OUT	Series	Item Code	Subclass / Remark	Mounting
	F007K/F007KD F858K/F858KD	F007K-T	For All Series excluding FR,FHK models	Semi-submerged
				Date 2013/01/26

三針平車半沉式桌板圖
 F007K /KD F858K /KD SERIES TABLE CUT-OUT SEMI-SUBMERGED
 單位 /UNIT: MM
 FOR 一般車 / 直驅車 / 自動切線
 所有尺寸公差 /DIFFERENCE: ±2
 FFD 型加鉗 $\phi 20$ 虛線孔
 長度(L): 1200/1070
 全封邊灰格紋光理面台板



SIRUBA TABLE CUT - OUT	Series	Item Code	Subclass / Remark	Mounting
	F007K/F007KD F858K/F858KD	F007K-T1	For All Series	Semi-submerged
				Date 2012/10/16

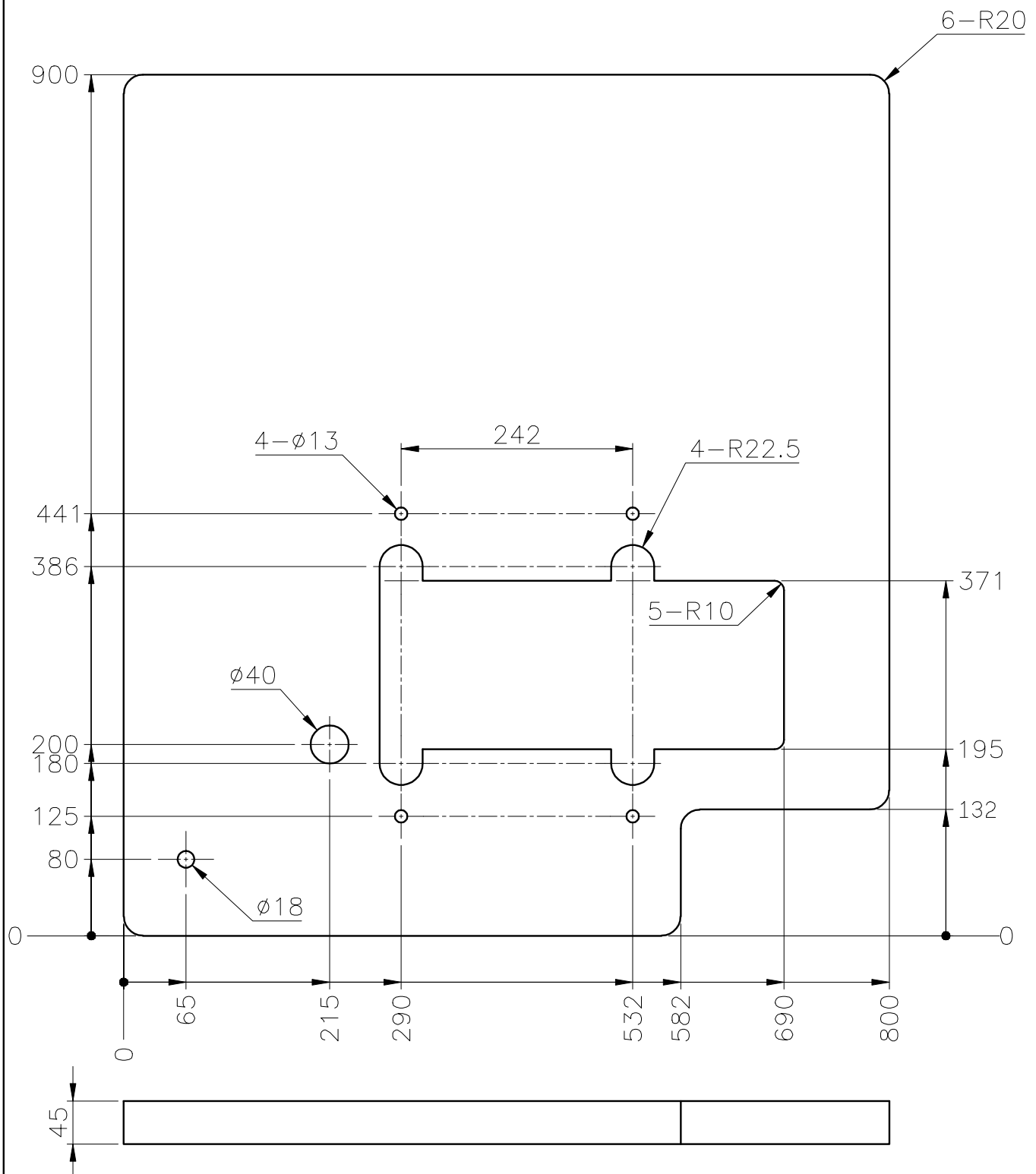


SIRUBA**TABLE
CUT - OUT****Series****F007KD****Item Code****F007K-T2****Subclass / Remark****For FHK Model****Mounting****Semi-submerged****Date****2012/08/20**

單位/UNIT : mm

重量/WEIGHT: 16.5kg±5%

所有尺寸公差/TOLERANCE : ±2



SIRUBA
TABLE
CUT - OUT

Series
F007K/F007KD
F858K/F858KD

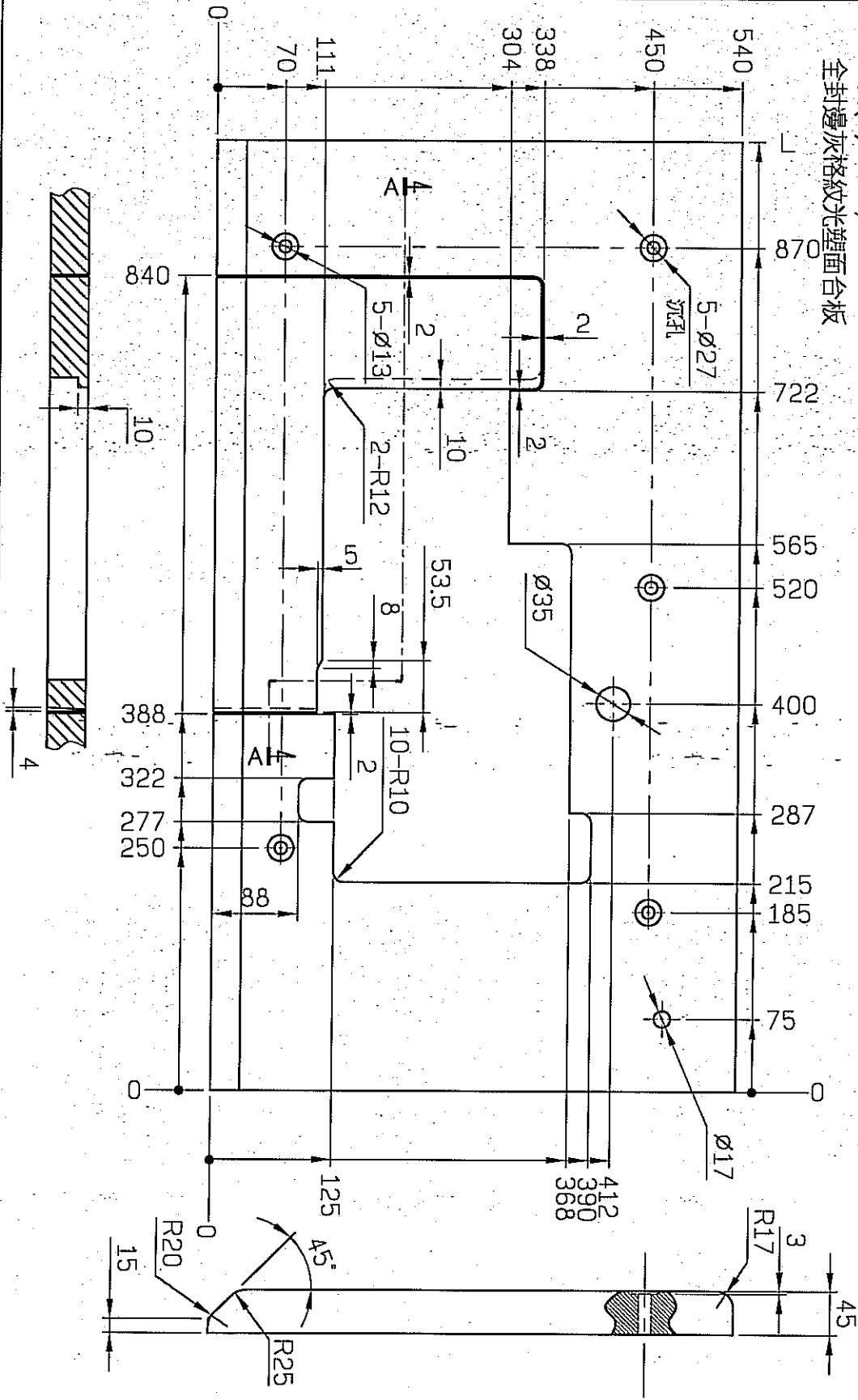
Item Code
F007K-T3-1

Subclass / Remark
For All Series

Mounting
Fully-submerged
Date
2013/11/06

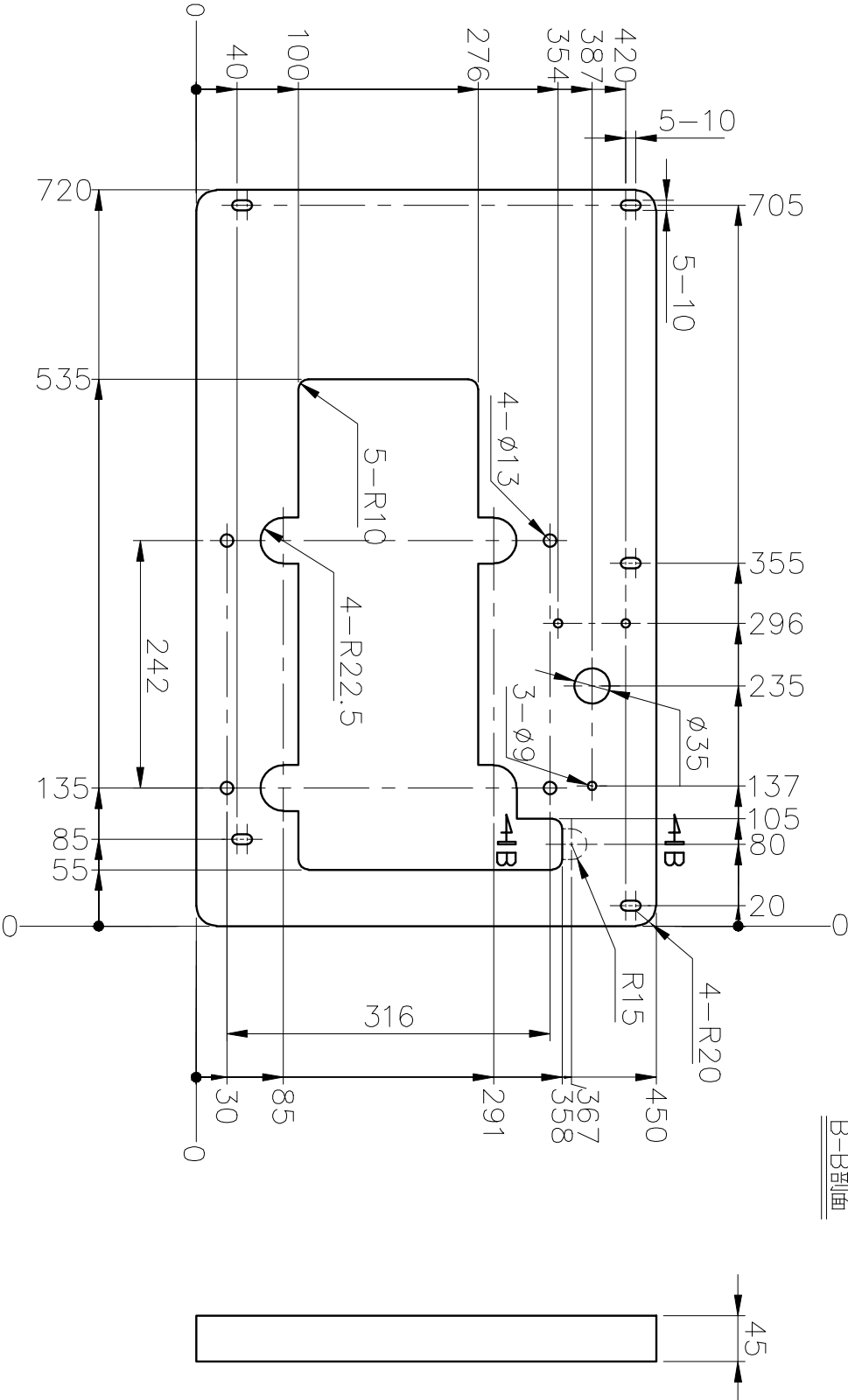
三針平車全沉式桌板圖
F007K SERIES TABLE CUT-OUT SUBMERGED
單位/UNIT:MM

FOR一般車 / 直驅車 / 自動切線
所有尺寸公差 / DIFFERENCE:±2
長度(L):1200/1070
全封邊灰格紋光塑面台板



SIRUBA TABLE CUT - OUT	Series	Item Code	Subclass / Remark	Mounting
	F007K/F007KD F858K/F858KD	F007K-T3-2	For All Series	Fully-submerged
				Date
				2013/01/26

三針平車全沉式桌板圖
 F007K SERIES TABLE CUT-OUT SUBMERGED
 單位/UNIT:MM
 FOR 一般車 / 直驅車 / 自動切線
 所有尺寸公差 / DIFFERENCE: ±2
 全封邊夾格紋光塑面台板



SIRUBA TABLE CUT - OUT	Series	Item Code	Subclass / Remark	Mounting
	F007K/F007KD F858K/F858KD	F007K-T3-3	For All Series	Fully-submerged
				Date
				2013/01/26

三針平車全沉式桌板圖
 F007K SERIES TABLE CUT-OUT SUBMERGED
 單位/UNIT:MM
 FOR一般車 / 直驅車 / 自動切線
 所有尺寸公差 / DIFFERENCE:±2
 全封邊灰格紋光塑面台板

